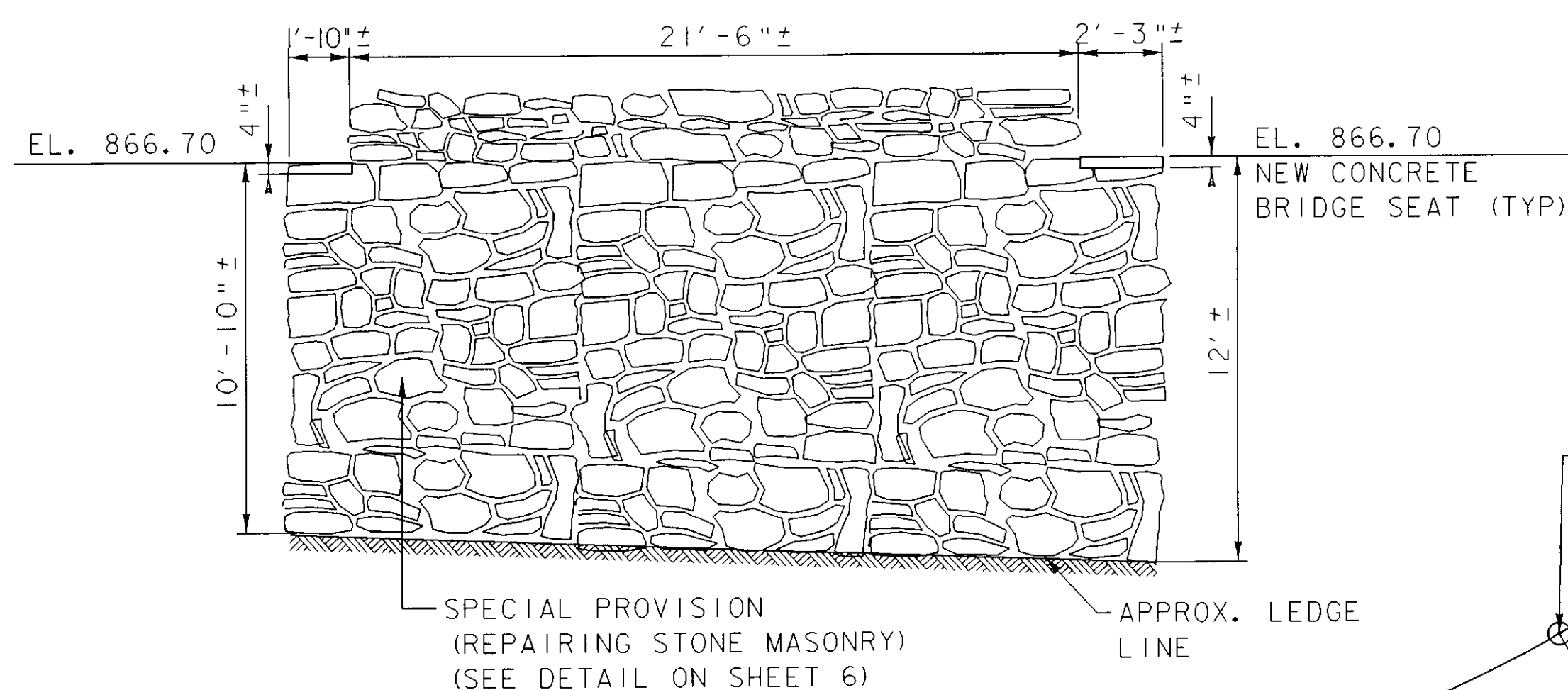
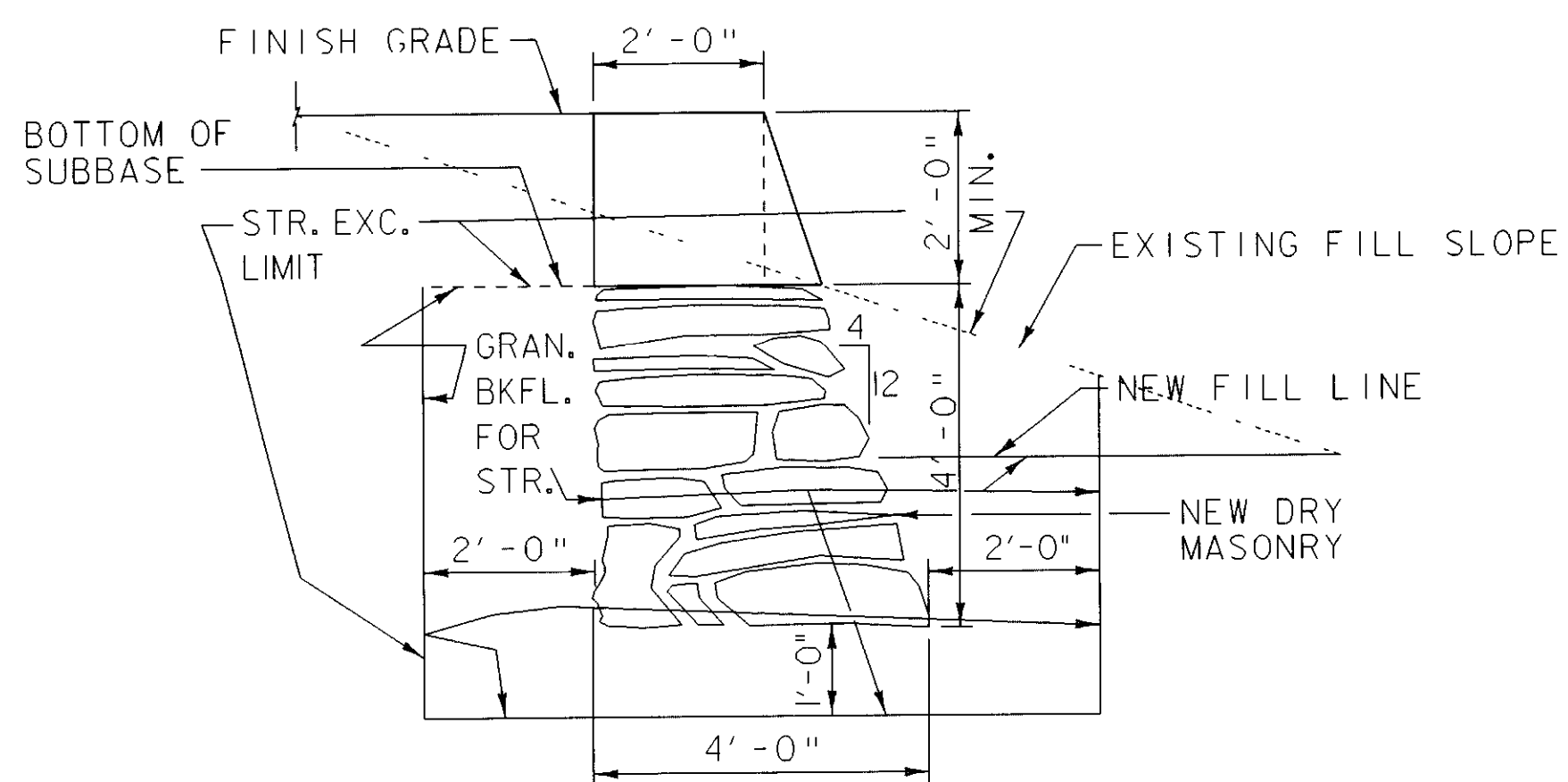


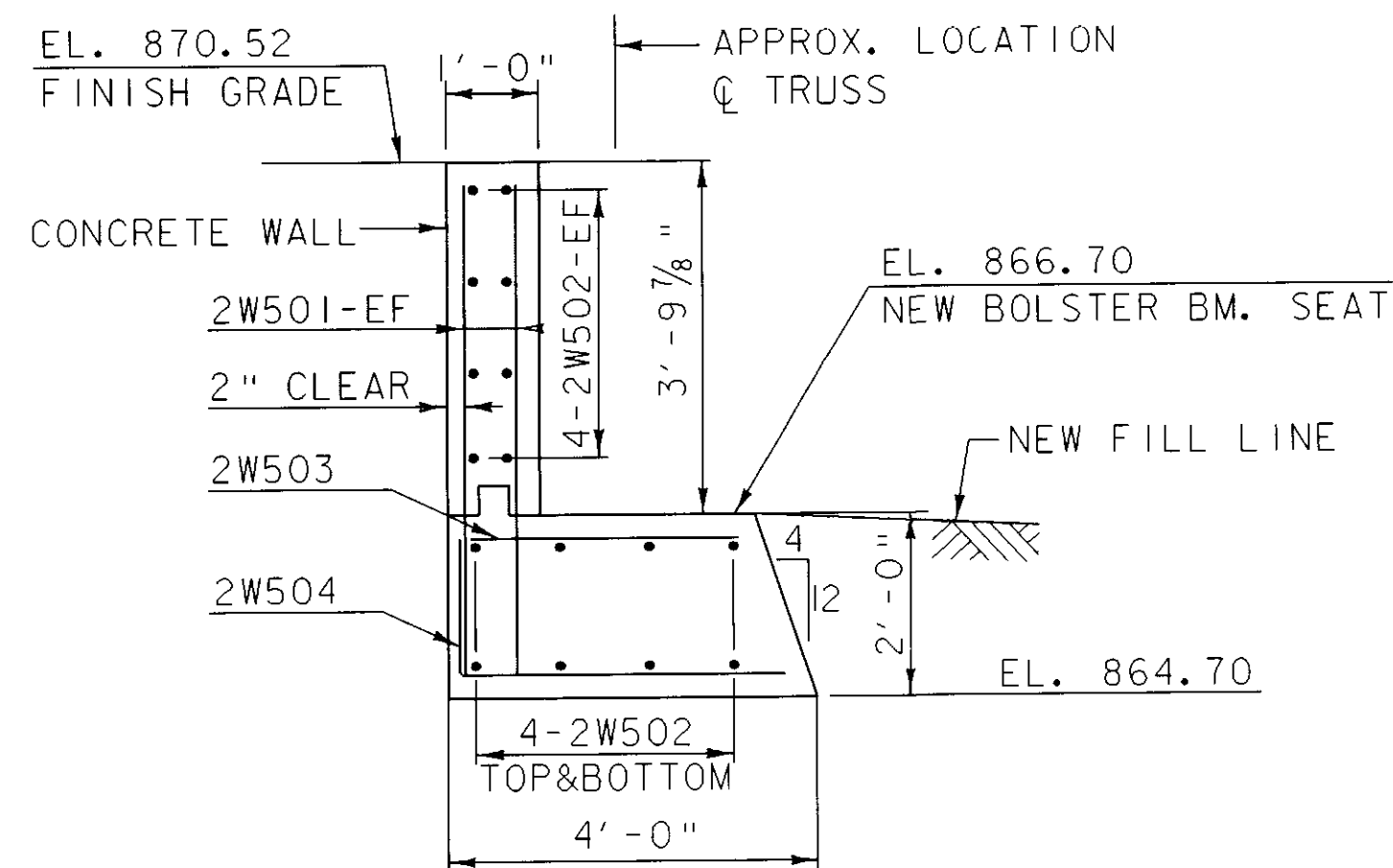
ELEVATION LOWER SOUTHEAST WING
SCALE: 1/4" = 1'-0"



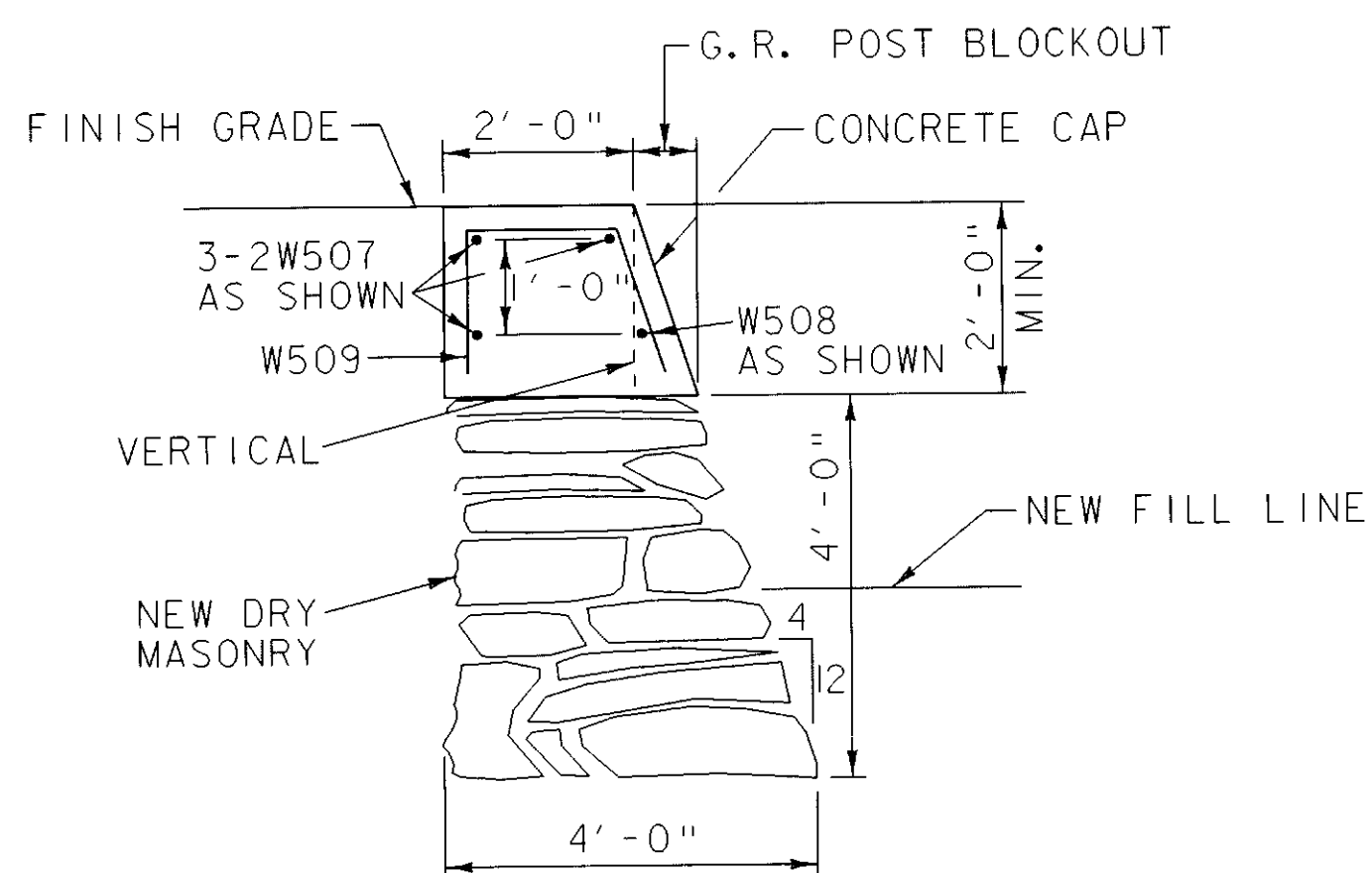
ELEVATION SOUTH ABUTMENT
SCALE: 1/4" = 1'-0"



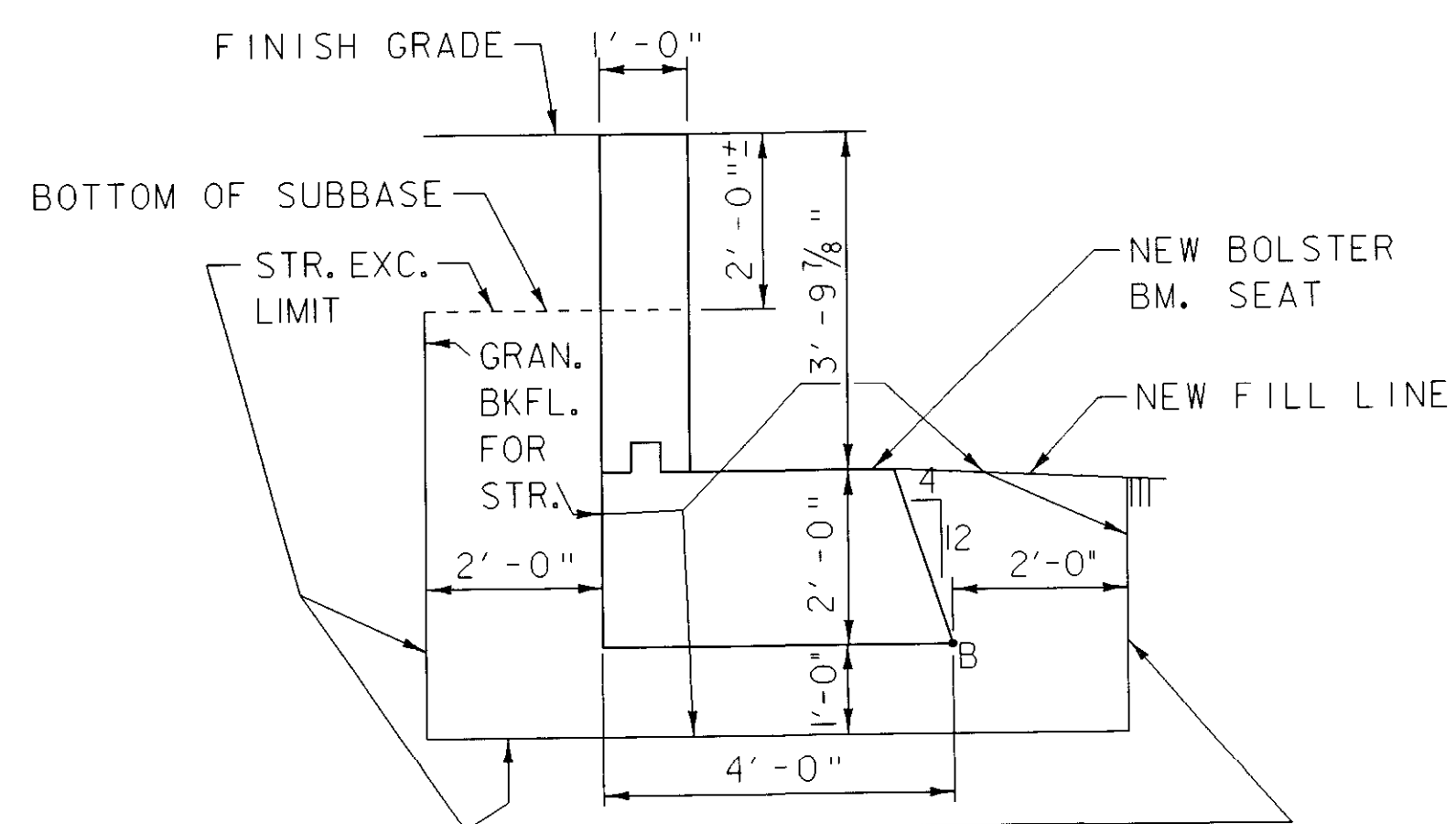
TYPICAL EARTHWORK SECTION UPPER S.E. WING
SCALE: 1/2" = 1'-0"



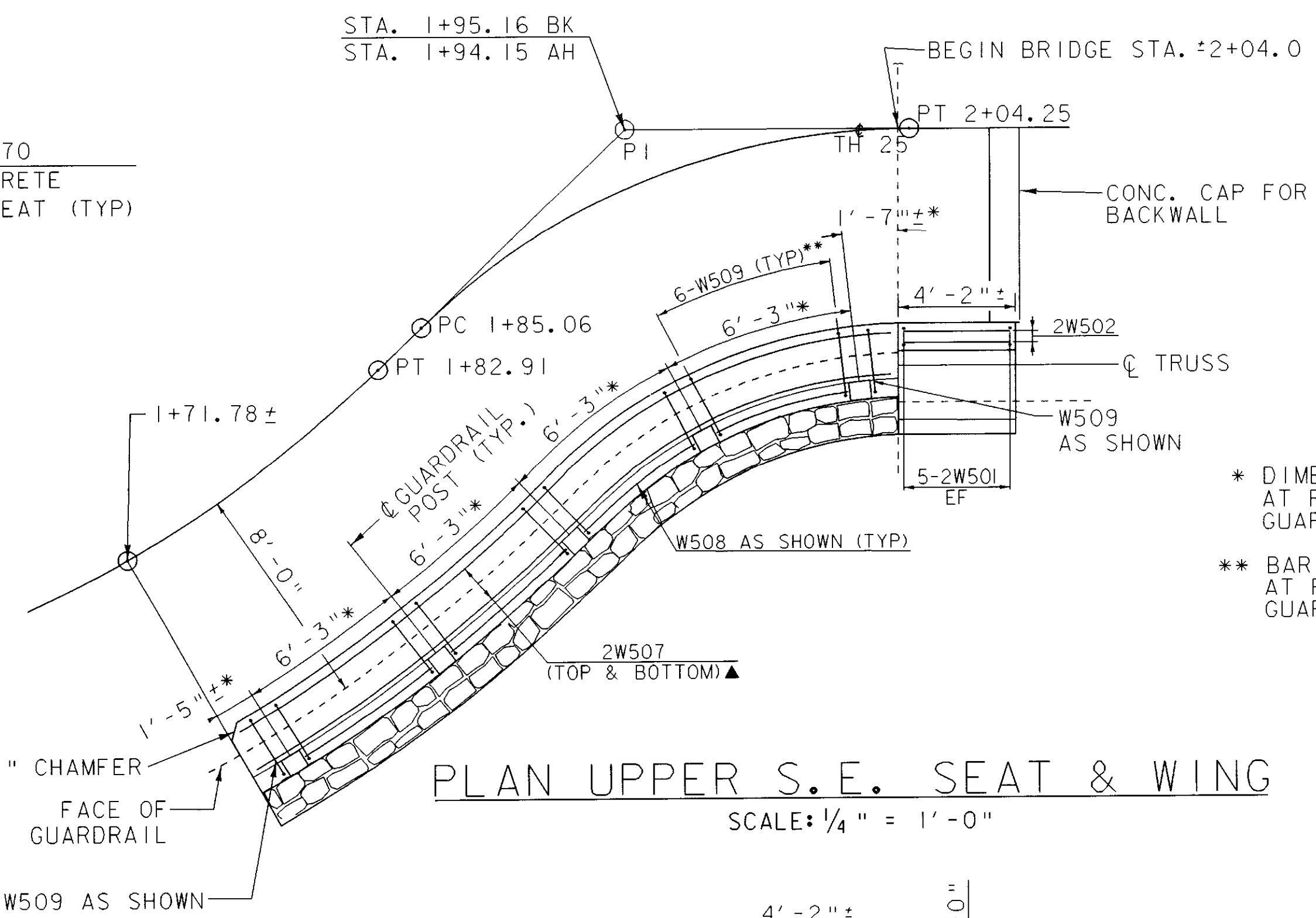
TYPICAL SECTION S.E. BRIDGE SEAT
SCALE: 1/2" = 1'-0"



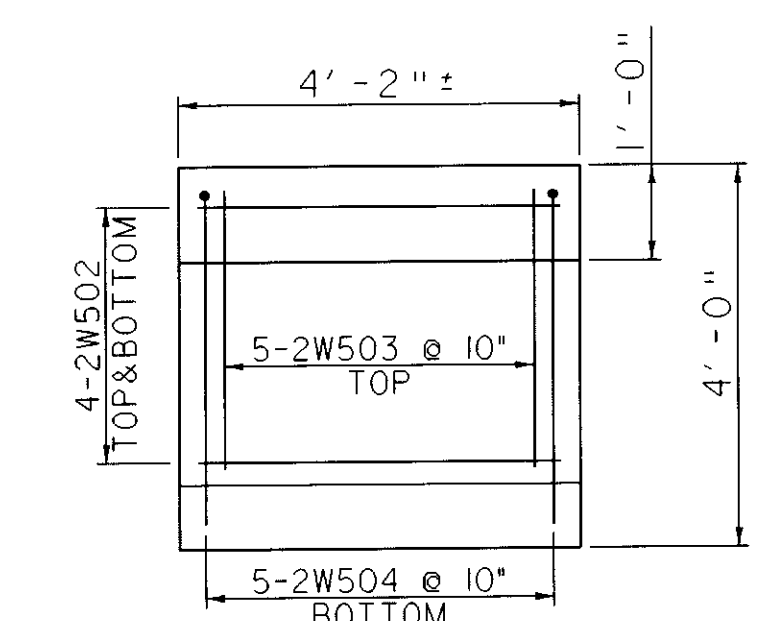
TYPICAL SECTION UPPER S.E. WING
SCALE: 1/2" = 1'-0"



TYPICAL EARTHWORK SECTION S.E. BRIDGE SEAT
SCALE: 1/2" = 1'-0"

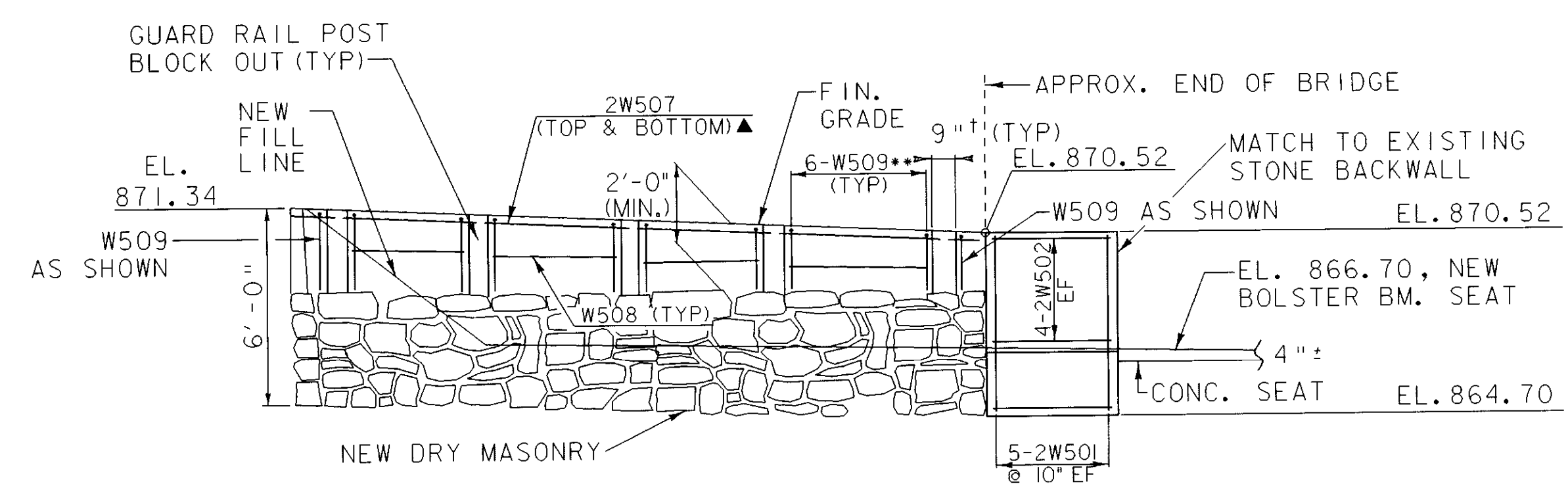


PLAN UPPER S.E. SEAT & WING
SCALE: 1/4" = 1'-0"



PLAN S.E. SEAT FOOTING
SCALE: 1/2" = 1'-0"
NOTE: SEE TYPICAL SECTION AND S.E. ELEVATION VIEW FOR ADDITIONAL REBAR INFO. NOT SHOWN.

ALL BARS ARE #5s @ 12" UNLESS OTHERWISE NOTED
▲ DENOTES BARS TO BE CUT IN FIELD
MINIMUM CLEARANCE: 3" FROM ALL SURFACES, EXCEPT WHERE NOTED



ELEVATION UPPER S.E. SEAT AND WING
SCALE: 1/4" = 1'-0"

† ALONG FACE OF WALL
** BAR SPACING AT FACE OF GUARDRAIL

PROJECT NAME:	MONTGOMERY	FILE NAME:	s04j148d1	PLOT DATE:	21-MAY-2008
PROJECT NUMBER:	BHO 1448 (37)	PROJECT LEADER:	J. WEAVER	DRAWN BY:	J. TREI
		DESIGNED BY:	J. WEAVER	CHECKED BY:	J. WEAVER
		CONSTRUCTION DETAIL SHEET 5		SHEET	20 OF 33