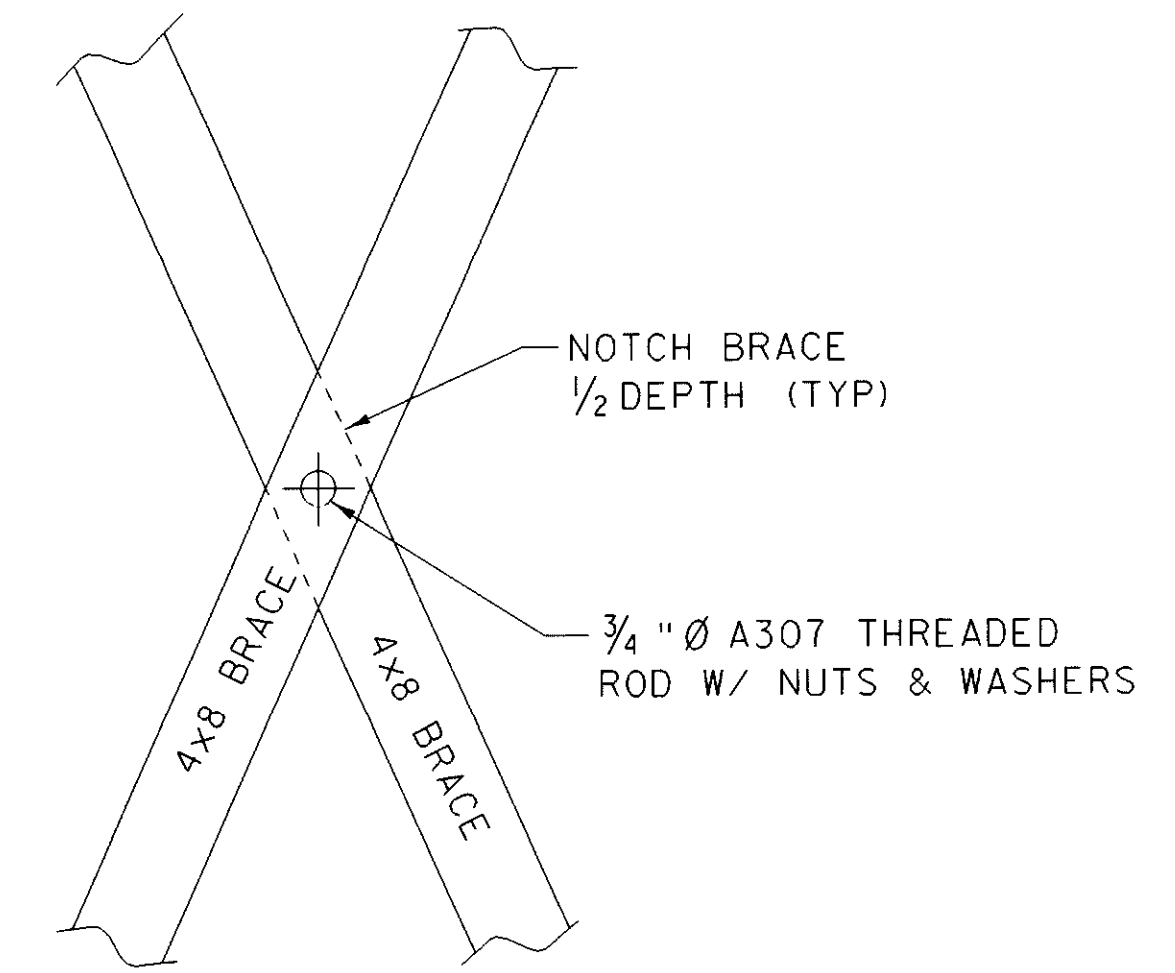
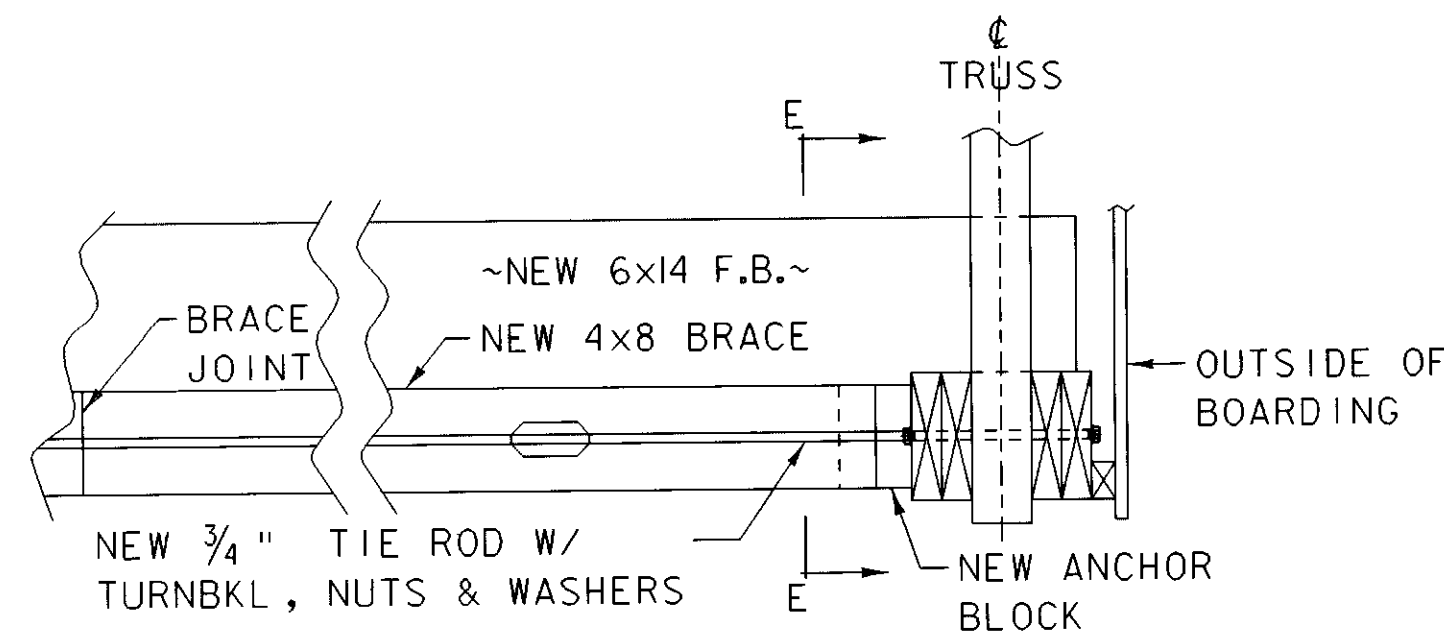


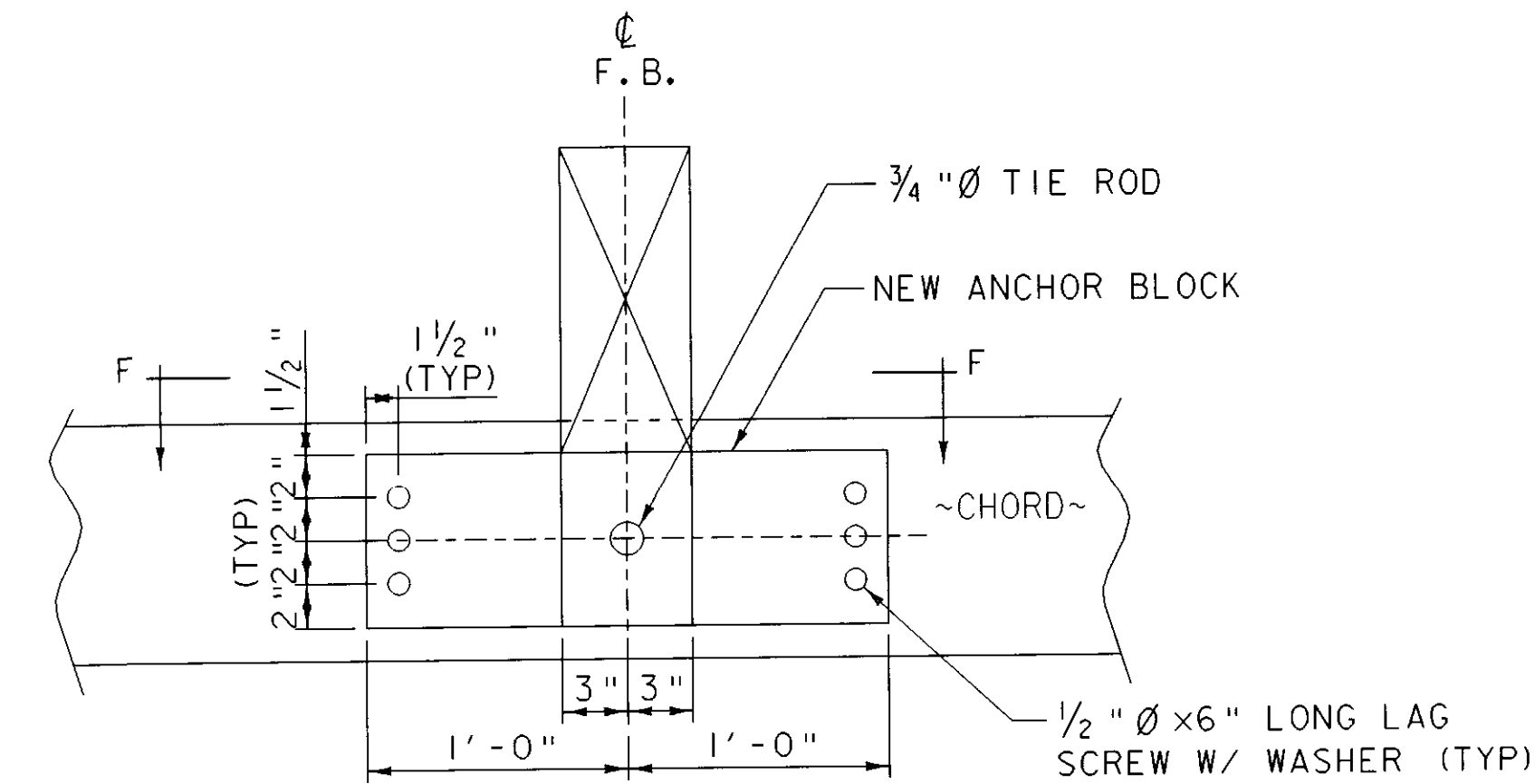
BOTTOM BRACING PLAN
SCALE: 1/4" = 1'-0"



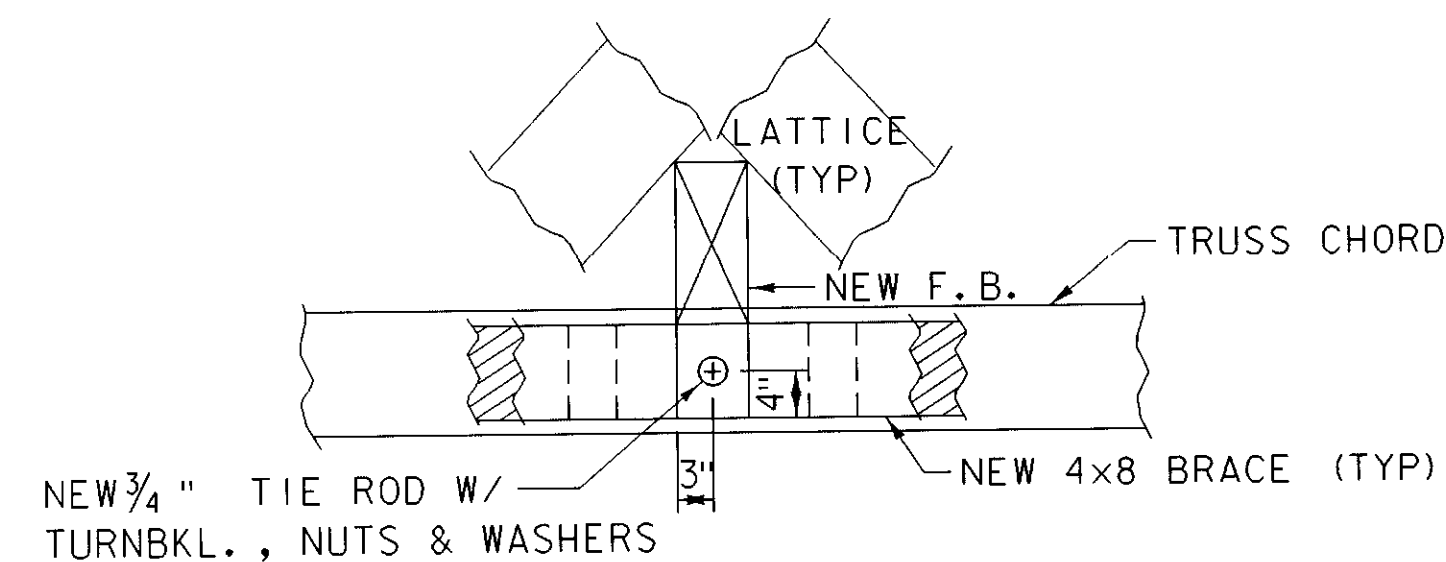
PLAN @ BRACE INTERSECTION
SCALE: 1/2" = 1'-0"



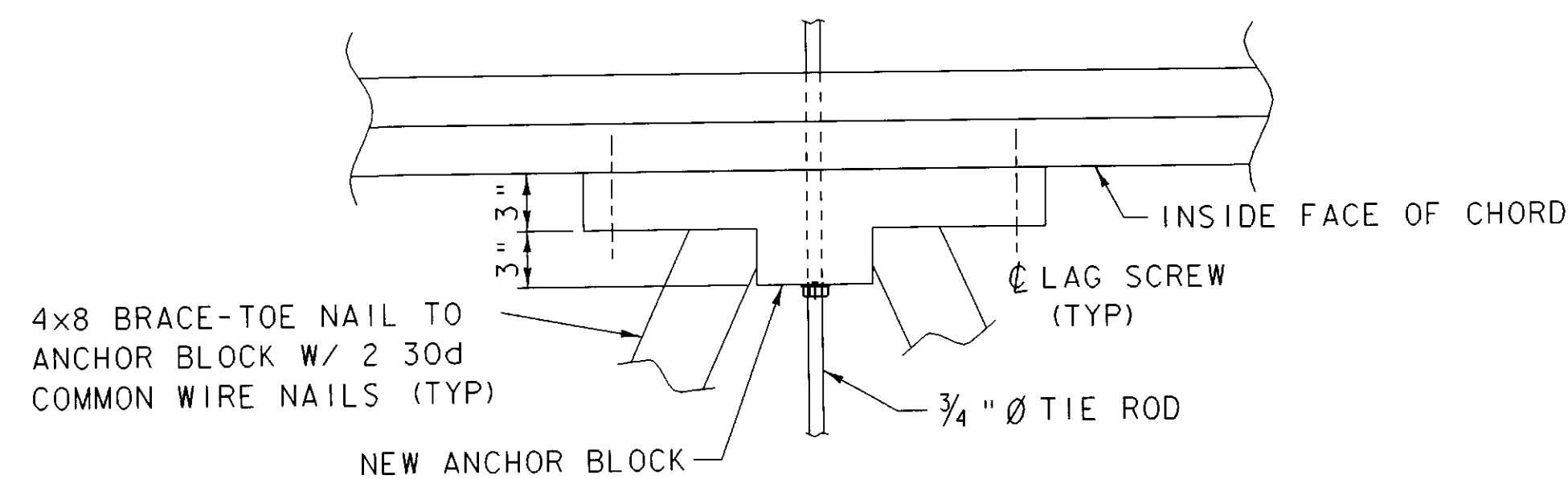
ELEVATION @ TIE ROD
SCALE: 3/4" = 1'-0"



**ELEVATION @ NEW ANCHOR BLOCK
(BRACES NOT SHOWN)**
SCALE: 1/2" = 1'-0"



SECTION E-E
SCALE: 3/4" = 1'-0"



**SECTION F-F
(FLOOR BEAM NOT SHOWN)**
SCALE: 1/2" = 1'-0"

ALL NEW STRUCTURAL LUMBER AND TIMBER MEMBERS SHOWN ON THIS SHEET SHALL BE SYP NO. 2 GRADE AND PRESSURE TREATED.

PROJECT NAME:	MONTGOMERY	PLOT DATE:	21-MAY-2008
PROJECT NUMBER:	BHO 1448 (37)	DRAWN BY:	J. TREI
FILE NAME:	s04j148d11	CHECKED BY:	J. WEAVER
PROJECT LEADER:	J. WEAVER	CONSTRUCTION DETAIL SHEET 4	SHEET 19 OF 33
DESIGNED BY:	J. WEAVER		