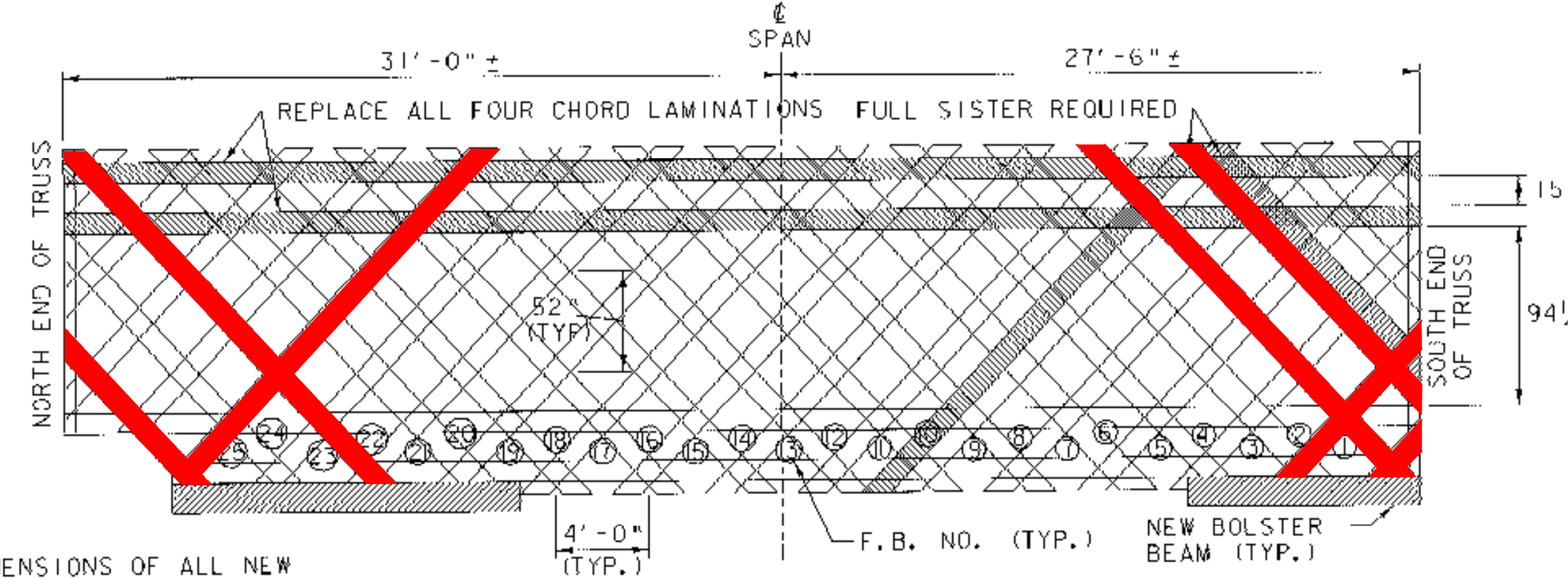


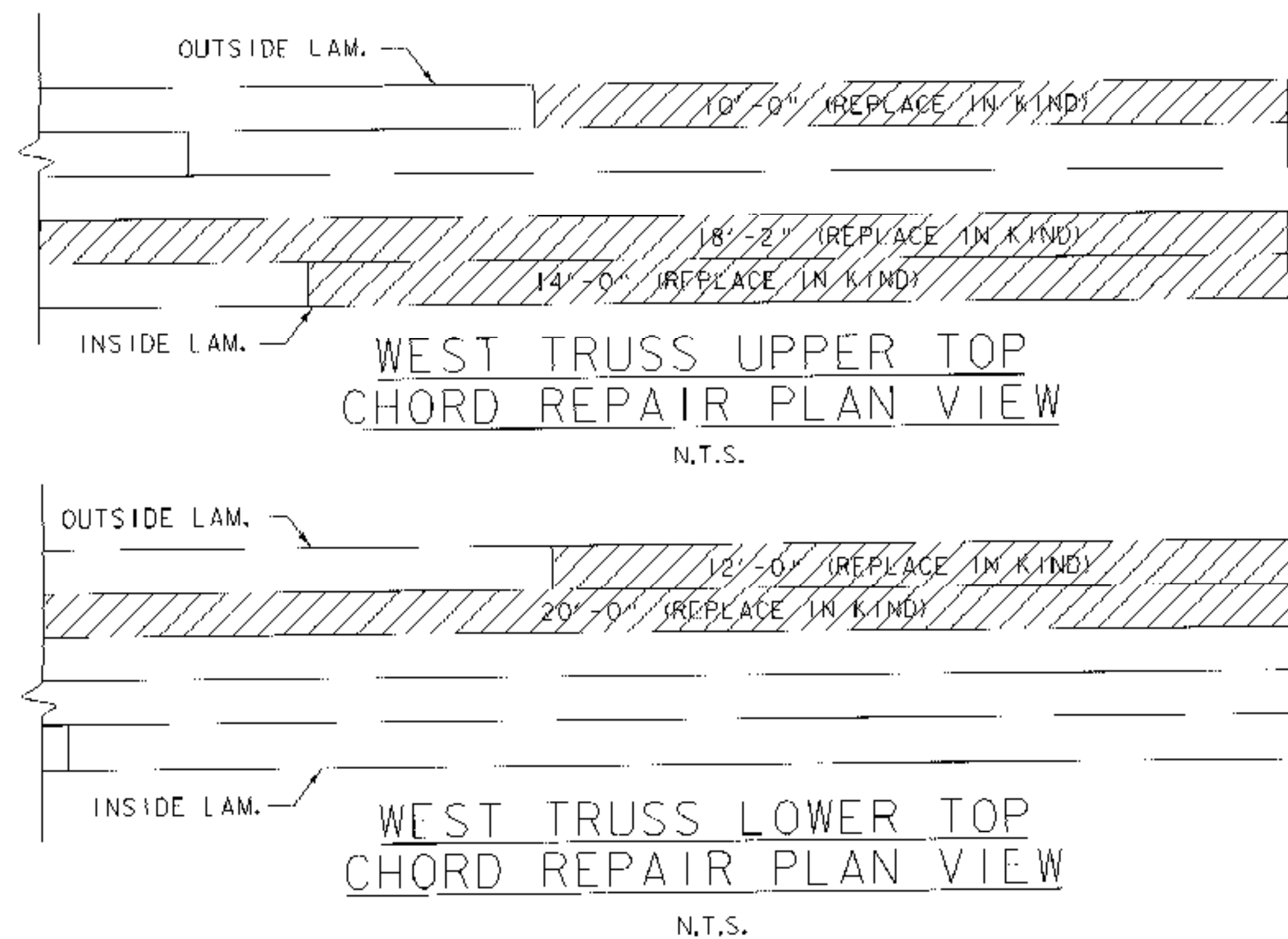
WEST TRUSS - INSIDE W/
FLOOR BEAM LOCATIONS
SCALE: 1" = 5'-0"



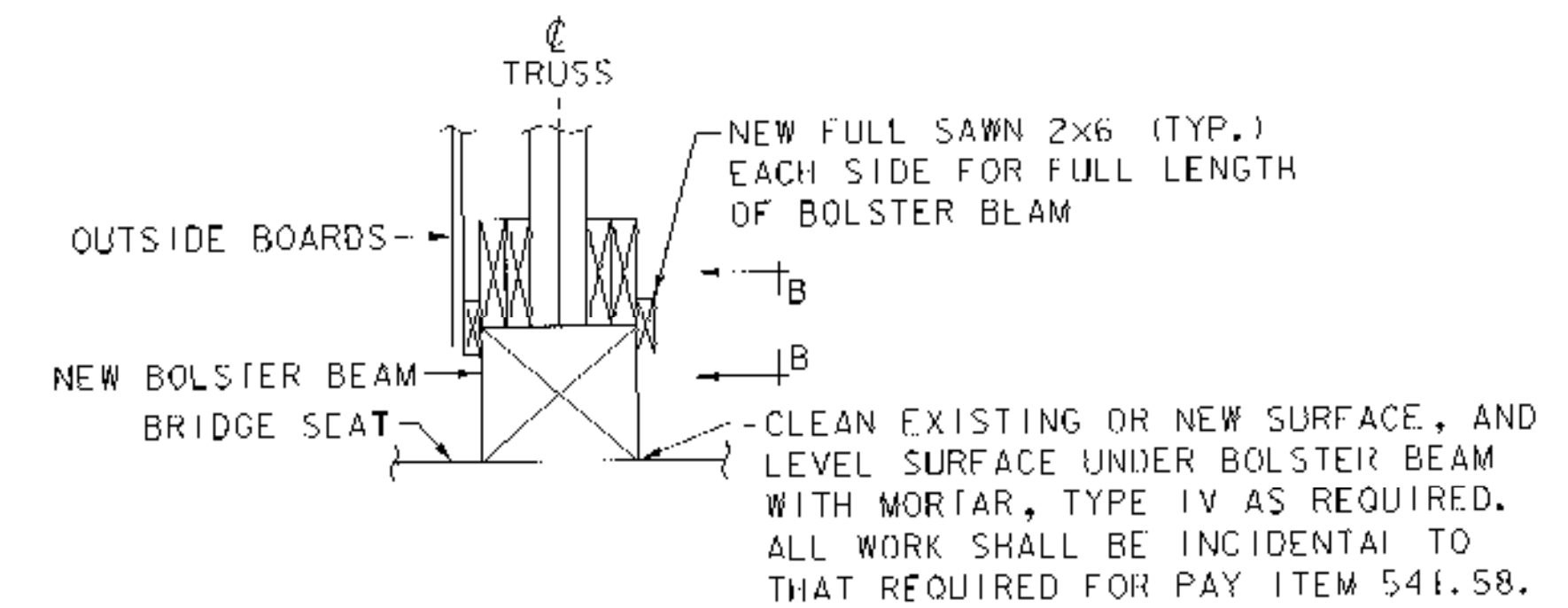
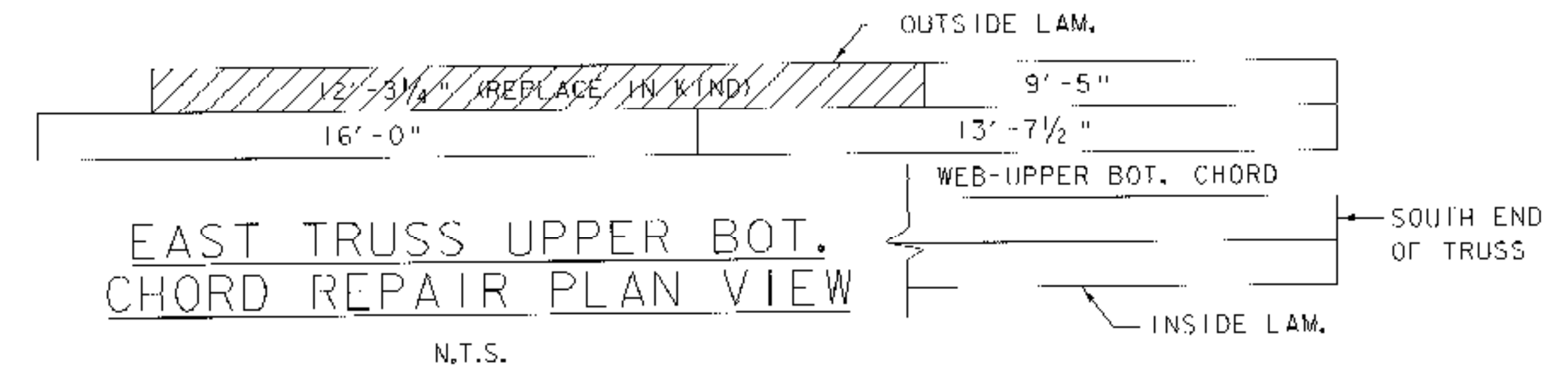
EAST TRUSS - INSIDE W/
FLOOR BEAM LOCATIONS
SCALE: 1" = 5'-0"

1. LAYOUT AND DIMENSIONS OF ALL NEW CHORD LAMINATIONS SO NOTED SHALL BE APPROVED BY THE ENGINEER PRIOR TO CONSTRUCTION

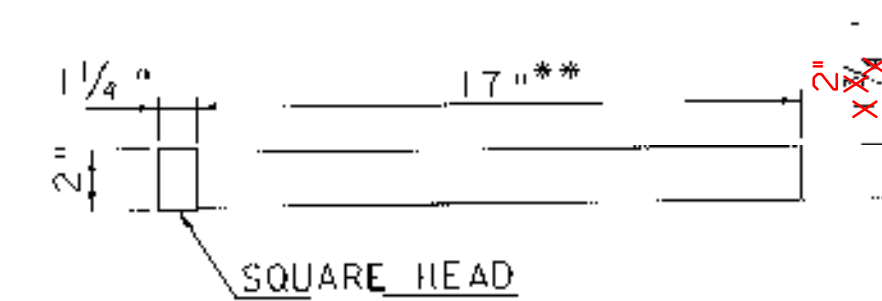
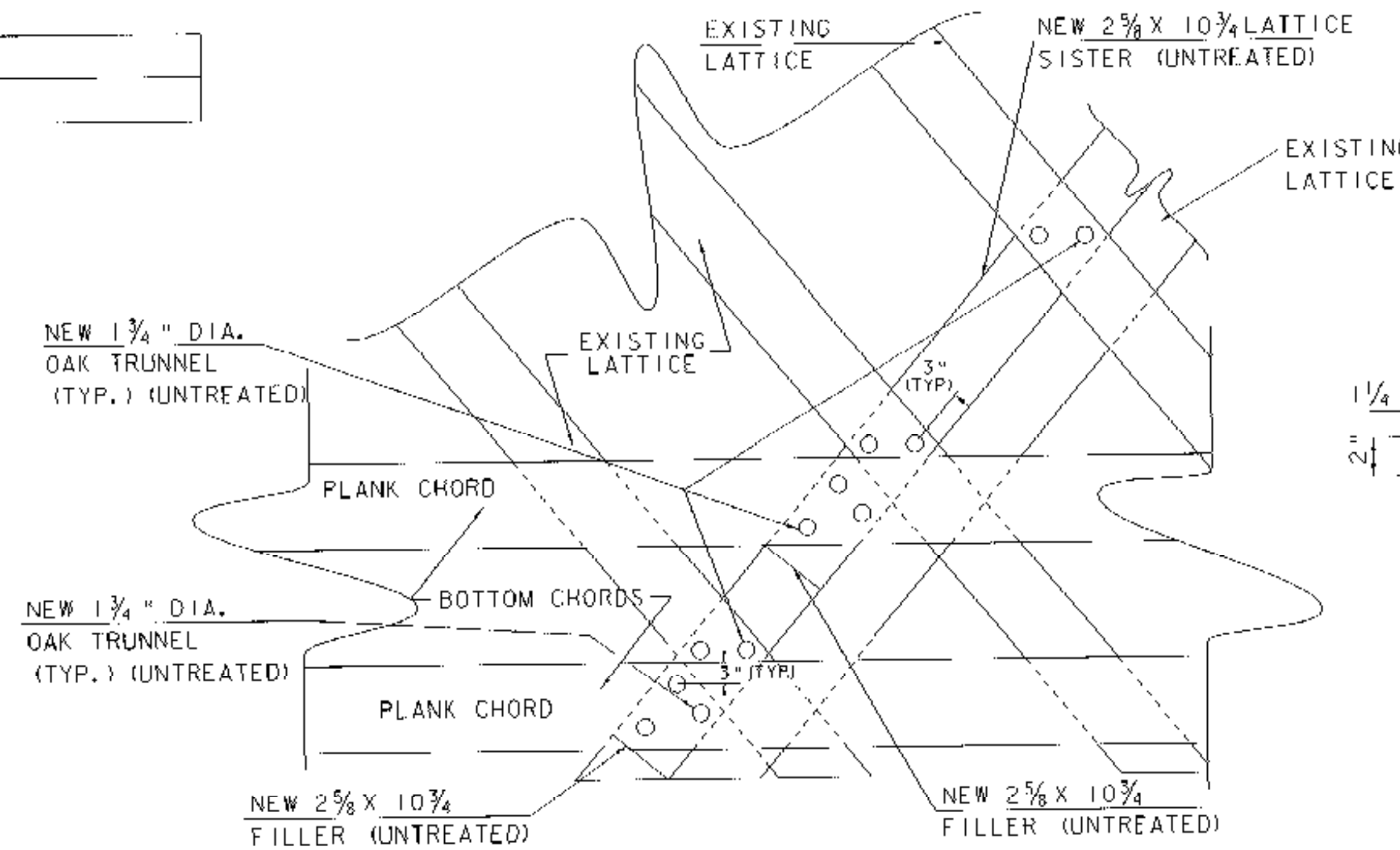
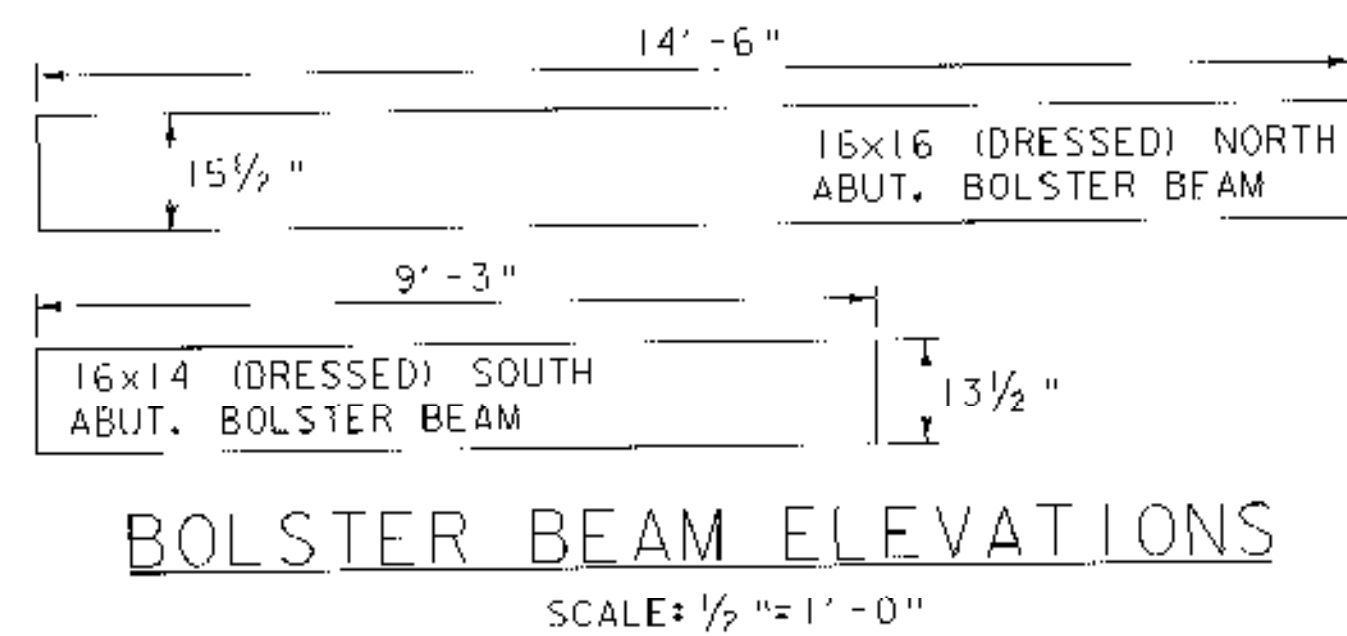
2. INDICATES NEW OR REPLACED MEMBER. RED INDICATES ADDITIONAL NEW SISTERS



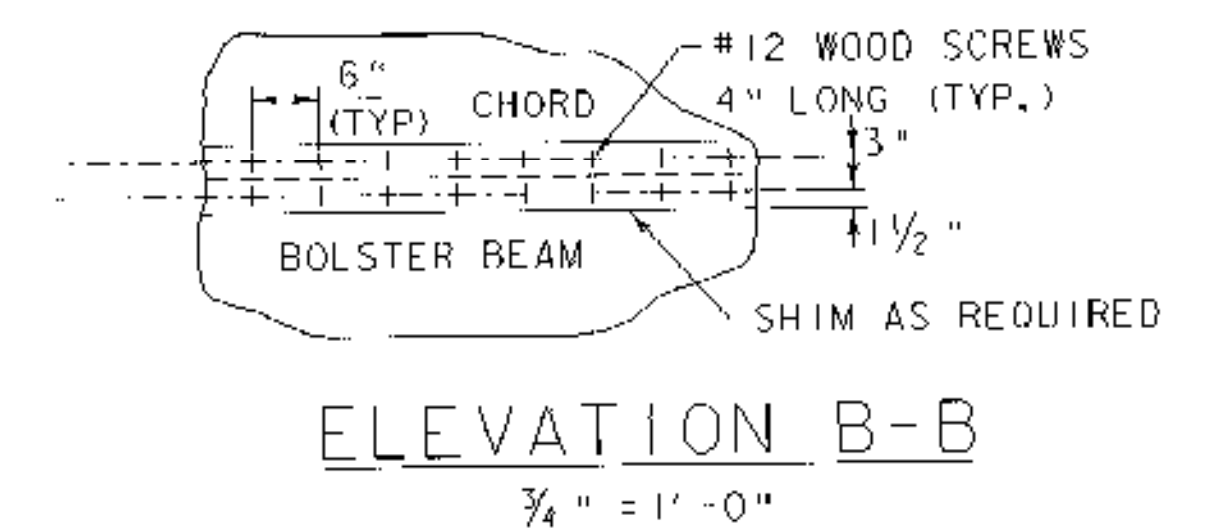
1. ALL NEW STRUCTURAL LUMBER AND TIMBER MEMBERS SHOWN ON THIS SHEET SHALL BE SYP NO. 2 GRADE.
2. NEW BOLSTER BEAMS SHALL BE PRESSURE TREATED.
3. "REPLACE IN KIND" MEANS REPLACEMENT WITH A NEW LAMINATION OF EQUAL CROSS-SECTIONAL DIMENSIONS.



* DETAIL SIMILAR @ NE BOLSTER BEAM LOCATION



TRUNNEL DETAIL
N. T. S.



PROJECT NAME: MONTGOMERY	PLOT DATE: 21-MAY-2008
PROJECT NUMBER: BHO 1448 (37)	DRAWN BY: J. TREI
FILE NAME: s04j148d1	CHECKED BY: J. WEAVER
PROJECT LEADER: J. WEAVER	SHEET 17 OF 33
DESIGNED BY: J. WEAVER	
CONSTRUCTION DETAIL SHEET 2	