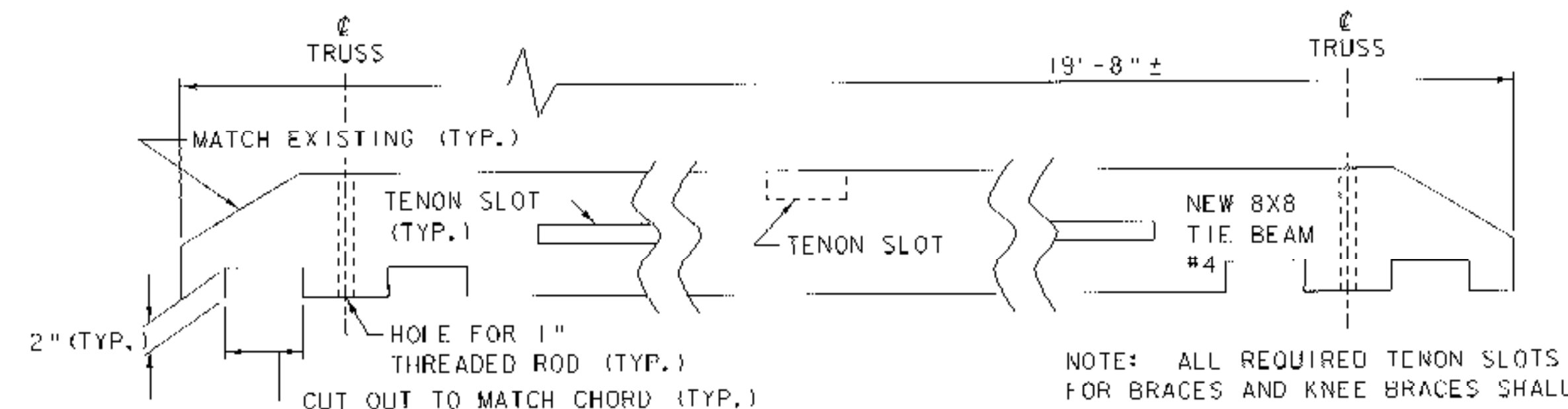


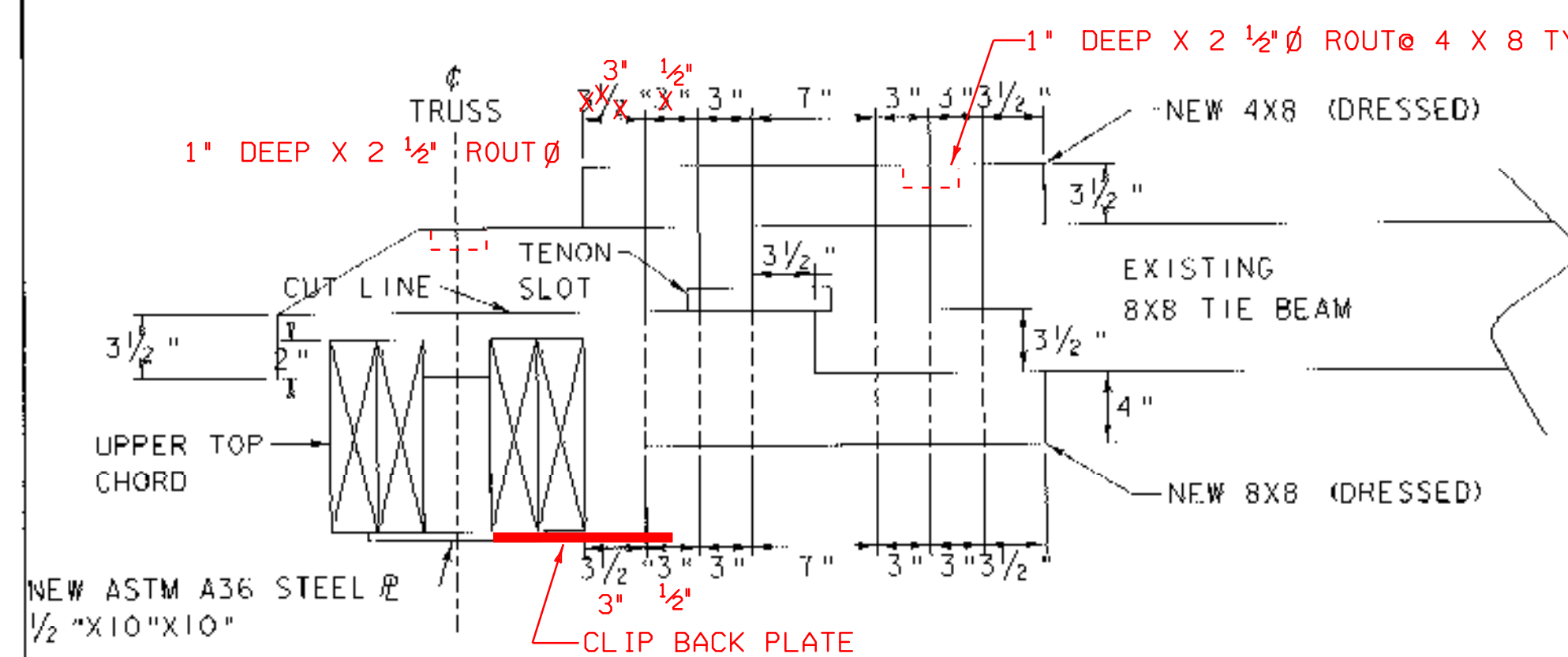
TOP BRACING (RIDGE POLE NOT SHOWN)

SCALE: 1/4" = 1'-0"



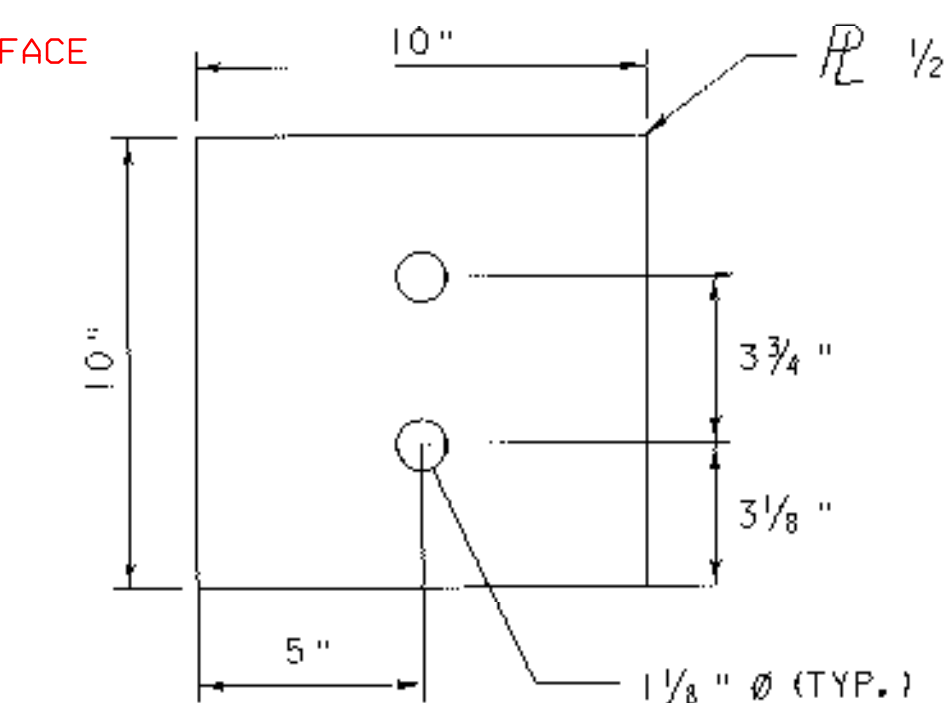
NEW TIE BEAM ELEVATION

SCALE: 1/2" = 1'-0"



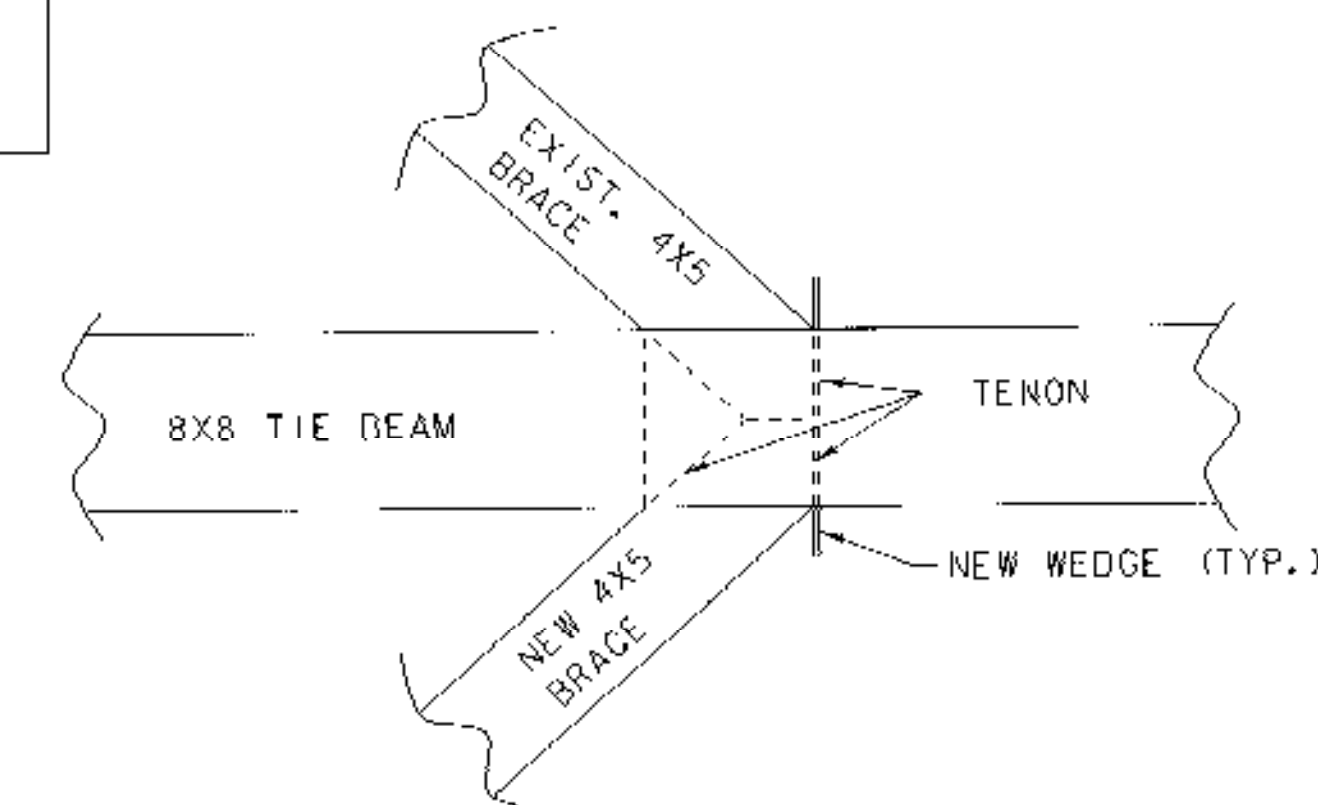
ELEVATION @ TIE BEAM REPAIR

SCALE: 1/2" = 1'-0"



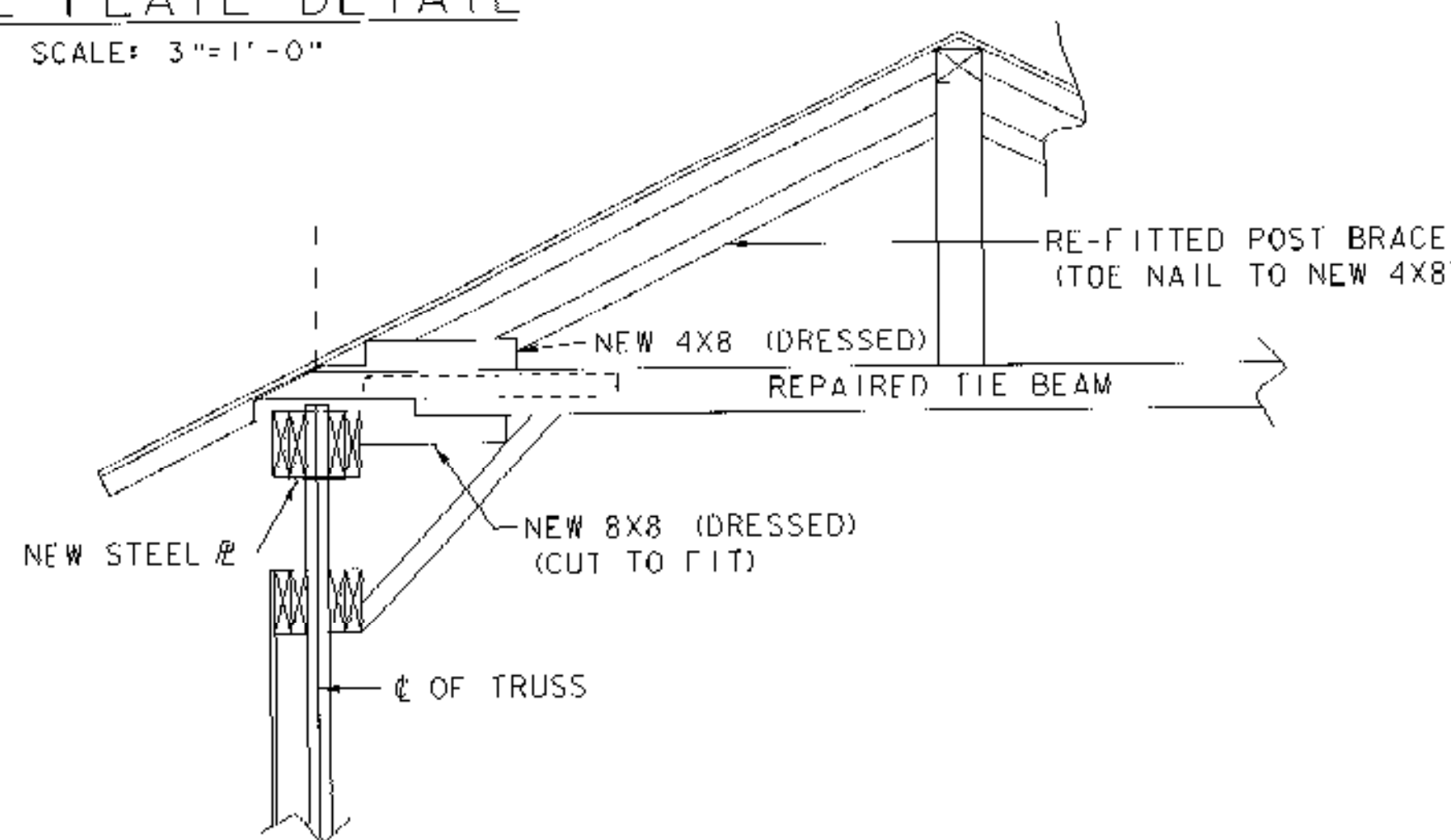
STEEL PLATE DETAIL

SCALE: 3" = 1'-0"



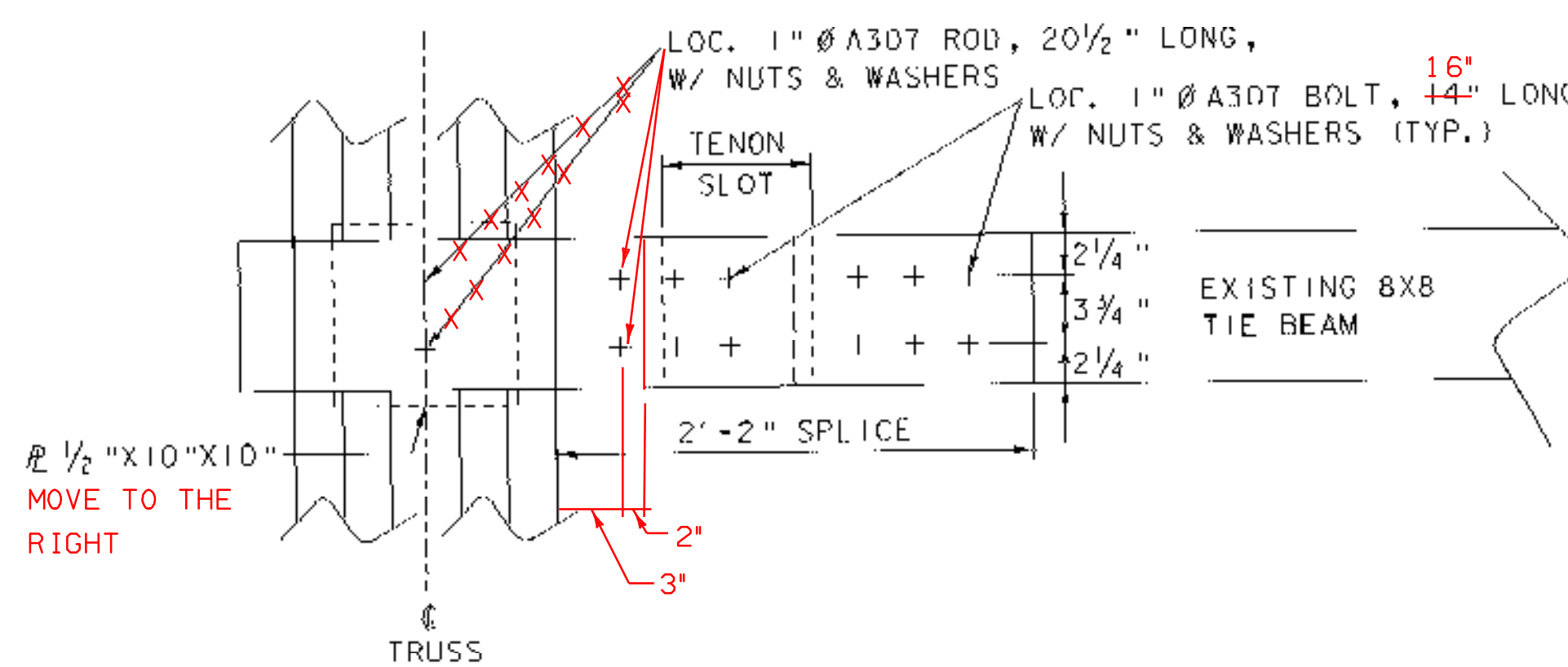
PLAN @ BRACE CONNECTION

SCALE: 1/2" = 1'-0"



SECTION @ UPPER TOP CHORD AT REPAIRED TIE BEAM

SCALE: 1/2" = 1'-0"



PLAN @ TIE BEAM REPAIR

SCALE: 1/2" = 1'-0"

PROJECT NAME:	MONTGOMERY	PLOT DATE:	02-JUN-2008
PROJECT NUMBER:	BHO 1448 (37)	DESIGNED BY:	J. WEAVER
FILE NAME:	s04j148d1	CONSTRUCTION DETAIL SHEET 1	
PROJECT LEADER:	J. WEAVER	CHECKED BY:	J. TREI
			SHEET 16 OF 33