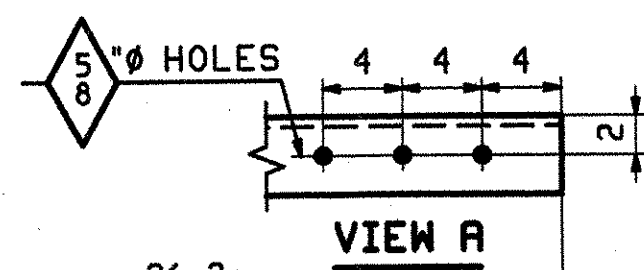
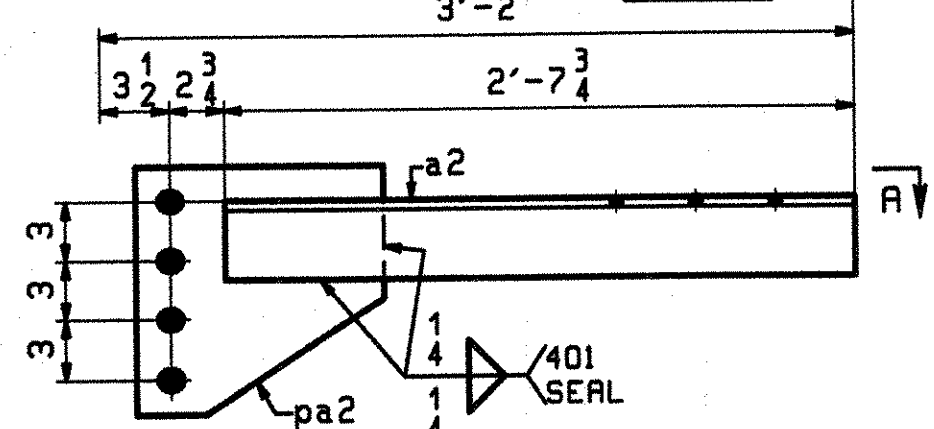


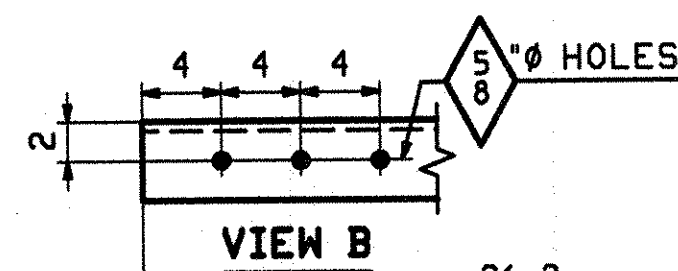
9 ~ DIAPHRAGMS - 2D1
(GALVANIZED AND PRINTED)



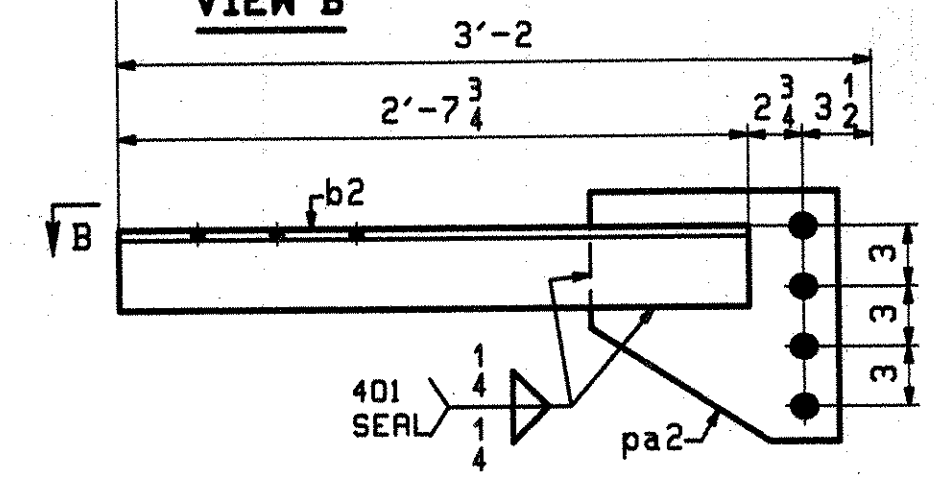
VIEW A



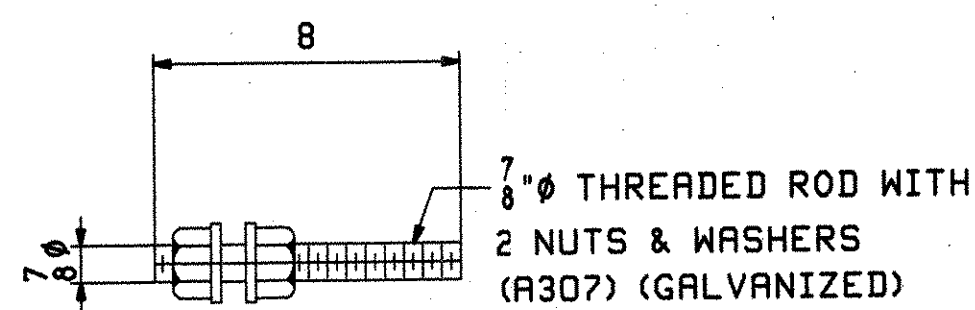
ONE ~ BRACKET - 2D2
(GALVANIZED AND PRINTED)



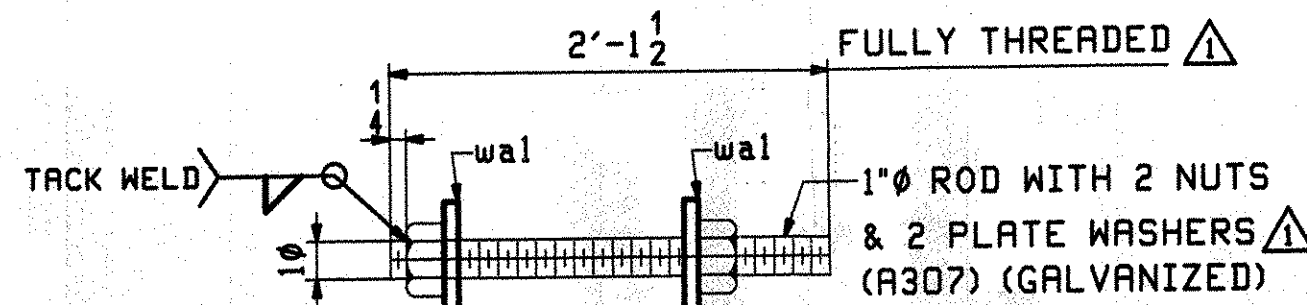
VIEW B



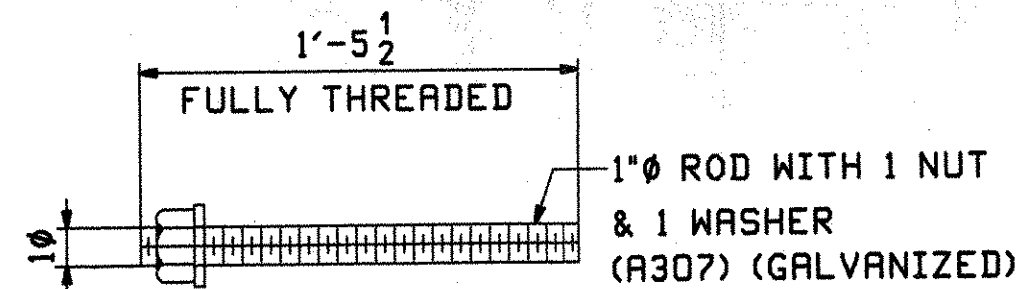
ONE ~ BRACKET - 2D3
(GALVANIZED AND PRINTED)



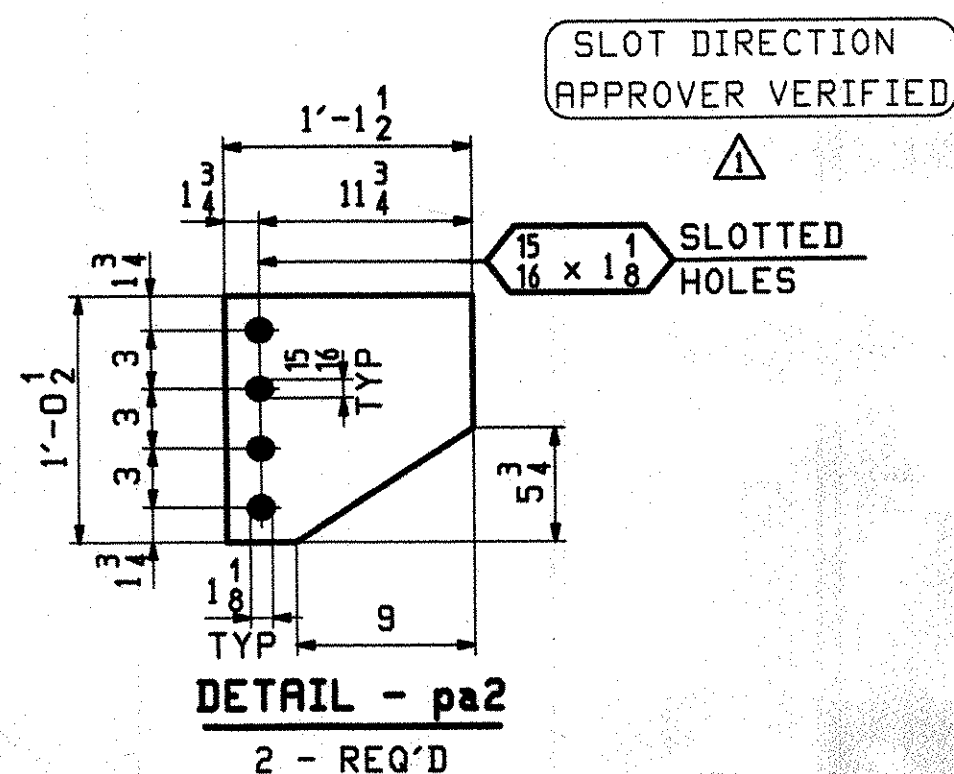
16 ~ LEVELING RODS - 2M1



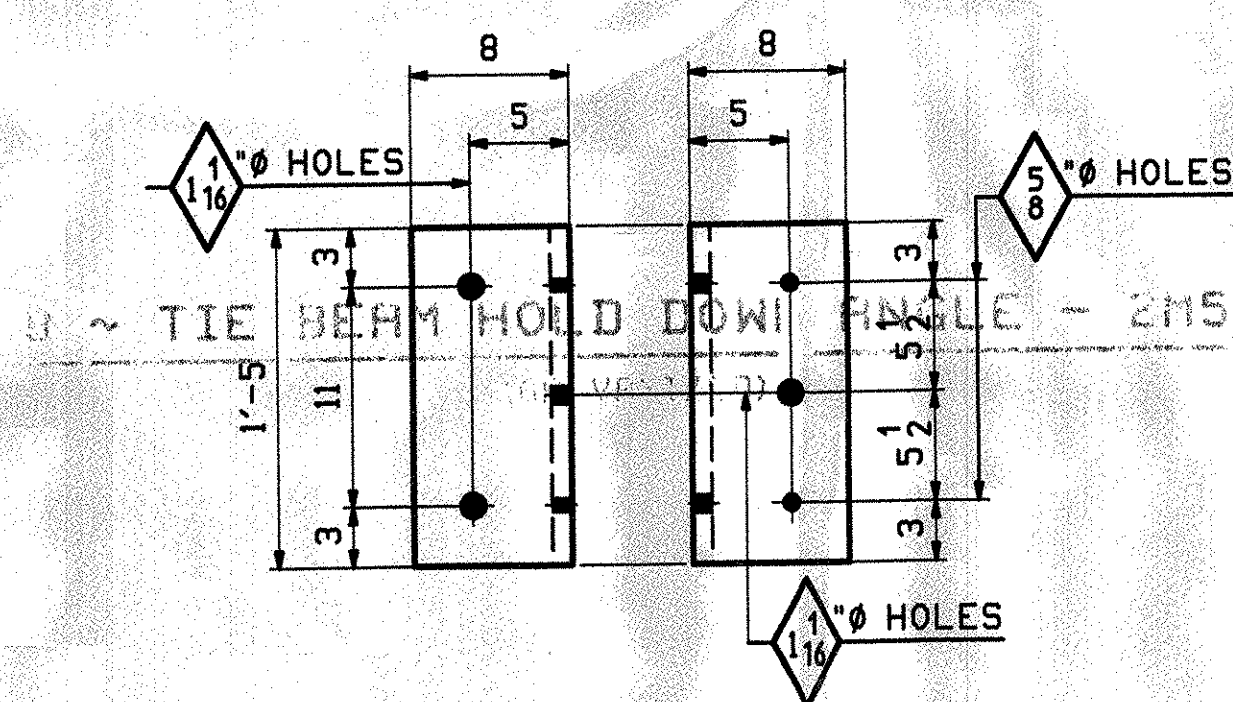
4 ~ TRUSS HOLD DOWN RODS - 2M2



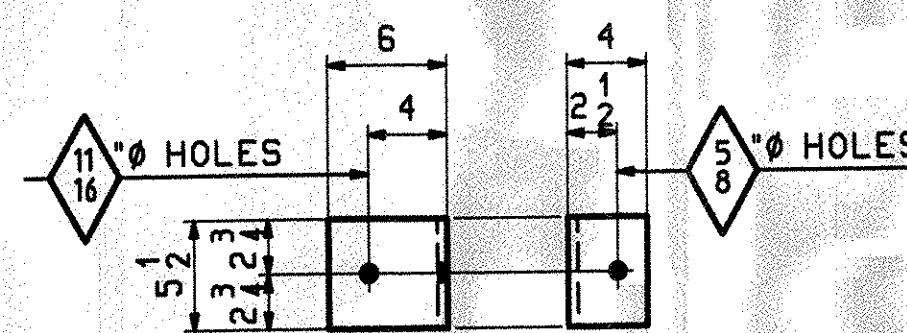
8 ~ ANCHOR BOLTS - 2M3



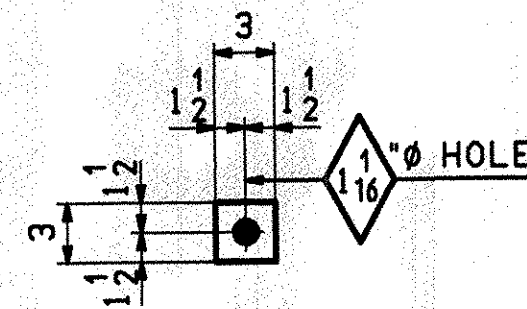
DETAIL - pa2
2 - REQ'D



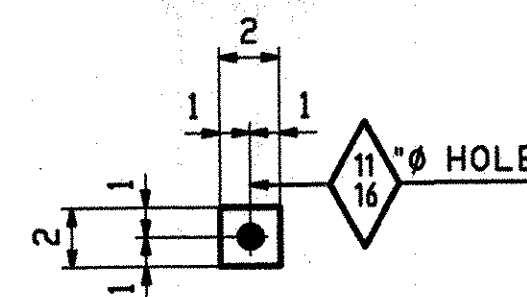
4 ~ TRUSS HOLD DOWN ANGLE - 2M4
(GALVANIZED)



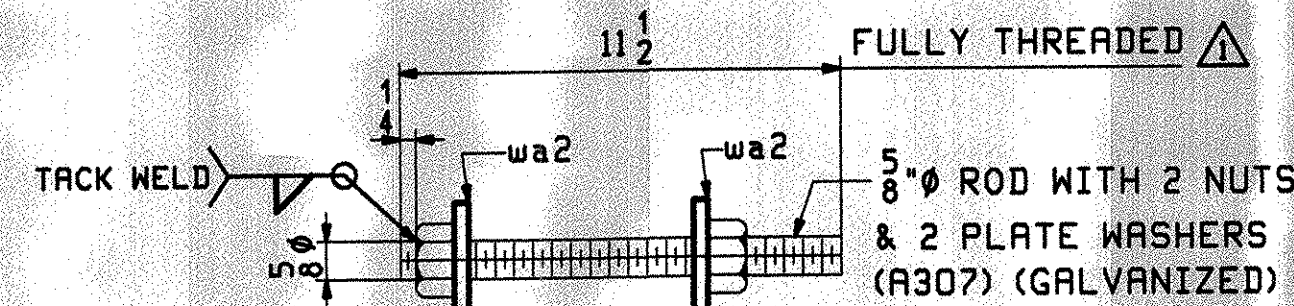
8 ~ TIE BEAM HOLD DOWN ANGLE - 2M5
(GALVANIZED)



DETAIL - wal
8 - REQ'D



DETAIL - wa2
16 - REQ'D



8 ~ TIE BEAM HOLD DOWN RODS - 2M6

MATERIAL INCLUDED IN CONTRACT ITEM 506.60, STRUCTURAL STEEL, ROLLED BEAM.

JOB NO.		DRAWING NO.		REV.		
340		2		A		
ABM INFO	SHIP	BILL OF MATERIAL		REMARKS	NT	PROCUREMENT NOTES
PAGE	LINE	MARK	QTY	MARK	MATERIAL	LENGTH FT INCHES
					DIAPHRAGMS	3 2
					(GALVANIZED & PRINTED)	
1	H	2D1	9	C	12x20.7	3 2
					(GALVANIZED & PRINTED)	66
					RETAINER BRACKET	
					(GALVANIZED & PRINTED)	56
1	L		1	a2	L 4x4x1/2	2 7 3/4
1	M		1	pa2	PL 1/2x12 1/2	1 1 1/2
					RETAINER BRACKET	
					(GALVANIZED & PRINTED)	56
1	L		1	b2	L 4x4x1/2	2 7 3/4
1	M		1	pa2	PL 1/2x12 1/2	1 1 1/2
					LEVELING ROD	
					HOT DIPPED GALV.	3
2	B		16		7/8 ROD	0 8
					(A307) (FULLY THREADED)	
2	C		32		8 HHN	
					(A563)	
2	D		32		8 HSW	
					(F436)	
					TRUSS HOLD DOWN ROD	
					HOT DIPPED GALV.	8
					(A307) (FULLY THREADED)	
2	G		4		1 ROD	2 1 1/2
					(A307) (FULLY THREADED)	
2	H				PL 3/4x3	0 3
					(A709-36)	
2	J				1 HHN	
					(A563)	
					ANCHOR BOLTS	
					HOT DIPPED GALV.	4
					(A307) (FULLY THREADED)	
2	M		8		1 ROD	1 5 1/2
					(A563)	
2	N		8		1 HHN	
					(A563)	
2	P		8		1 HSW	
					(F436)	
					HOLD DOWN ANGLES	
2	T	2M4	4		L 8x8x1	1 5
					HOT DIPPED GALV.	7 3/4
2	U	2M5	8		L 6x4x1/2	0 9 1/2
					HOT DIPPED GALV.	7 3/4
					TIE BEAM HOLD DOWN ROD	
					HOT DIPPED GALV.	3
					(A307) (FULLY THREADED)	
2	X		8		3/8 ROD	0 11 1/2
					(A709-36)	
2	Y		16	wa2	PL 1/2x2	0 2
					(A563)	
2	Z		16		3/8 HHN	
					(A563)	

SHOP DRAWING REVIEW

REVIEWED AS REQUIRED BY THE CONSTRUCTION CONTRACT DOCUMENTS AND APPROVED, BUT ONLY FOR CONFORMANCE TO THE DESIGN CONCEPT OF THE WORK, AND SUBJECT TO FURTHER LIMITATIONS AND REQUIREMENTS CONTAINED IN THE CONSTRUCTION CONTRACT DOCUMENTS.

REJECTED REVISE AND RESUBMIT FURNISH AS CORRECTED

CORRECTIONS OR COMMENTS MADE ON THE SHOP DRAWINGS DURING THIS REVIEW DO NOT RELIEVE CONTRACTOR FROM COMPLIANCE WITH REQUIREMENTS OF THE DRAWINGS AND SPECIFICATIONS. THIS CHECK IS ONLY FOR REVIEW OF GENERAL CONFORMANCE WITH THE DESIGN CONCEPT OF THE PROJECT AND GENERAL COMPLIANCE WITH THE INFORMATION GIVEN IN THE CONTRACT DOCUMENTS. THE CONTRACTOR IS RESPONSIBLE FOR CONFIRMING AND CORRELATING ALL QUANTITIES AND DIMENSIONS, SELECTING FABRICATION PROCESSES AND TECHNIQUES OF CONSTRUCTION, COORDINATING HIS WORK WITH THAT OF ALL OTHER TRADES, AND PERFORMING HIS WORK IN A SAFE AND SATISFACTORY MANNER.

VHB Vanneste Hungen Brustlin, Inc.
Engineers, Planners, and Scientists
Six Bedford Farms, Milton Rd.
Bedford, NH 03110 (603) 884-6666

Job Number: **51752**
Reviewed By: **S.H.DIXON**
Date: **12-12-07**

Approved: **10/23/07**

REV.	DATE	REMARKS	DWN	CHK	APVL	SHOP
1	11/06/07	APPROVAL COMMENTS	JTB	DBH		10/8/07
0						11/8/07 11/8/07
MATERIAL:		SURFACE PREP. & PAINT:	HOLES:		SHOP BOLTS:	
A709-50 (UN)		SEE DWG GNI	15/16" (UN)		NONE	
DESCRIPTION: DIAPHRAGMS & MISC.						
CASCO BAY STEEL STRUCTURES, INC.						
75 SPRING HILL ROAD			SACO, MAINE 04072			
PHONE (207) 282-7360			FAX (207) 282-1179			
STRUCTURE:		REHAB. OF BRALEY COVERED BRIDGE	DRAWN:		DATE:	
TH 64 (CLASS III - LOCAL ROAD)		BRIDGE NO. 38	JTB		09/24	
			CHKD:		DATE:	
			DBH		10/04	
LOCATION:		TOWN OF RANDOLPH, VERMONT	JOB NO.		DWG NO.	
PROJ NO.		BHO 1444(44)	340		2	
CUSTOMER:		VERMONT R.O.T.			REV. A	

058-55