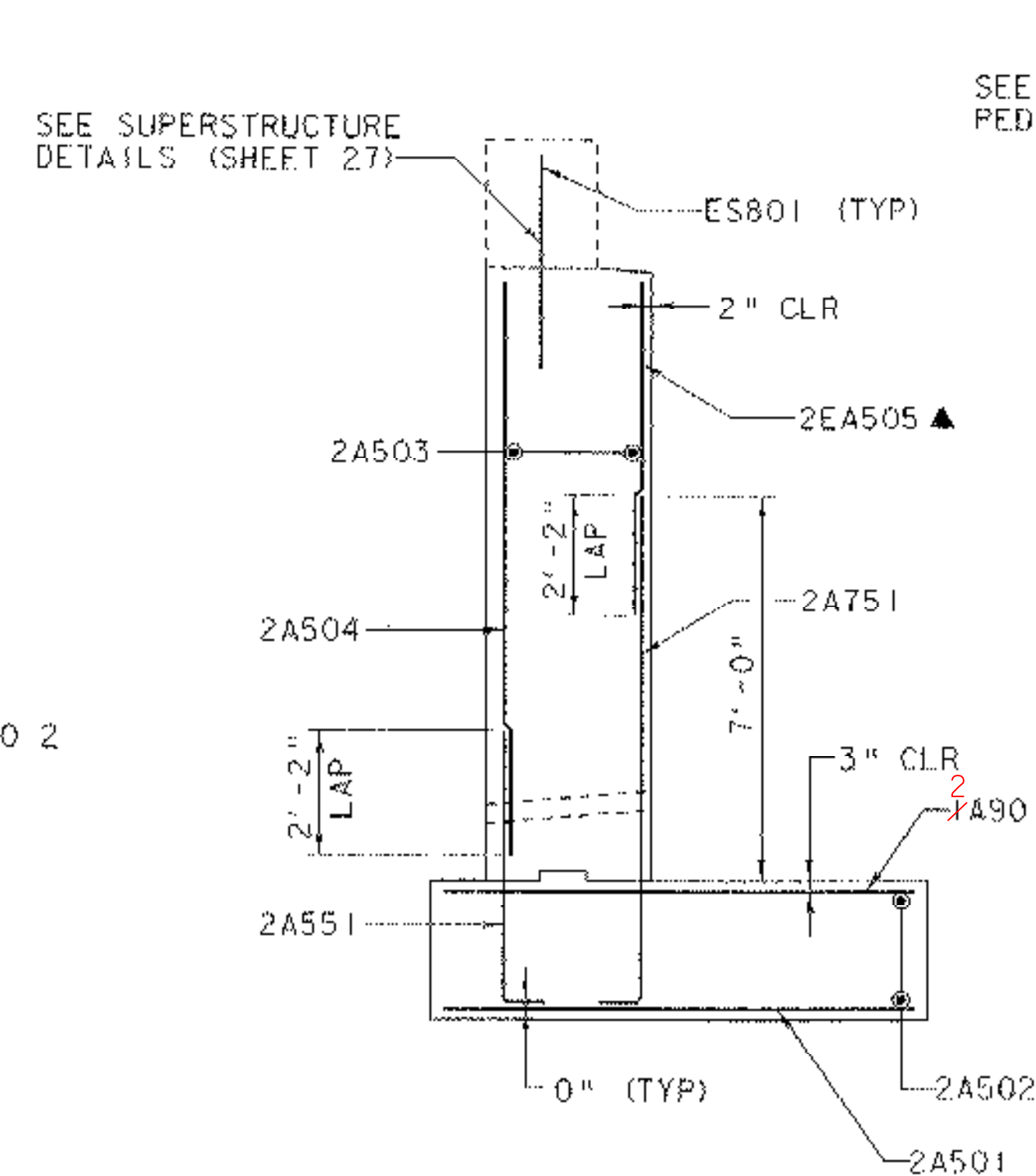
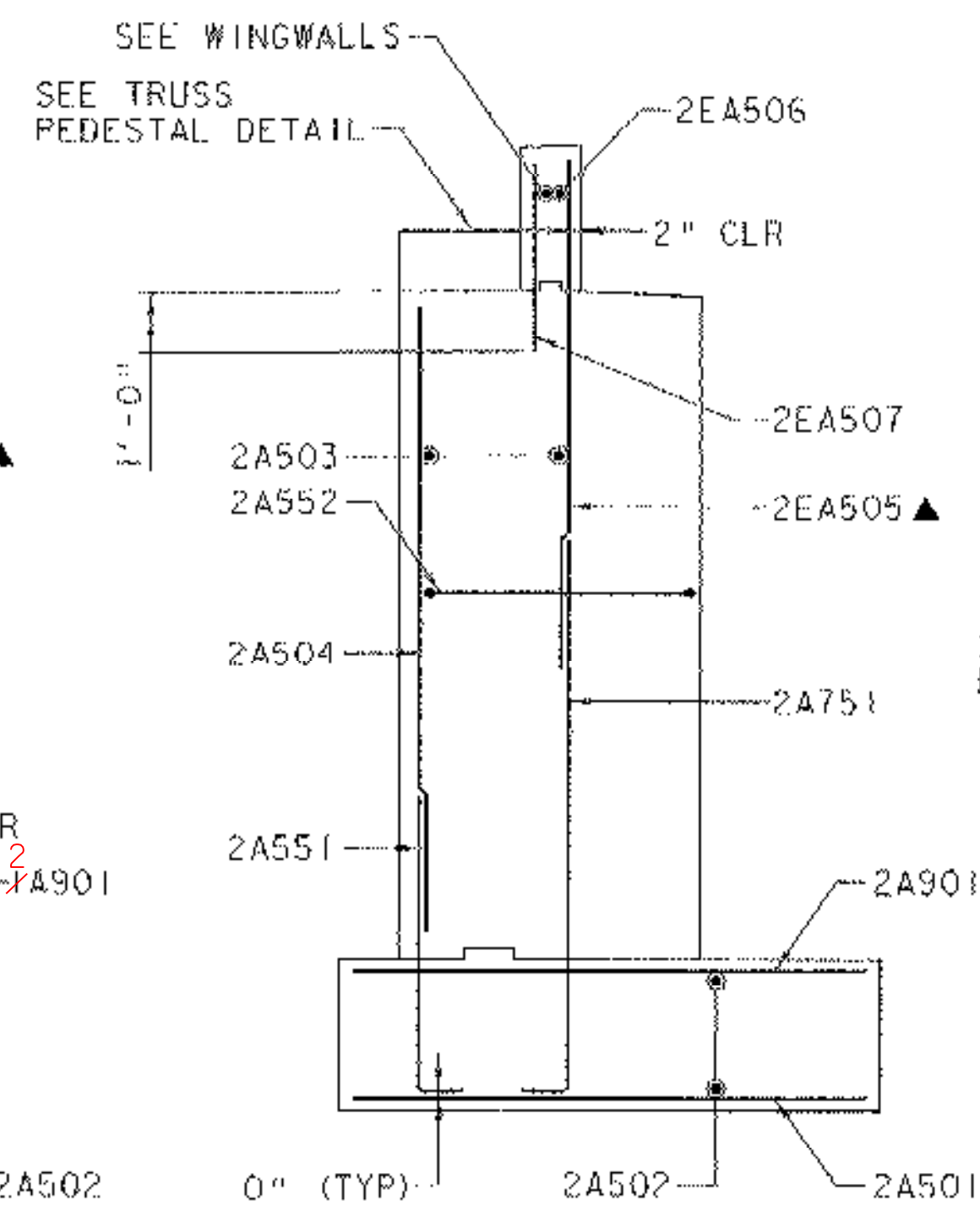


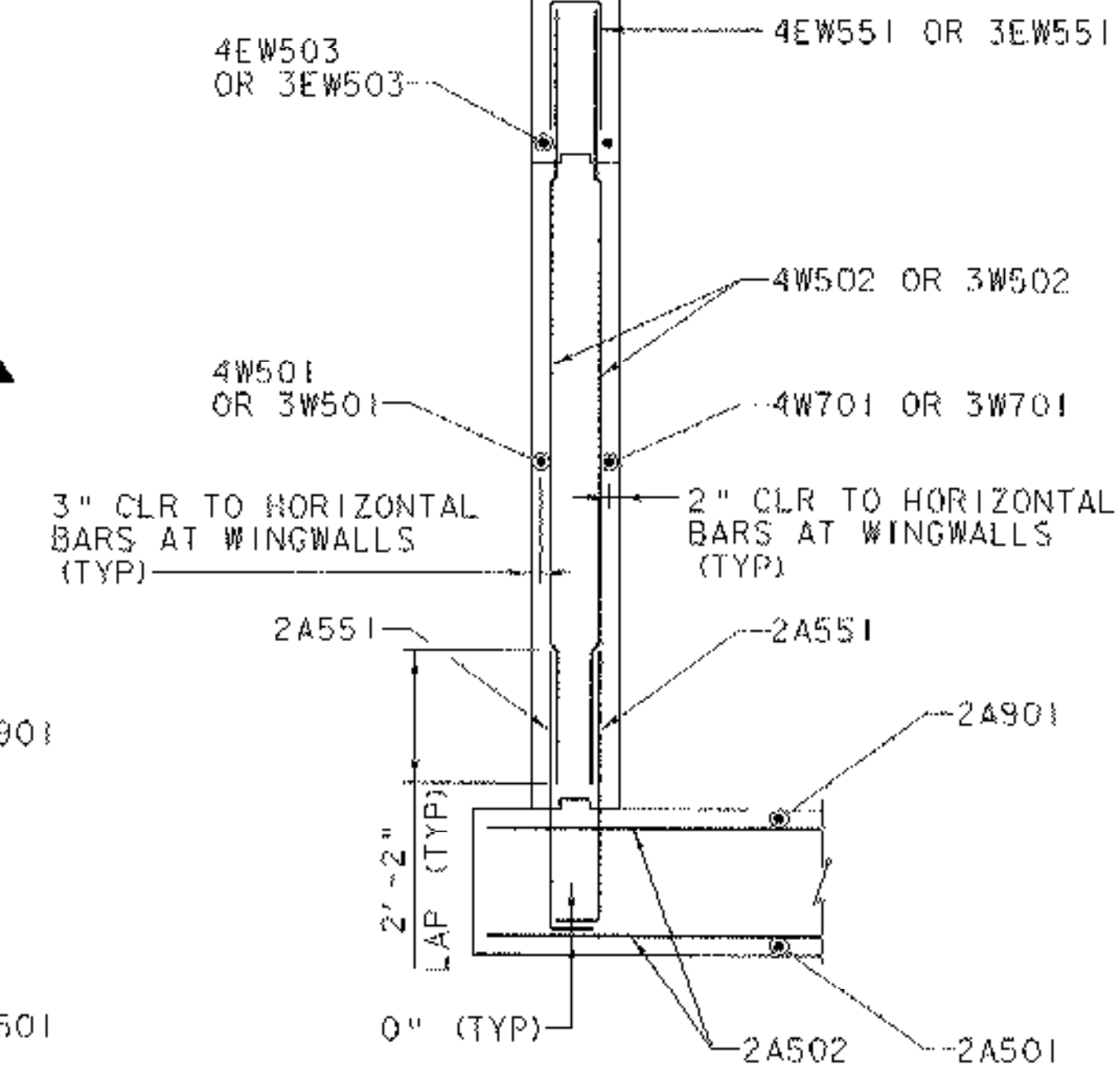
**FOOTING PLAN**  
(TREMIE SEAL NOT SHOWN)



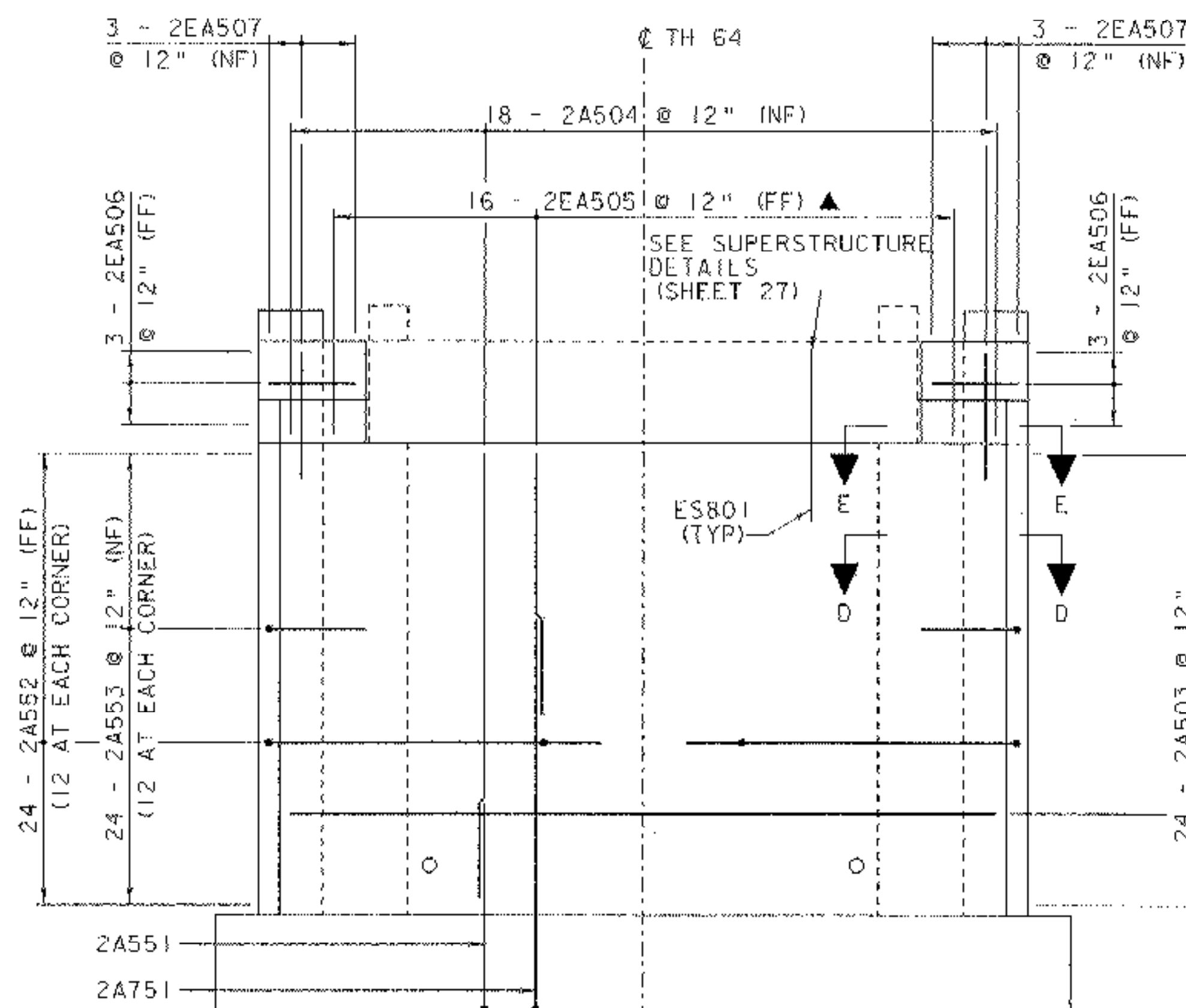
**SECTION A-A**  
(TREMIE SEAL NOT SHOWN)



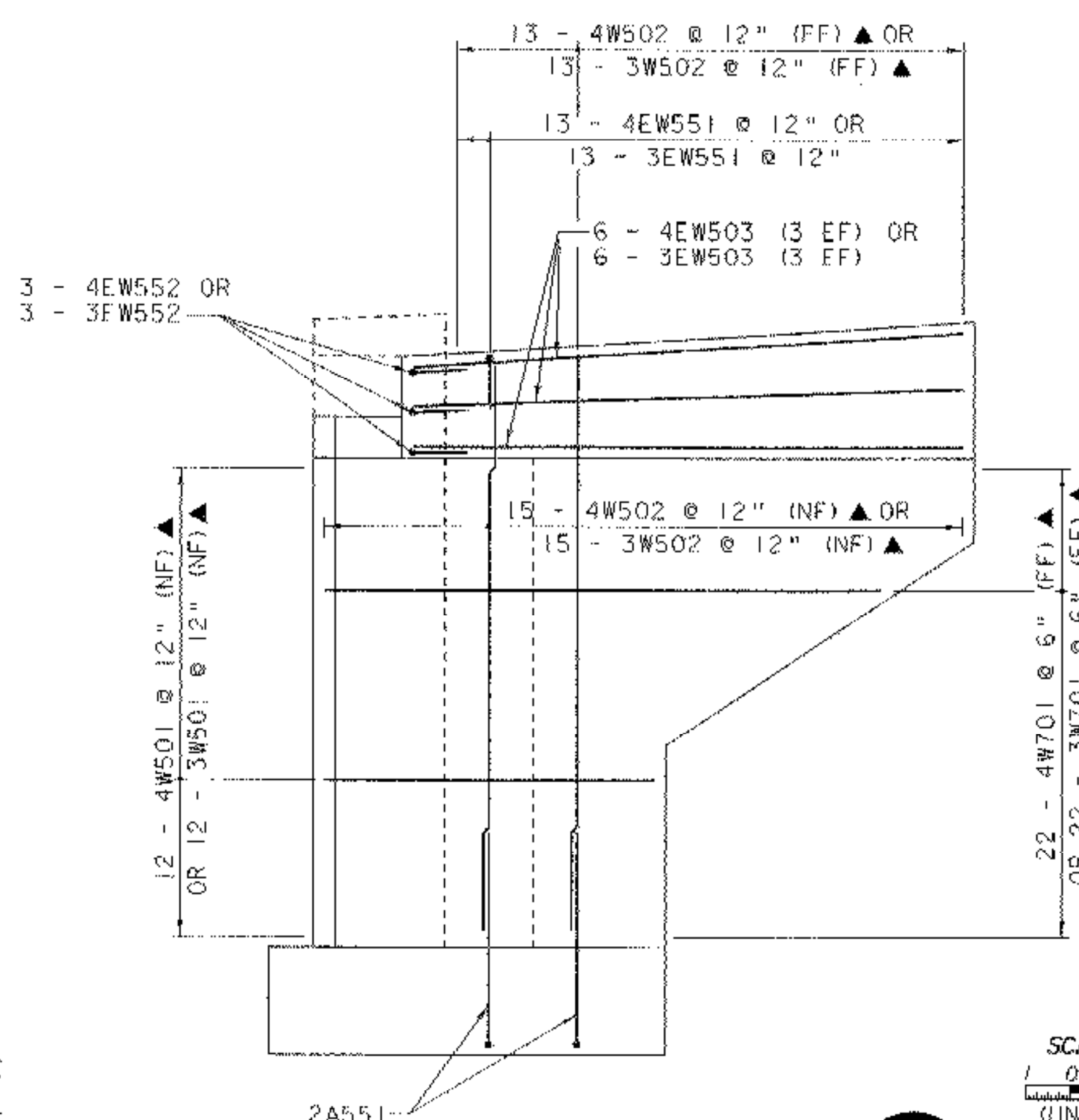
**SECTION B-B**  
(TREMIE SEAL NOT SHOWN)



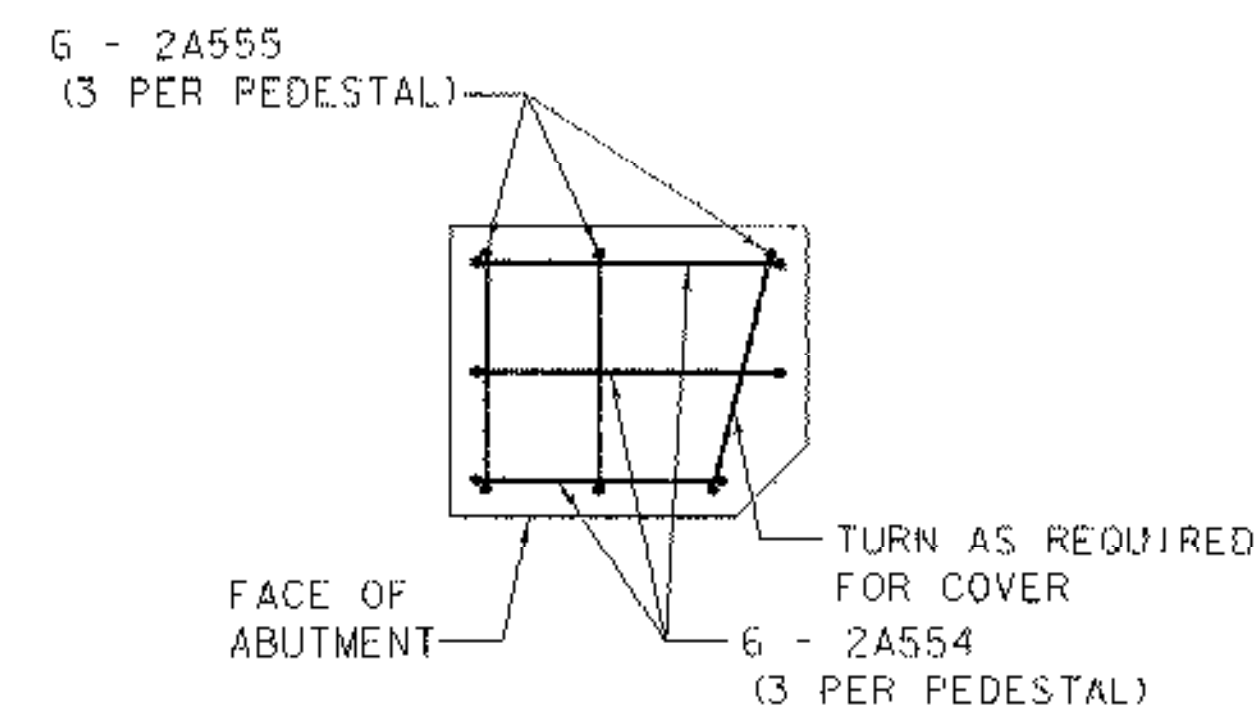
**SECTION C-C**  
(TREMIE SEAL NOT SHOWN)



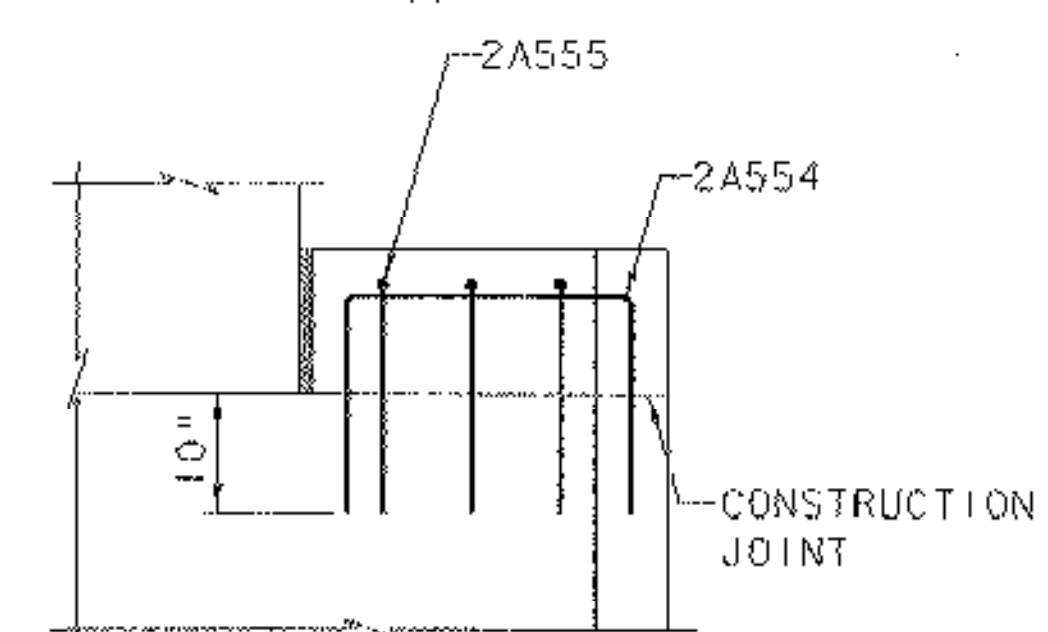
**ELEVATION**  
(TREMIE SEAL NOT SHOWN)



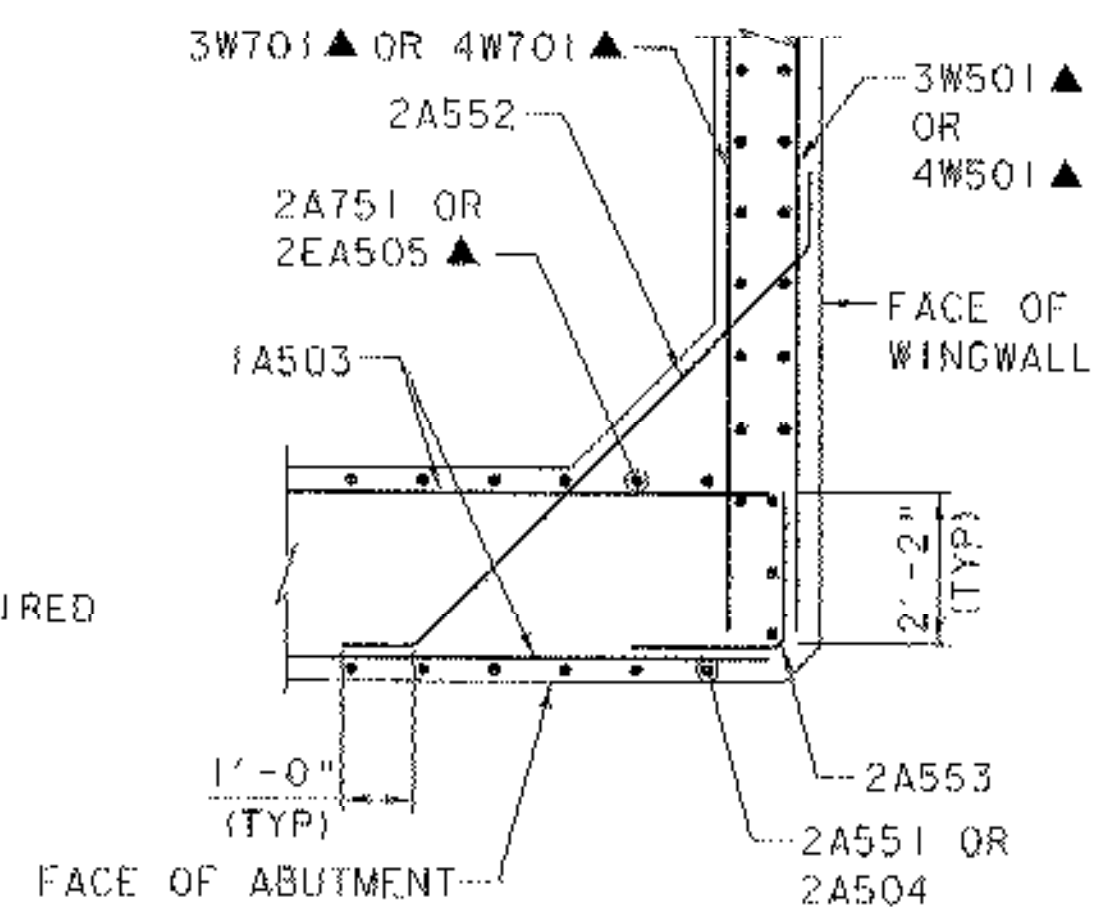
**WINGWALL #4 ELEVATION**  
(WINGWALL #3 SIMILAR, OPPOSITE HAND)  
(TREMIE SEAL NOT SHOWN)



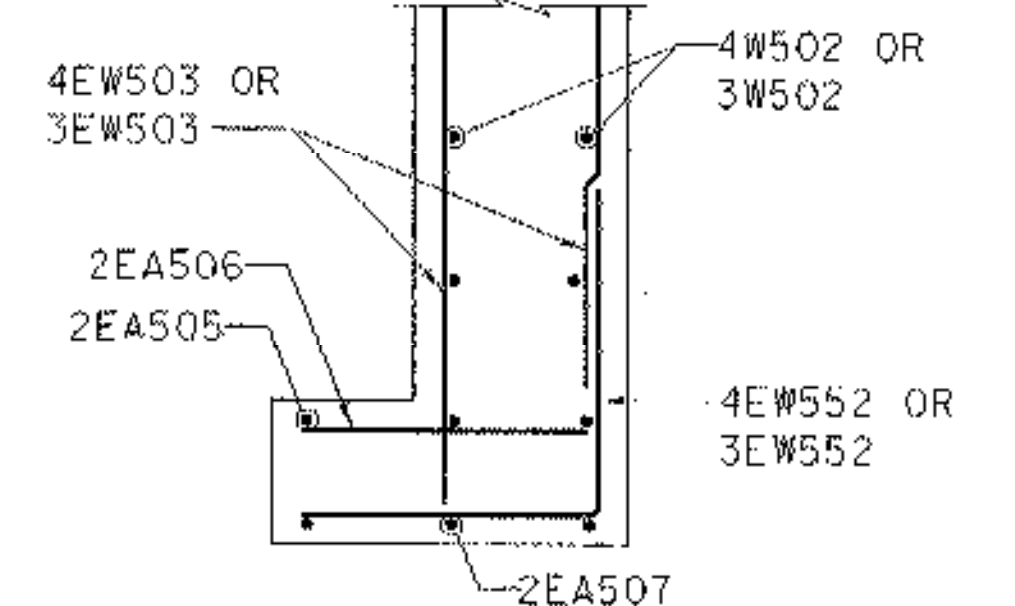
**TRUSS PEDESTAL PLAN**  
SCALE: 3/4" = 1'-0"



**TRUSS PEDESTAL ELEVATION**  
SCALE: 3/4" = 1'-0"



**SECTION D-D**



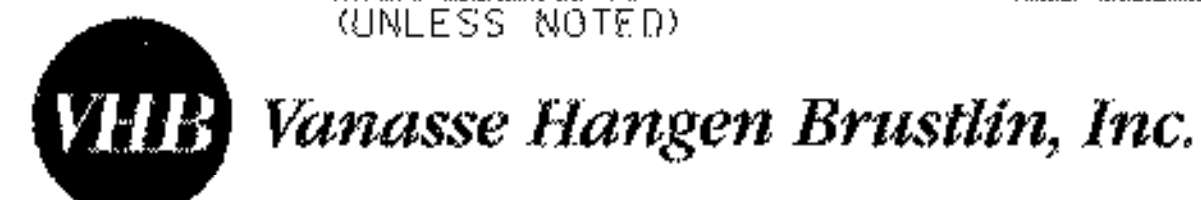
**SECTION E-E**  
(TRUSS PEDESTAL NOT SHOWN)  
SCALE: 3/4" = 1'-0"

**NOTE:**

NF - NEAR FACE  
FF - FAR FACE  
EF - EACH FACE  
▲ - CUT TO FIT IN FIELD  
3" CLR. UNLESS OTHERWISE SPECIFIED ON THE PLANS.

SCALE 3/8" = 1'-0"  
0 1 2 3 4  
(UNLESS NOTED)

SCALE 3/4" = 1'-0"  
0 1 2  
(UNLESS NOTED)



PROJECT NAME: RANDOLPH  
PROJECT NUMBER: BHO 1444 (44)

FILE NAME: 204146abut2rein.dgn  
PROJECT LEADER: S. HODGDON  
DESIGNED BY: S. HODGDON  
ABUTMENT NO 2 REINFORCEMENT

PLOT DATE: 26-JUN-2007  
DRAWN BY: J. WENTWORTH  
CHECKED BY: K. ZIENKIEWICZ  
SHEET 36 OF 39