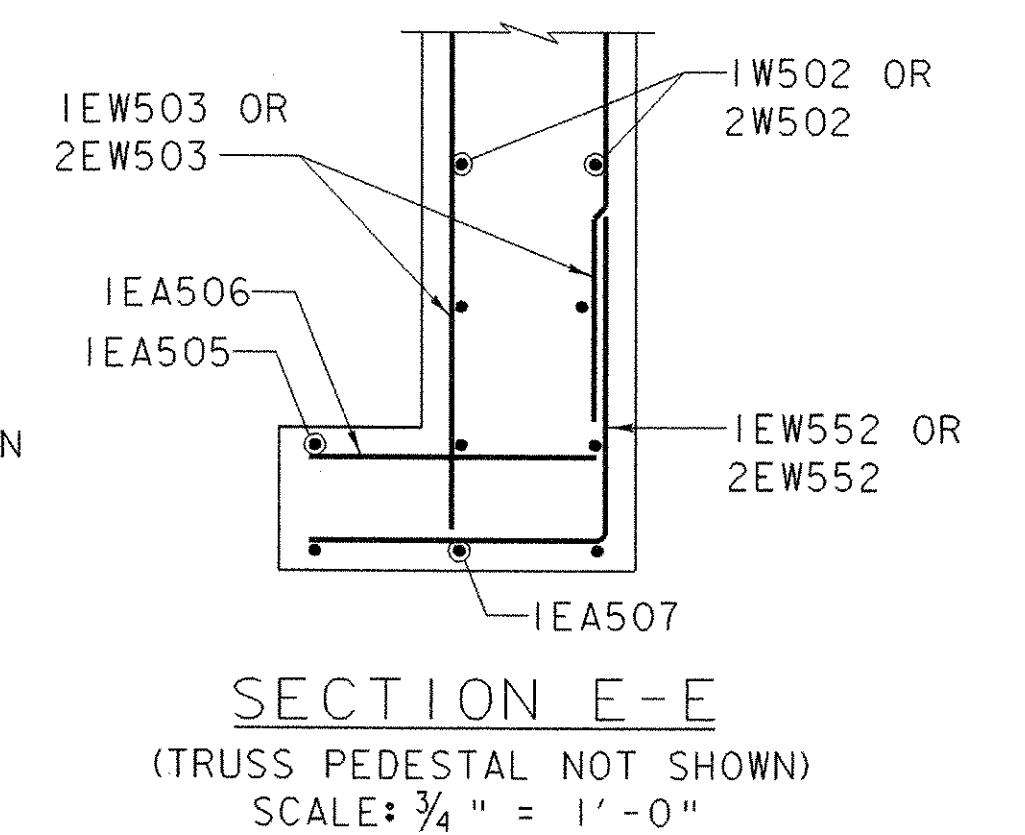
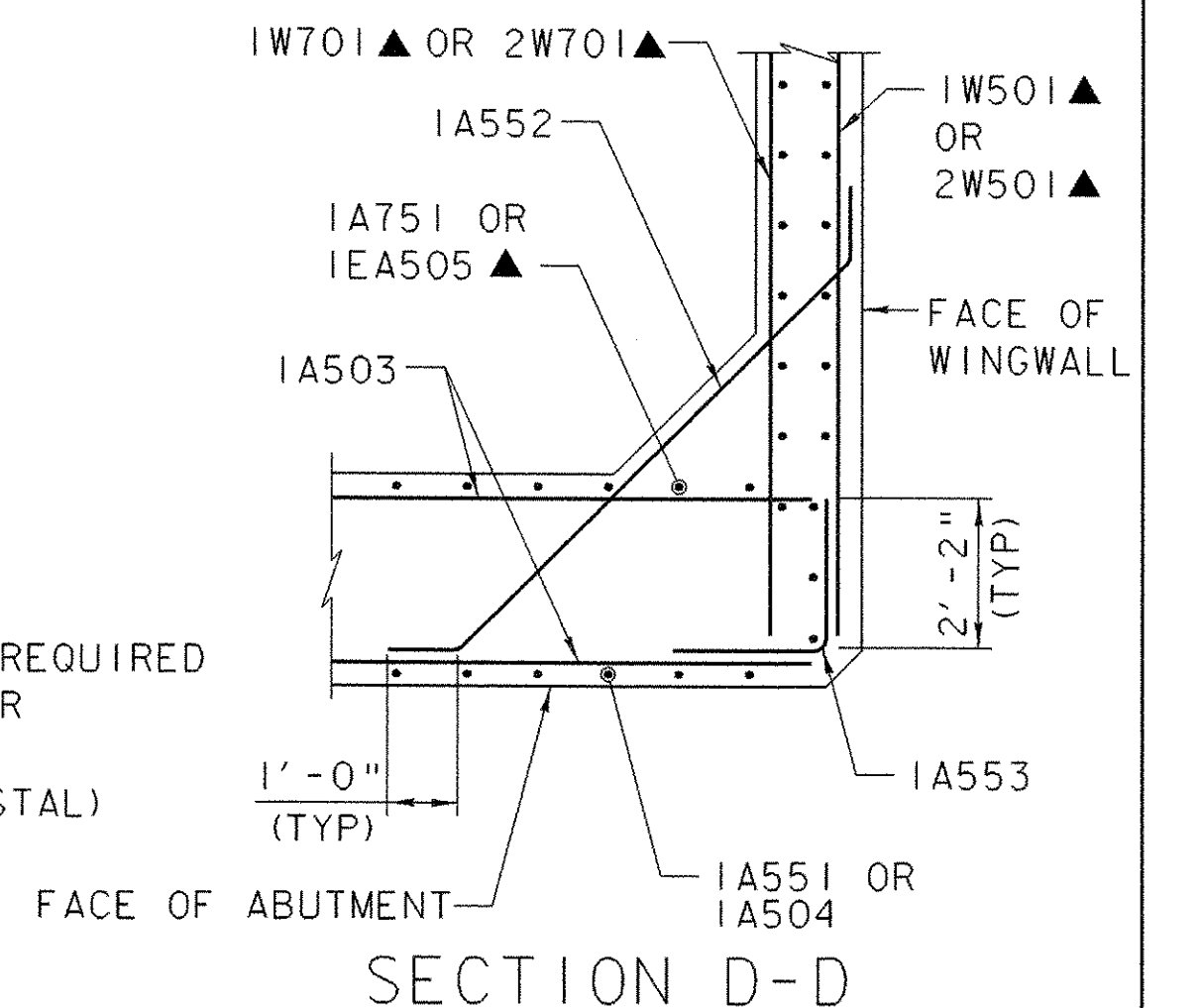
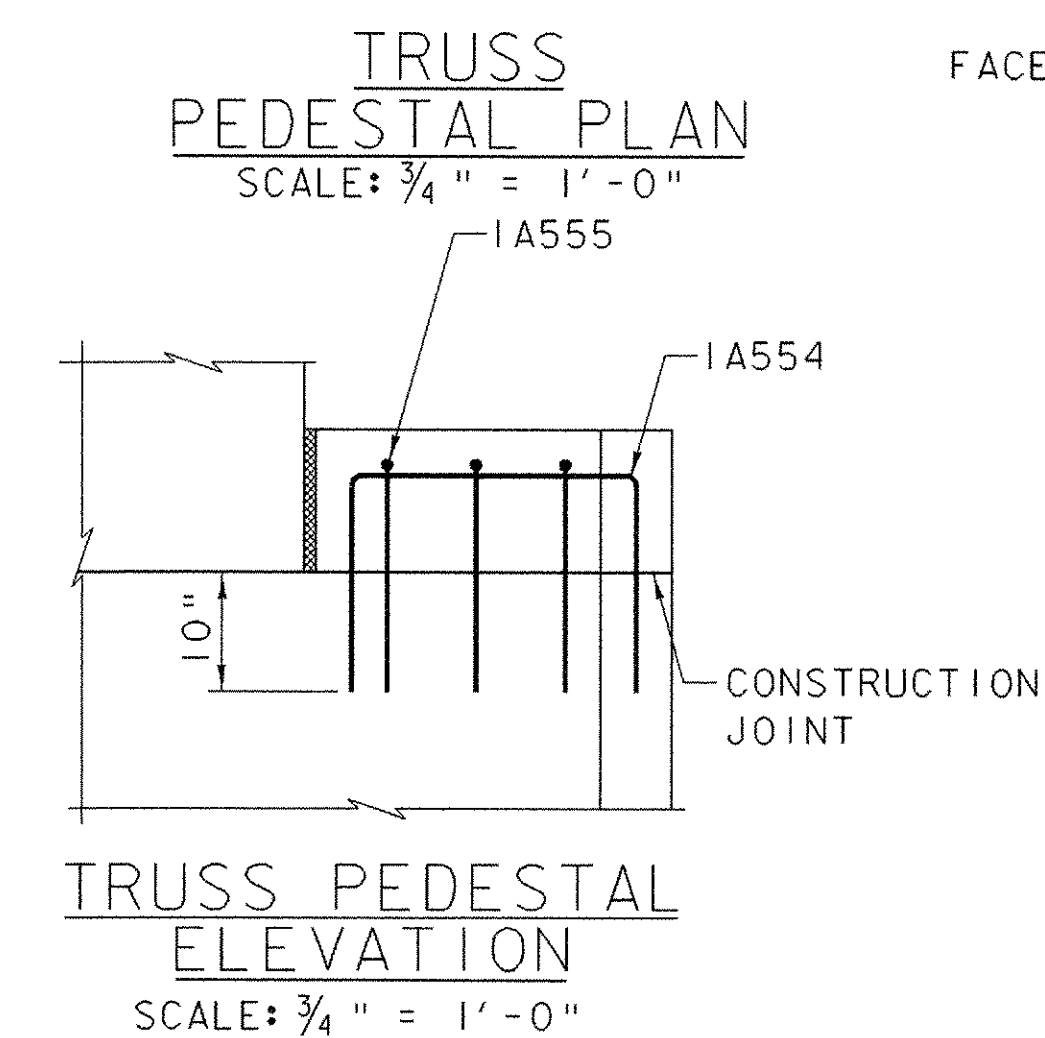
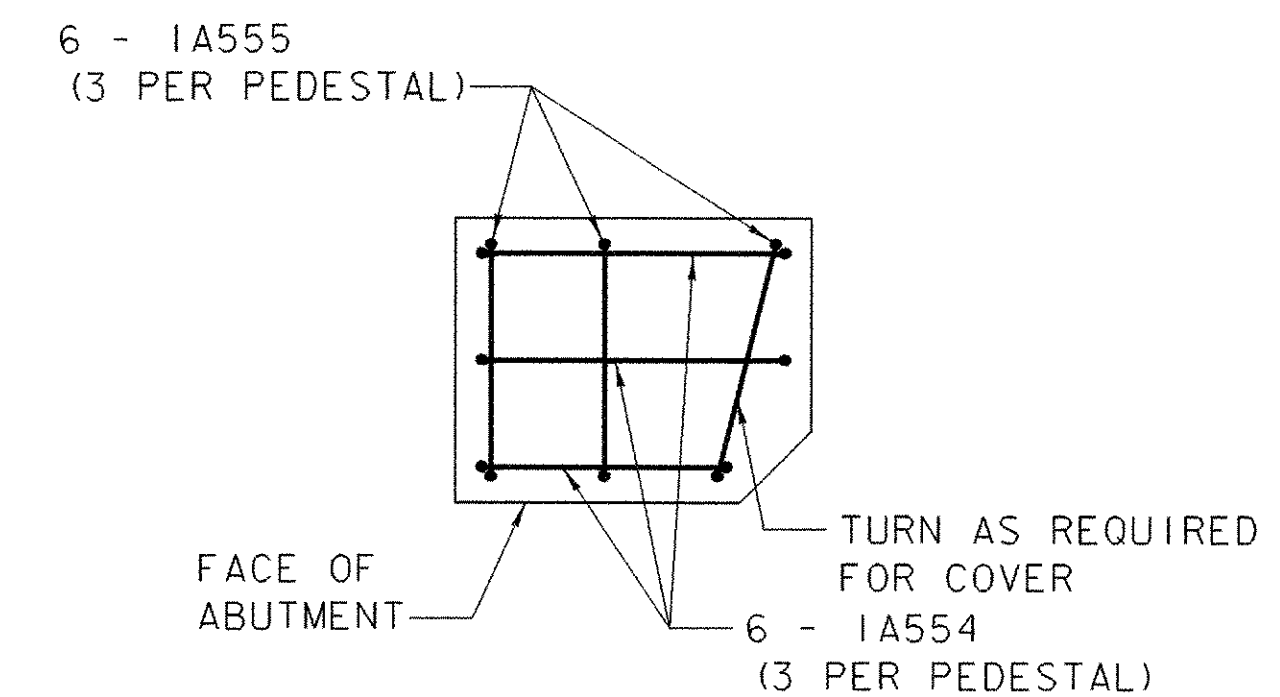
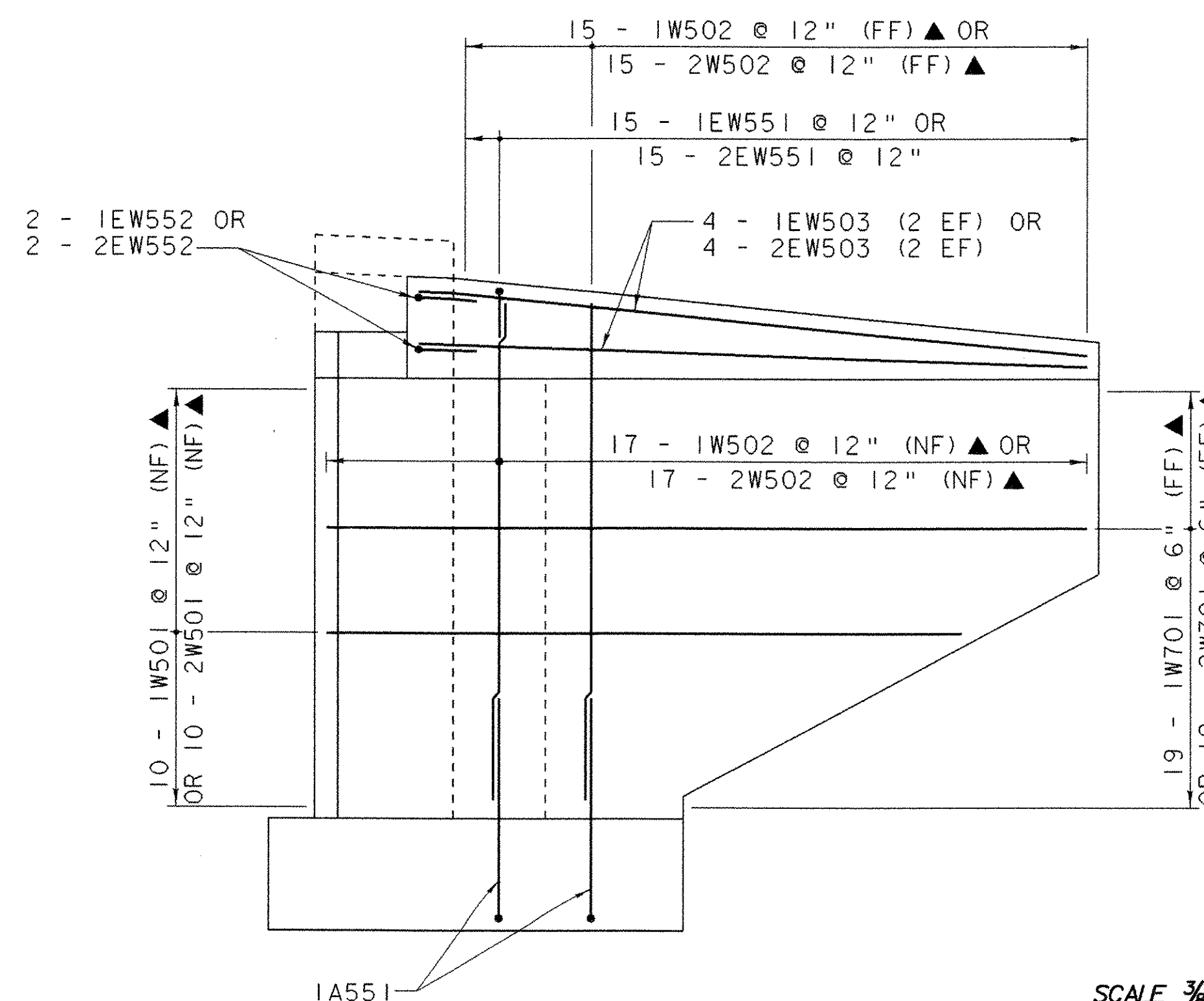


NOTE:
NF - NEAR FACE
FF - FAR FACE
EF - EACH FACE
▲ - CUT TO FIT IN FIELD
3" CLR, UNLESS OTHERWISE SPECIFIED ON THE PLANS.



SCALE 3/8" = 1'-0"
1 0 1 2 3 4
(UNLESS NOTED)

VHB Vanasse Hangen Brustlin, Inc.

PROJECT NAME: RANDOLPH
PROJECT NUMBER: BHO 1444 (44)

FILE NAME: z04j146abut1rein.dgn
PROJECT LEADER: S. HODGDON
DESIGNED BY: S. HODGDON
ABUTMENT NO 1 REINFORCEMENT

PLOT DATE: 26-JUN-2007
DRAWN BY: K. WENTWORTH
CHECKED BY: K. ZIENKIEWICZ
SHEET 34 OF 39