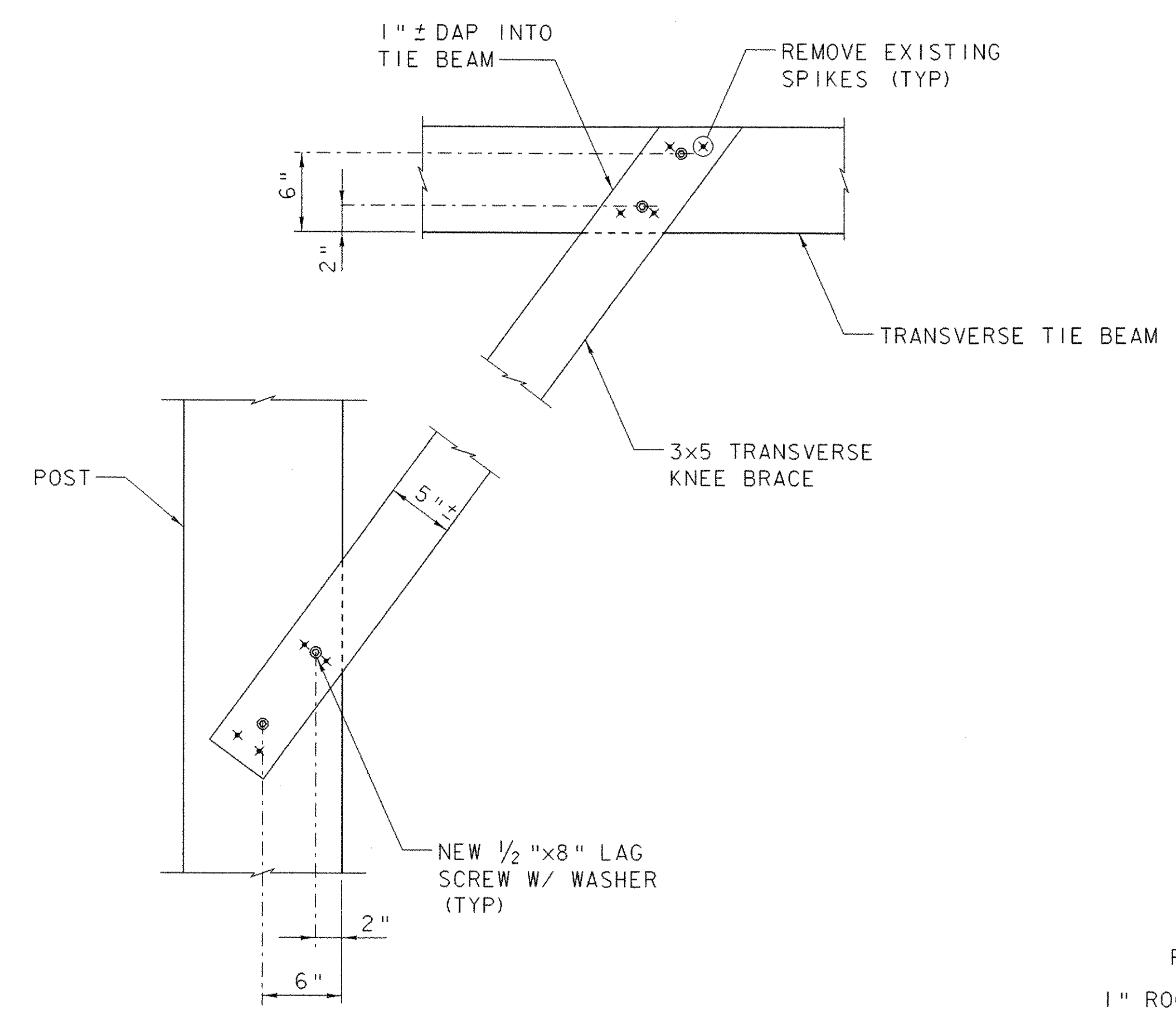
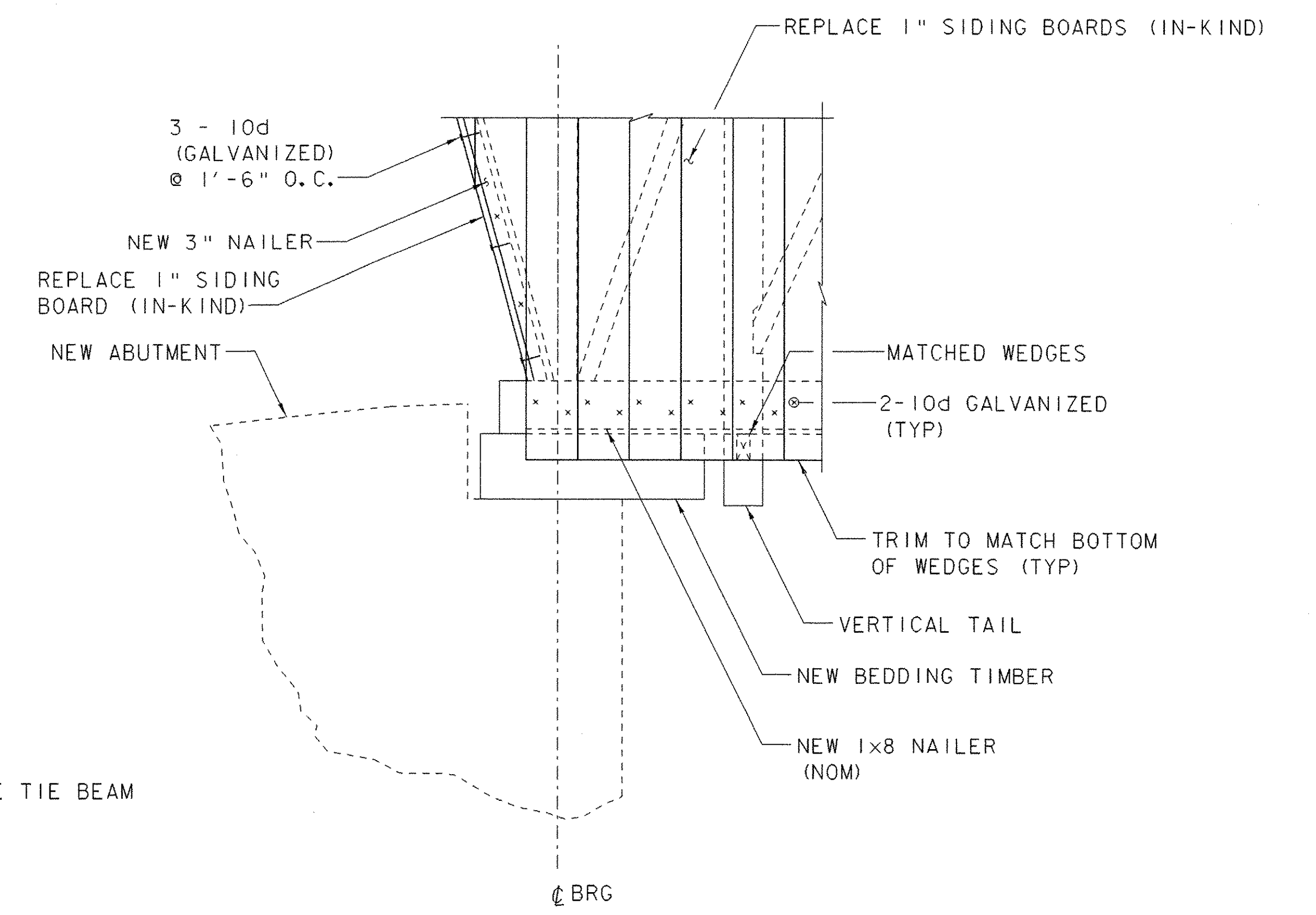


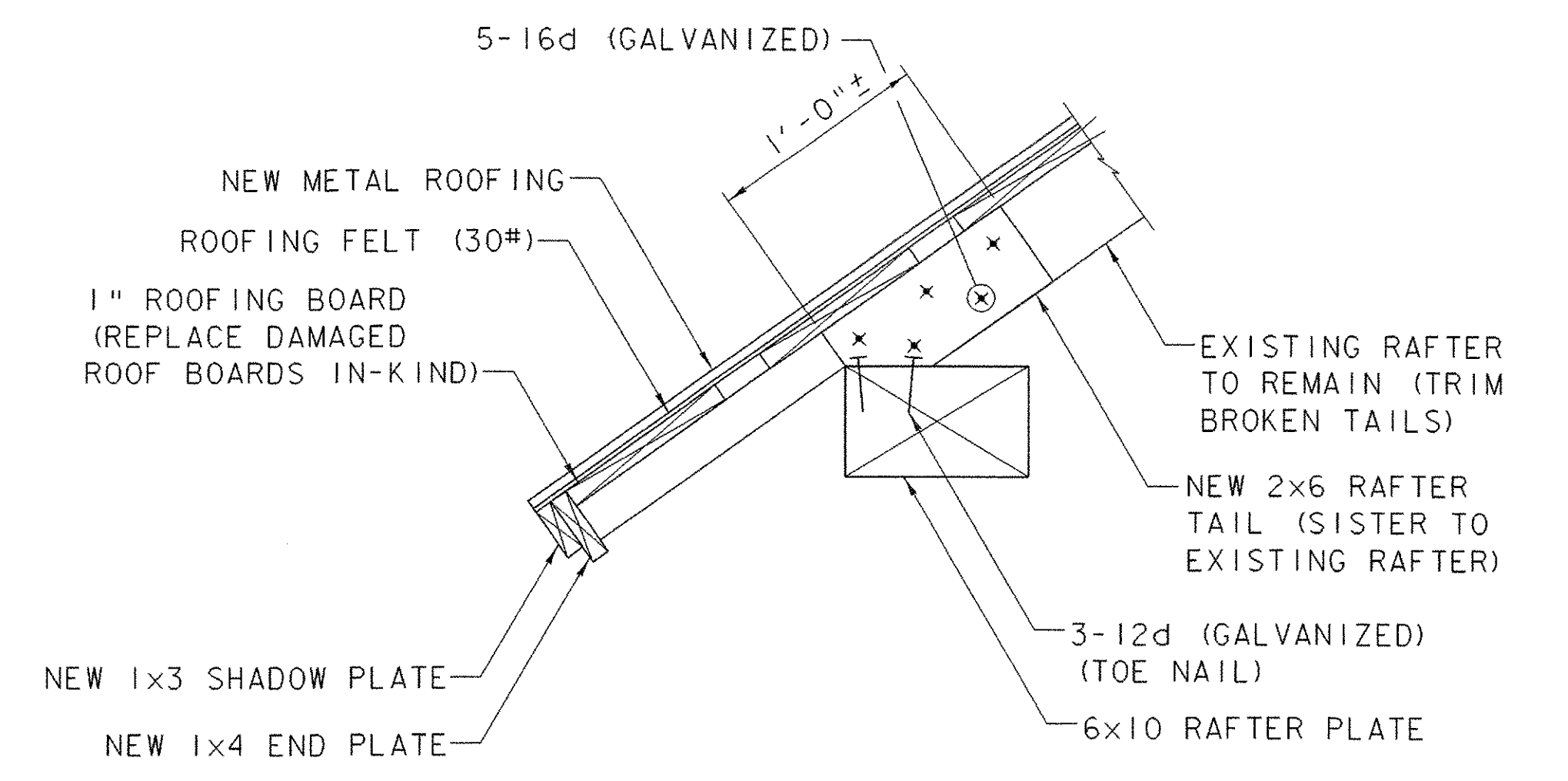
SIDING SECTION DETAIL
SCALE: 1 1/2" = 1'-0"



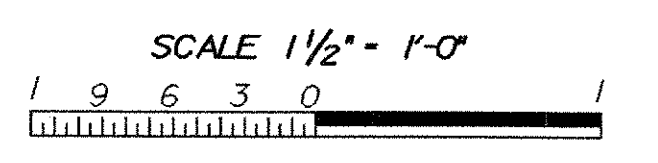
TRANSVERSE KNEE BRACE DETAIL
SCALE: 1 1/2" = 1'-0"



SIDING ELEVATION DETAIL
NOT TO SCALE



RAFTER TAIL DETAIL
SCALE: 1 1/2" = 1'-0"



PROJECT NAME: RANDOLPH	
PROJECT NUMBER: BHO 1444 (44)	
FILE NAME: z04j146de+3.dgn	PLOT DATE: 26-JUN-2007
PROJECT LEADER: S. HODGDON	DRAWN BY: K. WENTWORTH
DESIGNED BY: S. HODGDON	CHECKED BY: K. ZIENKIEWICZ
BRIDGE DETAILS SHEET (3 OF 3)	SHEET 32 OF 39

