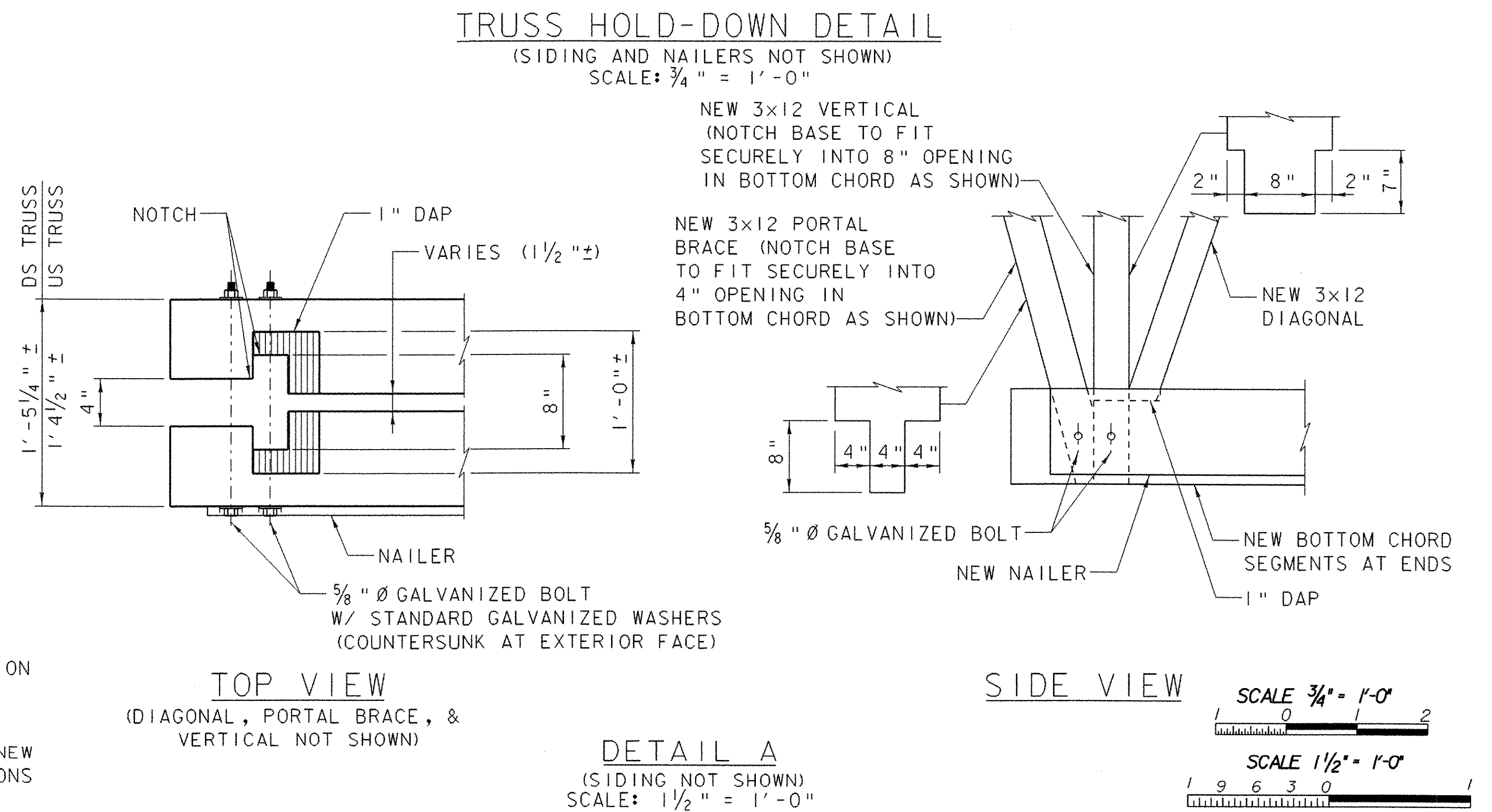
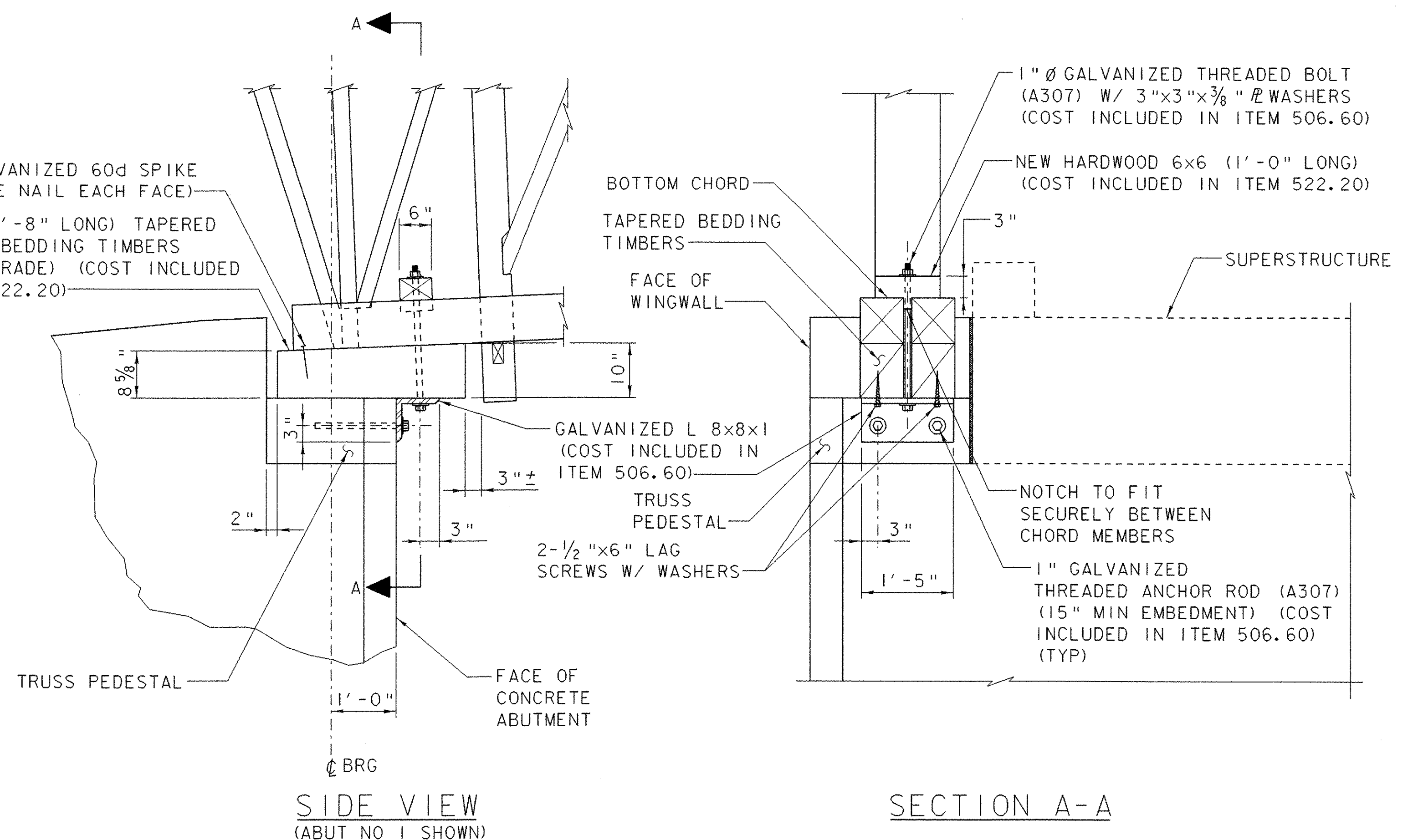
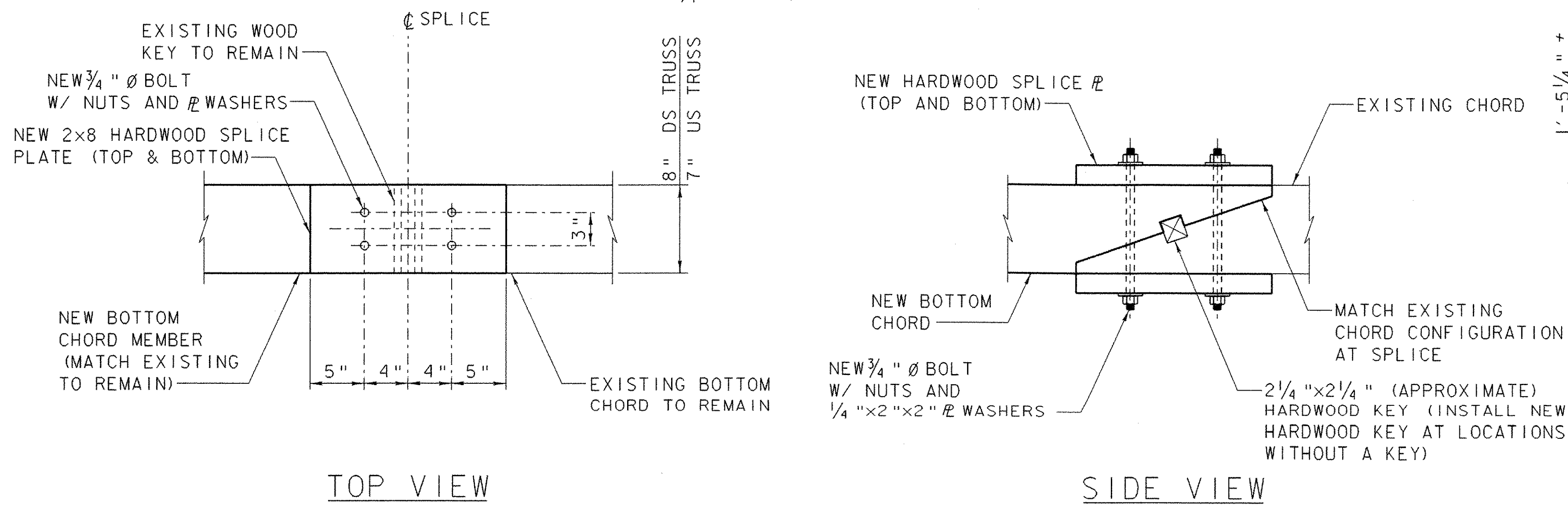


TRUSS END PANEL LENGTH MODIFICATIONS  
SCALE: 3/4" = 1'-0"



PROJECT NAME: RANDOLPH	PROJECT NUMBER: BHO 1444 (44)
FILE NAME: z04j146det1.dgn	PLOT DATE: 26-JUN-2007
PROJECT LEADER: S. HODGDON	DRAWN BY: K. WENTWORTH
DESIGNED BY: S. HODGDON	CHECKED BY: K. ZIENKIEWICZ
BRIDGE DETAILS SHEET (1 OF 3)	SHEET 30 OF 39