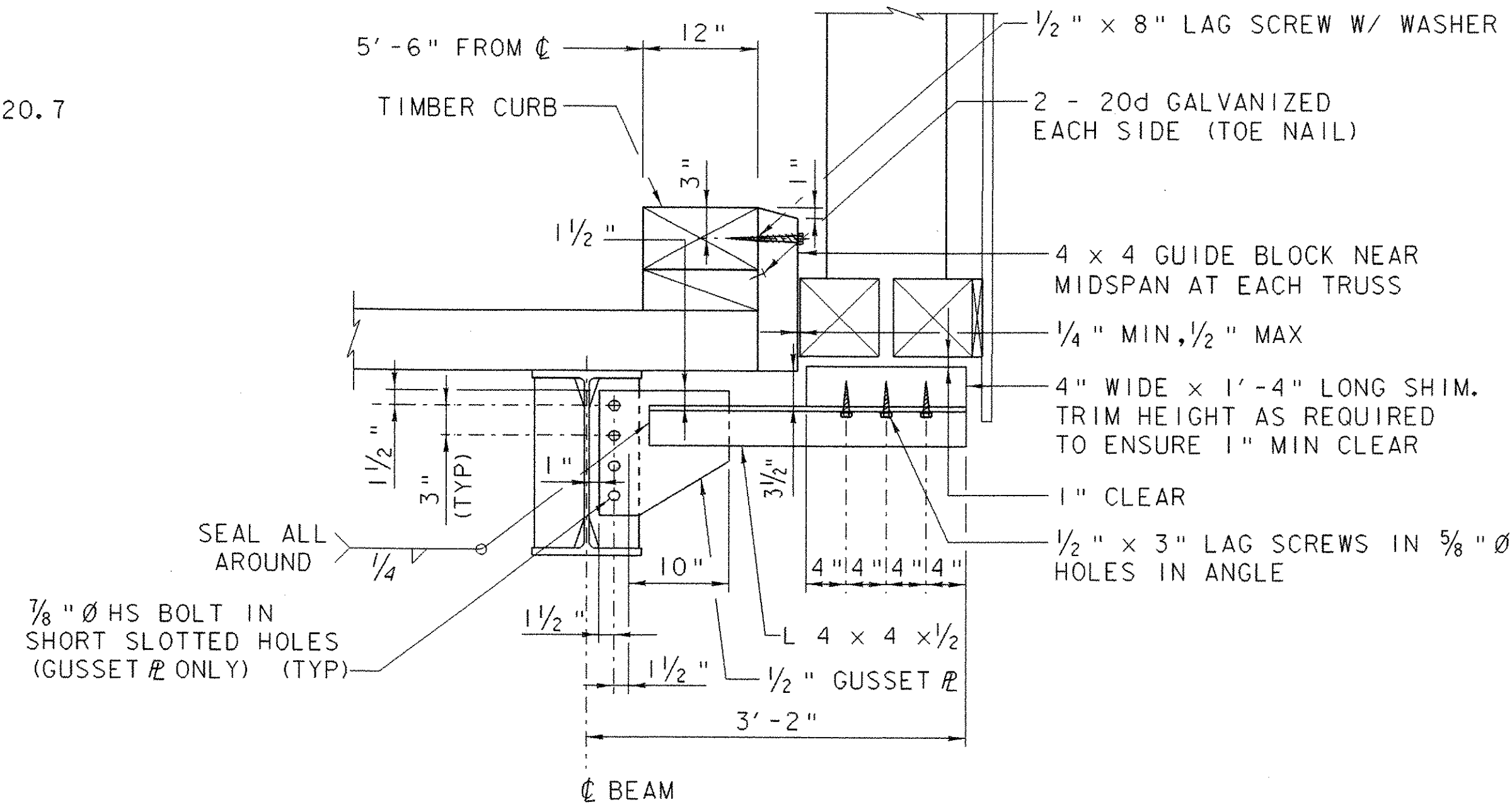
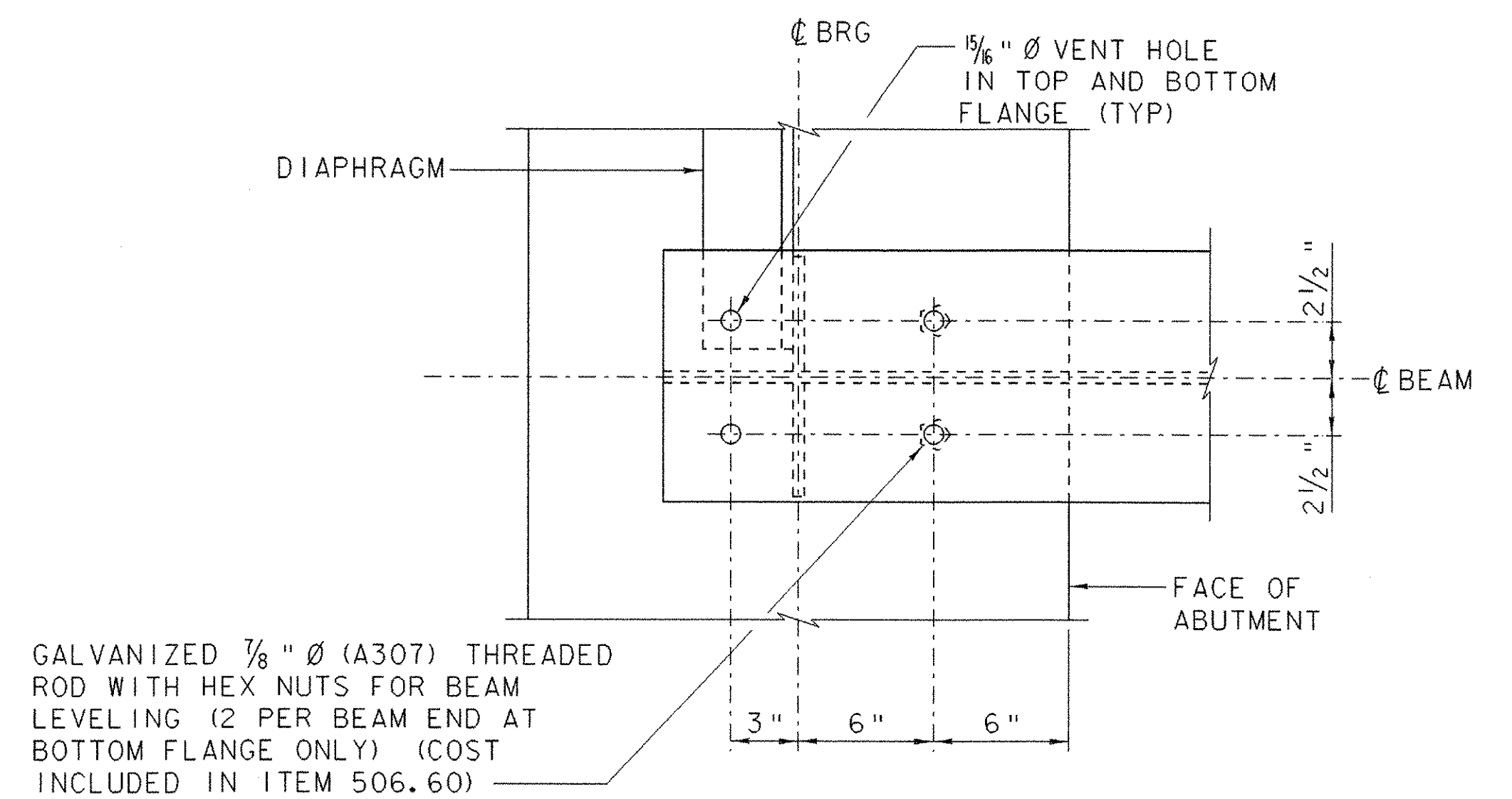


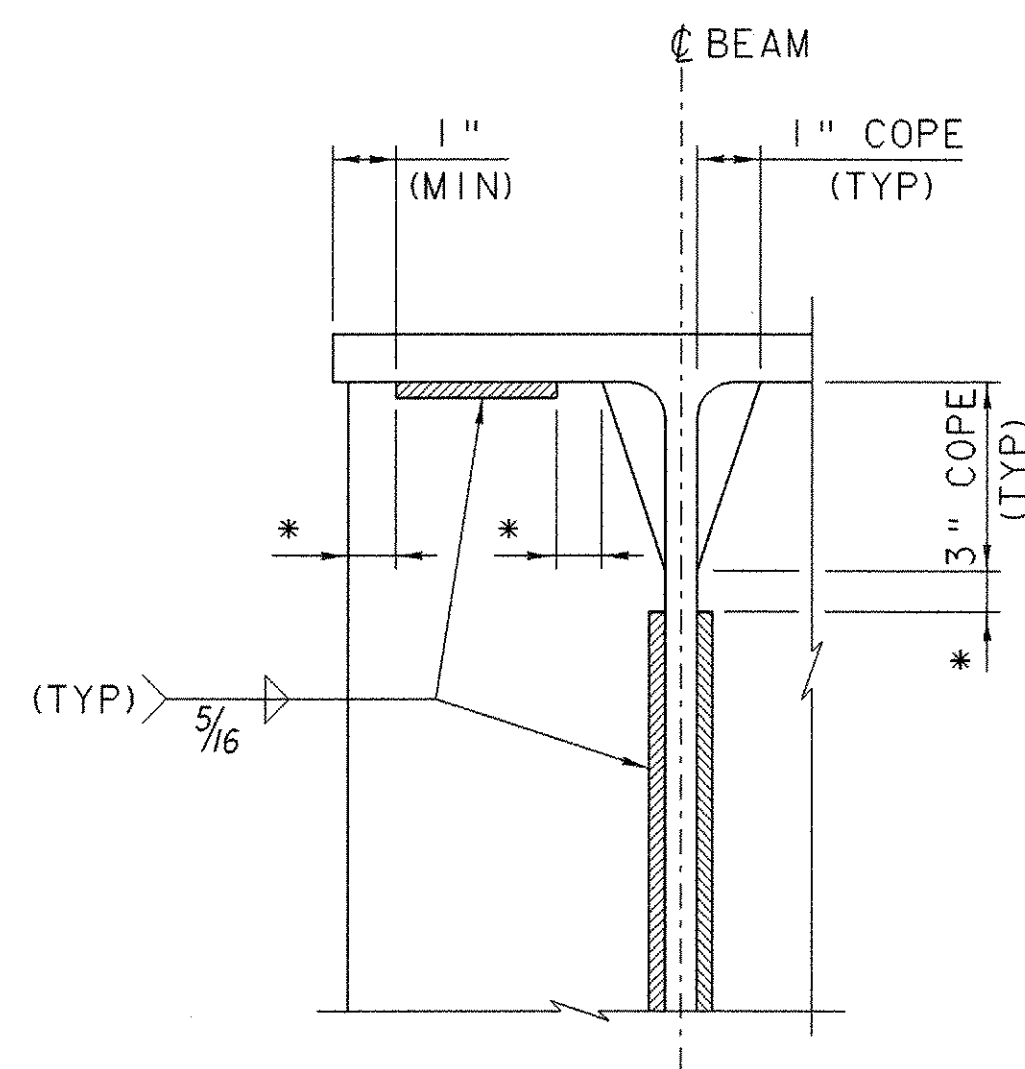
**DIAPHRAGM CONNECTION
DETAIL**
NOT TO SCALE



TRUSS RETAINER BRACKET DETAIL
SCALE: 1" = 1'-0"

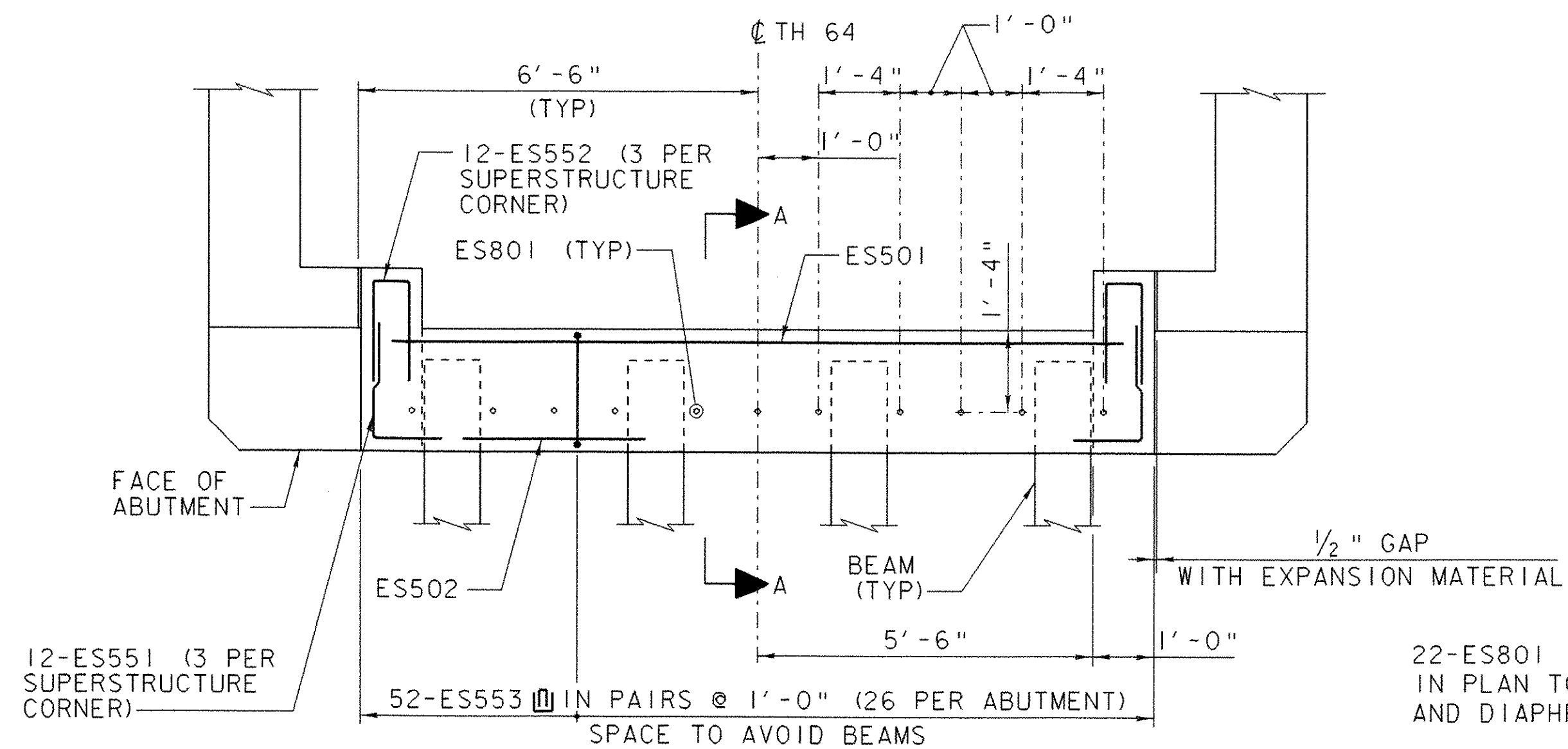


**VENT HOLE DETAIL
AT FLANGE ENDS**
NOT TO SCALE

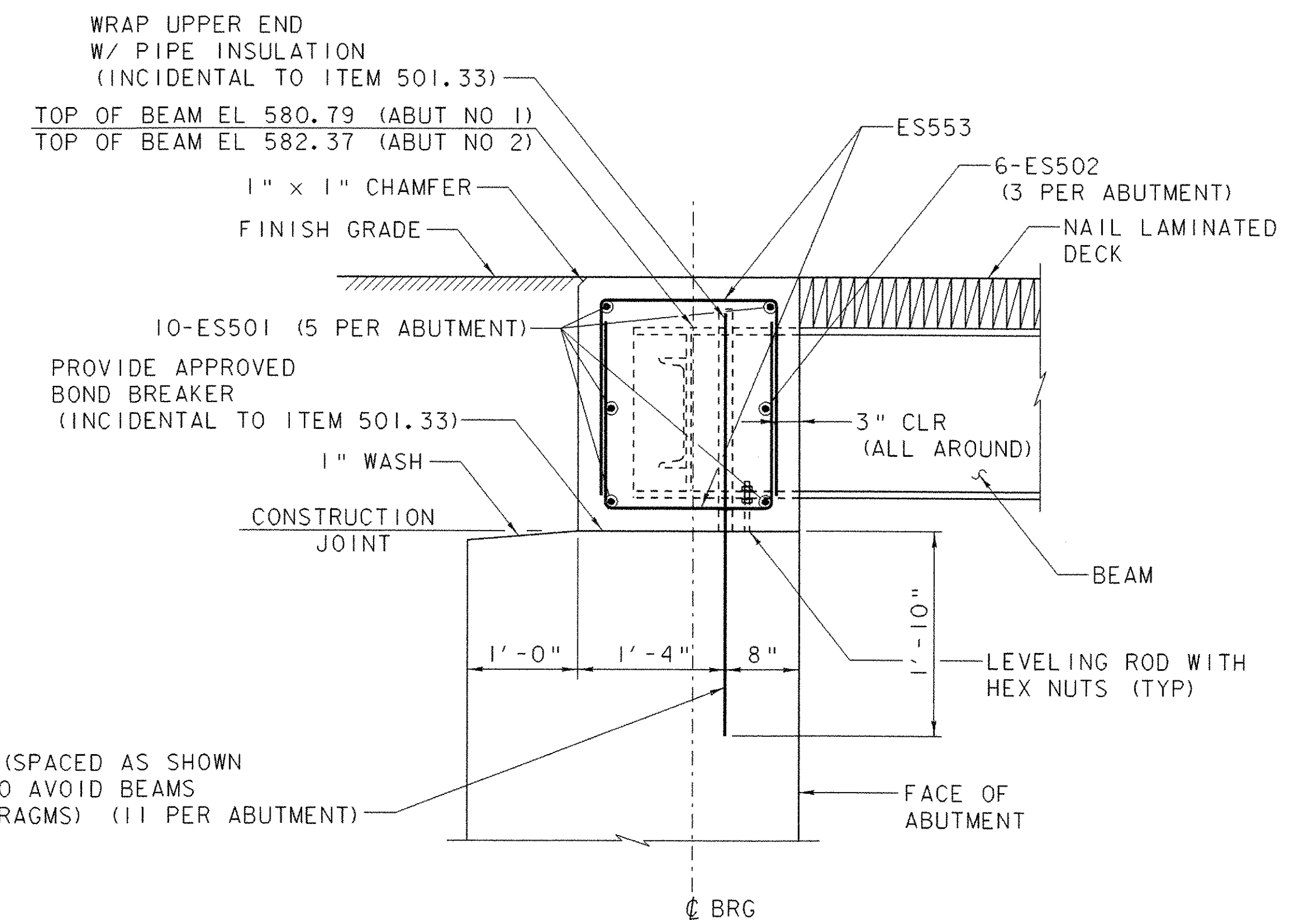


CONNECTION PLATE DETAIL
NOT TO SCALE

* = NO WELD FOR 3/8" MIN, 3/4" MAX,
(EXCEPT MUST MAINTAIN 1" MINIMUM FROM
EDGE OF FLANGE)



SUPERSTRUCTURE CURTAIN WALL PLAN
SCALE: 1/2" = 1'-0"



SECTION A-A
SCALE: 1" = 1'-0"