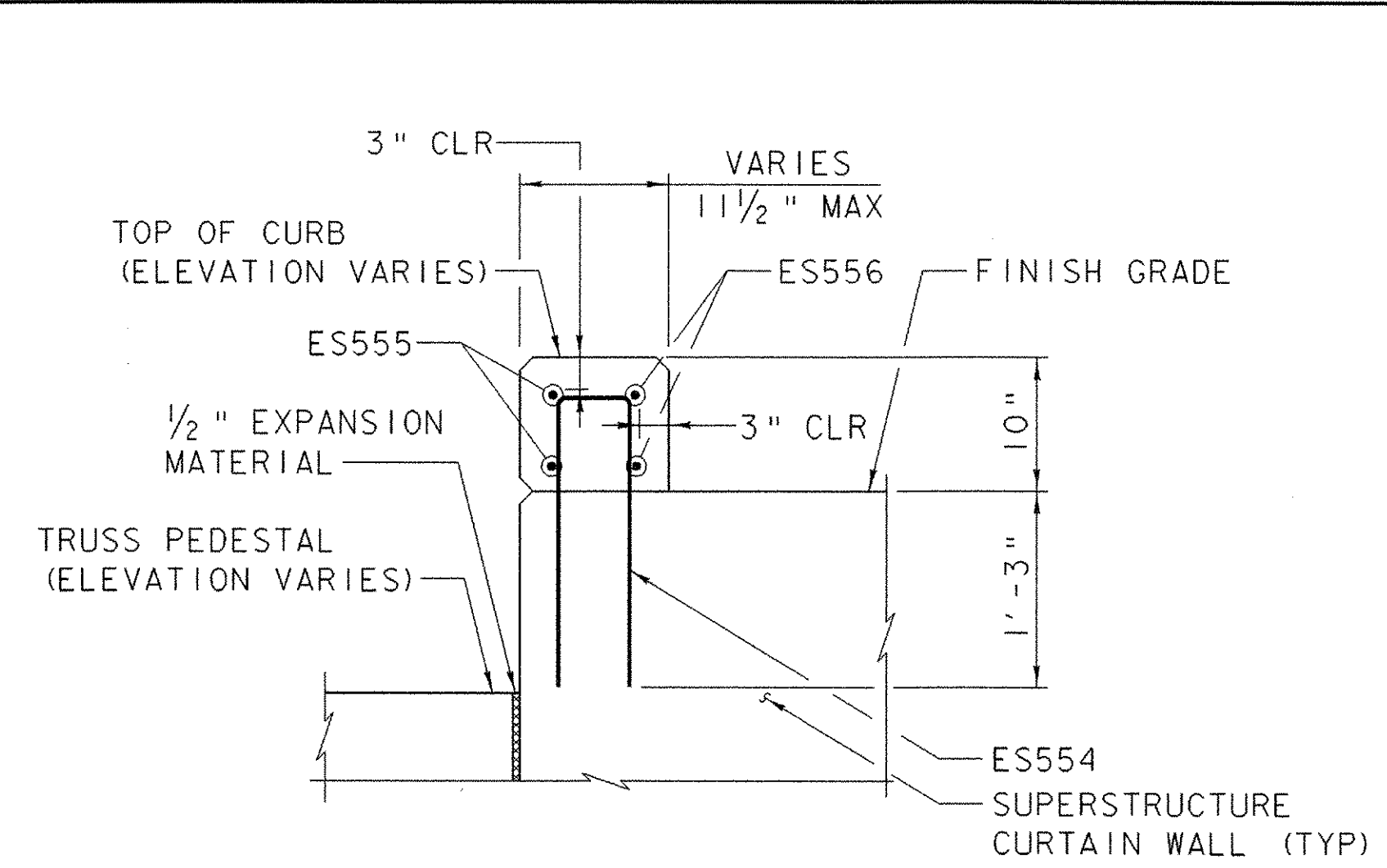
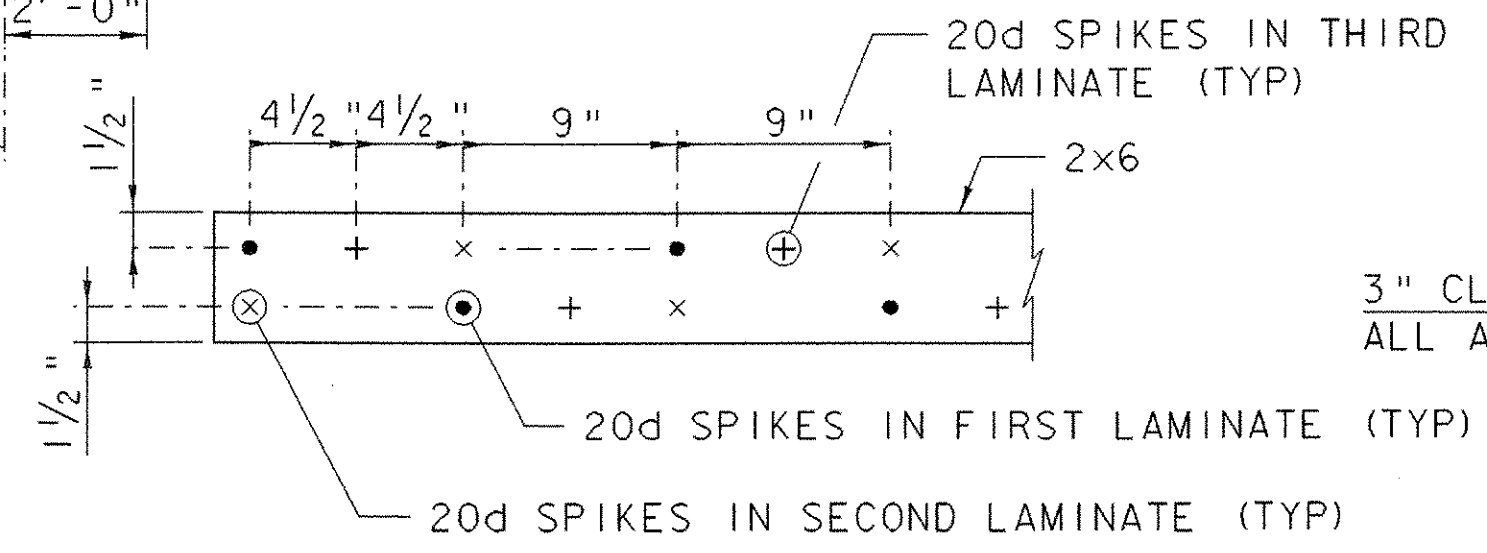


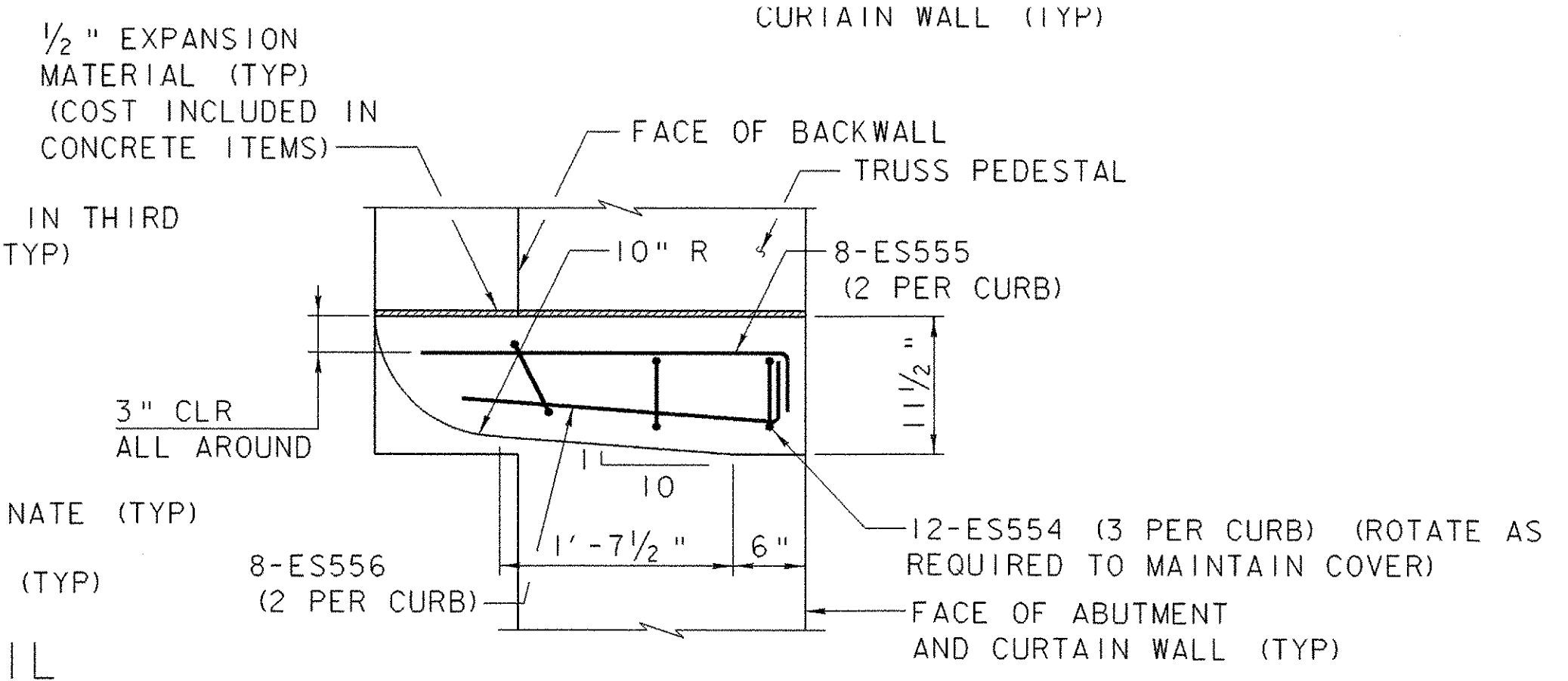
SUPERSTRUCTURE PLAN
 (TRUSS, RETAINER BRACKET, AND GUIDE BLOCK NOT SHOWN)
 SCALE: 3/8" = 1'-0"



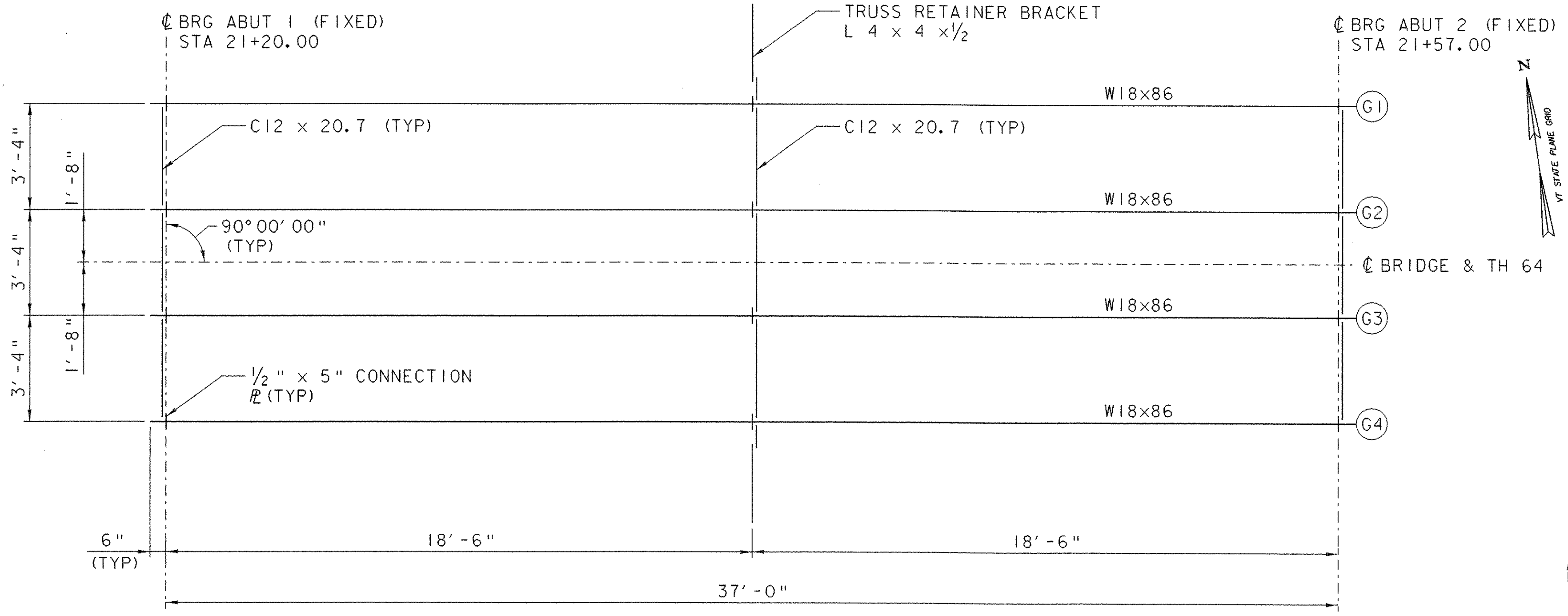
CONCRETE CURB DETAIL SECTION
 SCALE: 1" = 1'-0"



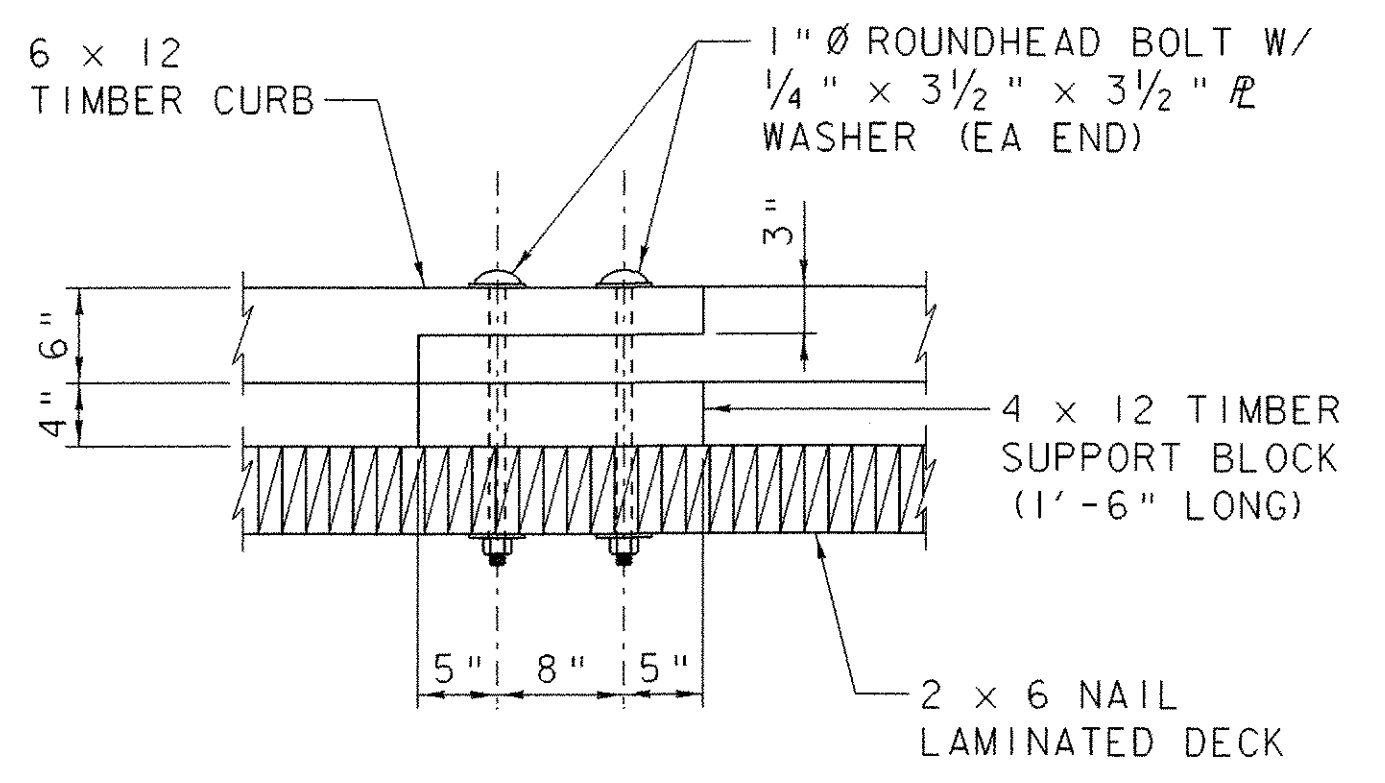
NAIL LAMINATED DECK DETAIL
 NOT TO SCALE



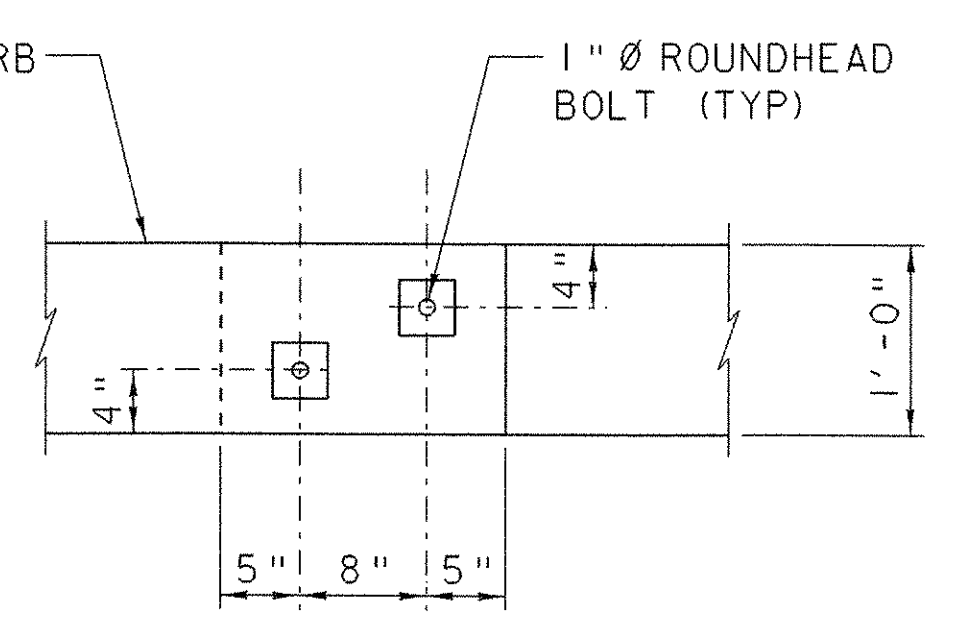
CONCRETE CURB DETAIL PLAN
 SCALE: 1" = 1'-0"



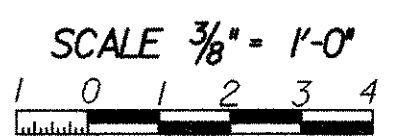
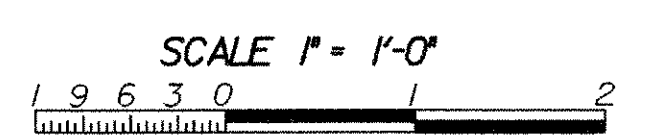
FRAMING PLAN
 SCALE: 3/8" = 1'-0"



DETAIL 'A' ELEVATION
 SCALE: 1" = 1'-0"



DETAIL 'A' PLAN
 SCALE: 1" = 1'-0"



PROJECT NAME: RANDOLPH	FILE NAME: z04j146ssdl.dgn	PLOT DATE: 26-JUN-2007
PROJECT NUMBER: BHO 1444 (44)	PROJECT LEADER: S. HODGDON	DRAWN BY: K. WENTWORTH
	DESIGNED BY: K. ZIENKIEWICZ	CHECKED BY: S. HODGDON
	SUPERSTRUCTURE DETAILS SHEET (1 OF 2)	SHEET 26 OF 39