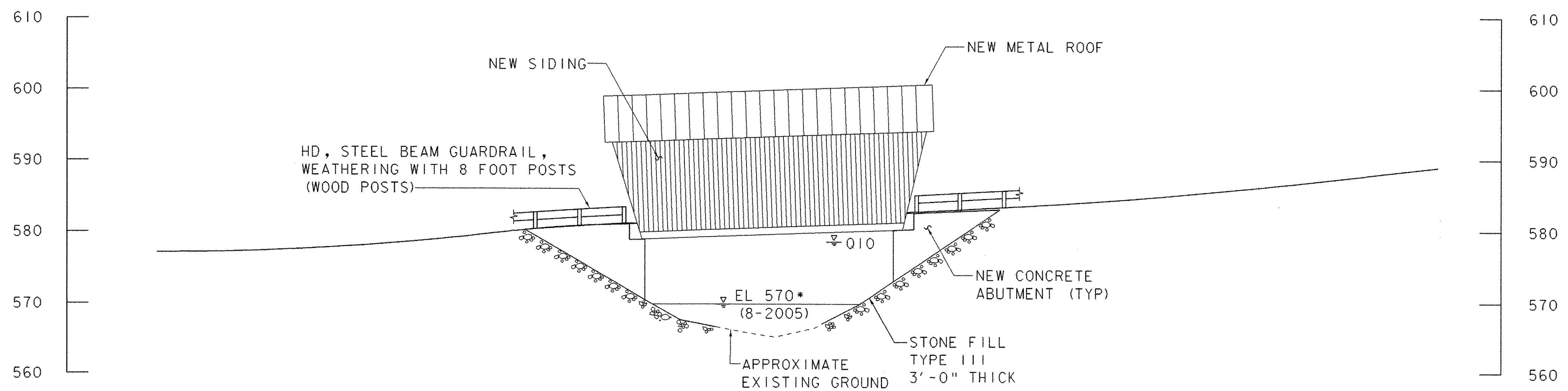


PLAN



ELEVATION

- NOTES:
1. SEE ROADWAY PLAN SHEET FOR GUARDRAIL STATIONING.
  2. VARIABLE WIDTH TRAVEL WAY LINES NOT SHOWN FOR CLARITY. SEE CROSS SECTIONS FOR ROADWAY TRAVEL WAY AND SLOPE BREAK INFORMATION.

PROJECT NAME: RANDOLPH	
PROJECT NUMBER: BHO 1444 (44)	
FILE NAME: z04j146pe.dgn	PLOT DATE: 03-JUL-2007
PROJECT LEADER: S. HODGDON	DRAWN BY: K. WENTWORTH
DESIGNED BY: K. ZIENKIEWICZ	CHECKED BY: S. HODGDON
PLAN AND ELEVATION SHEET	SHEET 24 OF 39

