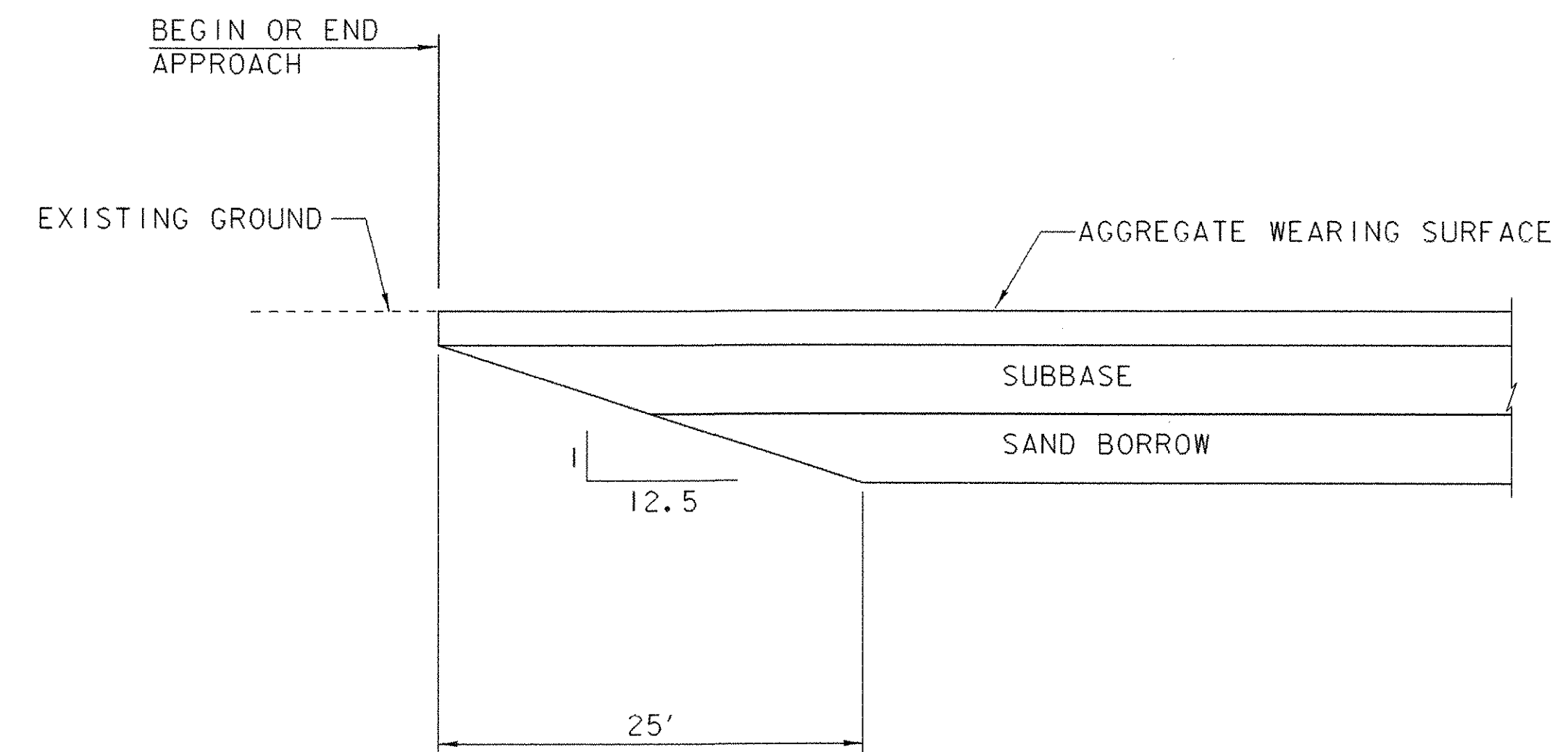


TYPICAL CHANNEL SECTION

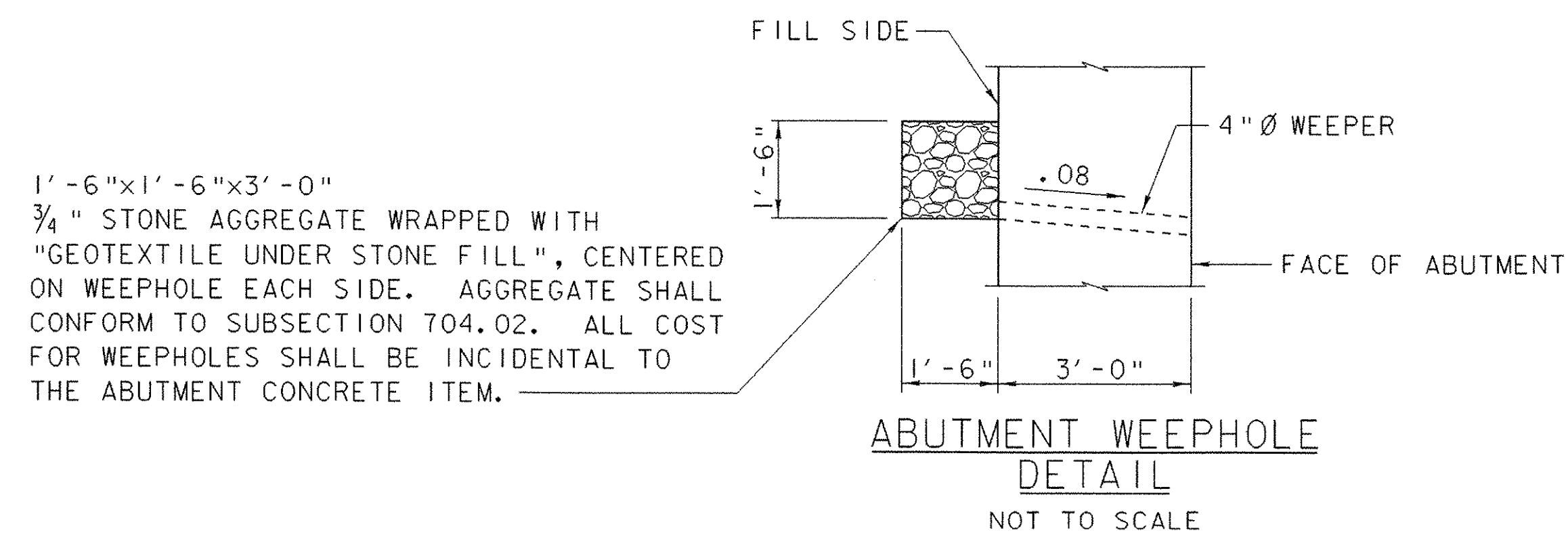
NOT TO SCALE

*GRUBBING MATERIAL SHALL NOT BE PLACED ON THE STONE FILL IN THE AREA UNDER THE BRIDGE. WHENEVER CHANNEL SLOPE INTERSECTS ROADWAY SUBBASE, GRUBBING MATERIAL SHALL BEGIN AT THE BOTTOM OF SUBBASE. SEE PLAN SHEETS AND CROSS SECTIONS FOR LOCATIONS AND LIMITS OF STONE FILL.



SUBBASE TRANSITION DETAIL

NOT TO SCALE



ABUTMENT WEEPHOLE DETAIL

NOT TO SCALE



PROJECT NAME: RANDOLPH
PROJECT NUMBER: BHO 1444 (44)

FILE NAME: z04j146+typ.dgn PLOT DATE: 26-JUN-2007
PROJECT LEADER: S. HODGDON DRAWN BY: K. WENTWORTH
DESIGNED BY: S. HODGDON CHECKED BY: K. ZIENKIEWICZ
TYPICAL SECTIONS & DETAILS SHEET (2 OF 2) SHEET 4 OF 39