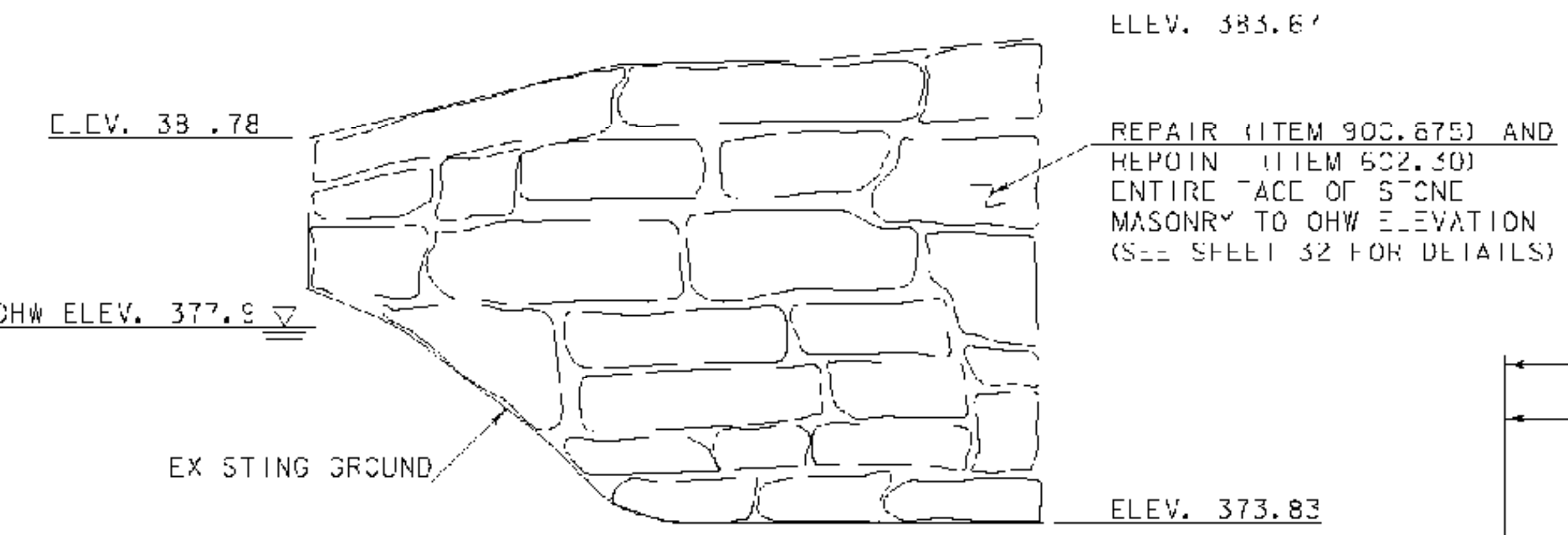
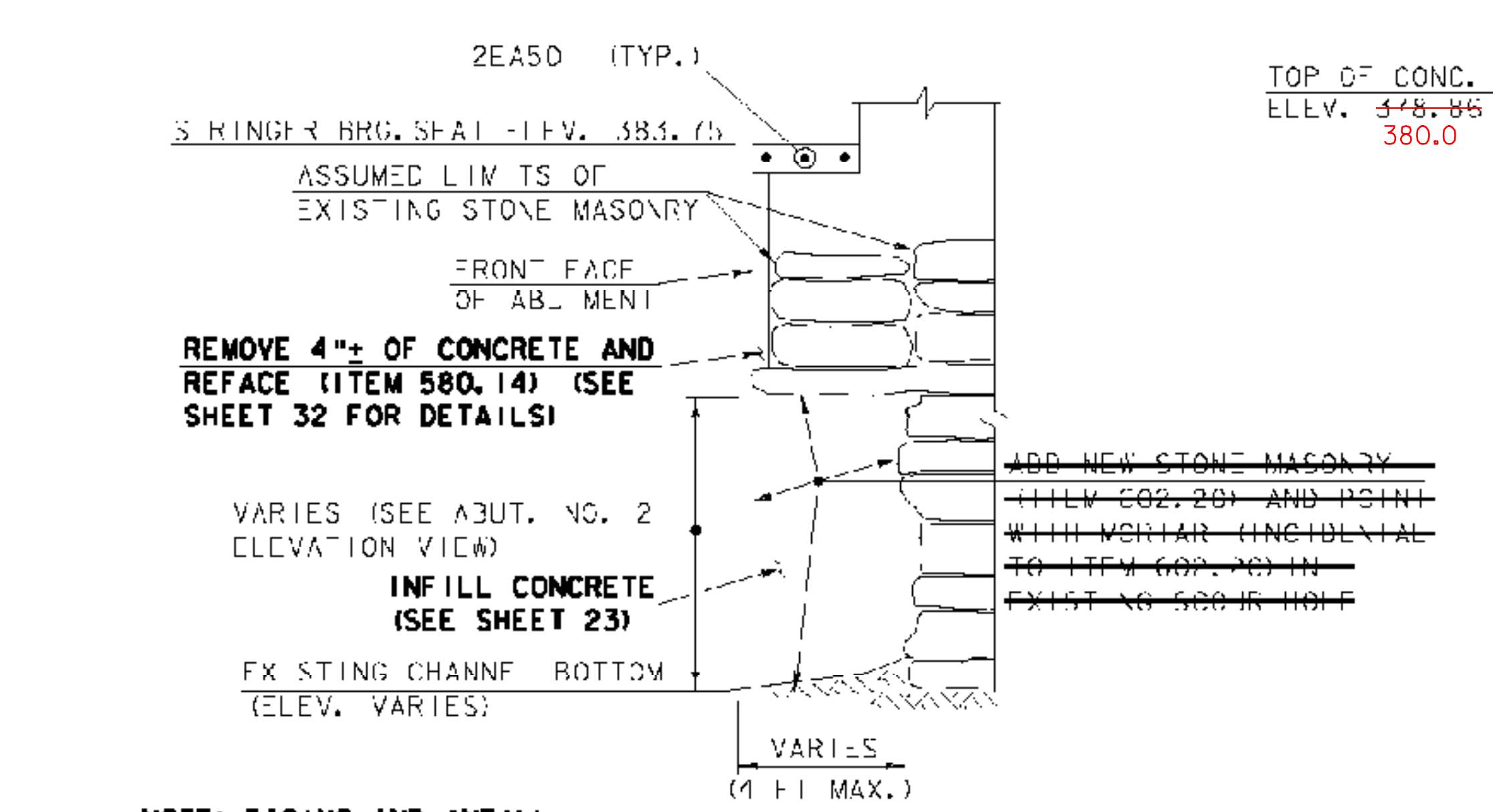


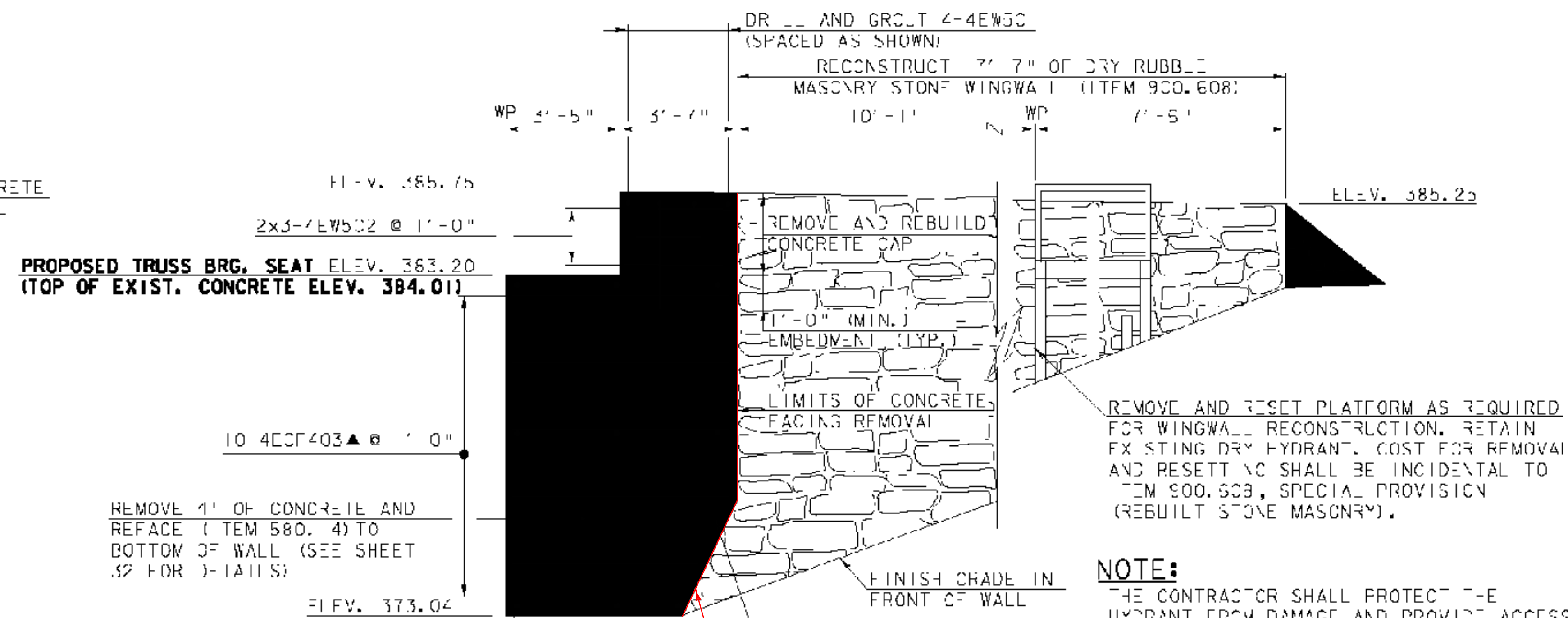
WINGWALL NO. 1 ELEVATION
SCALE: 3/8" = 1'-0"



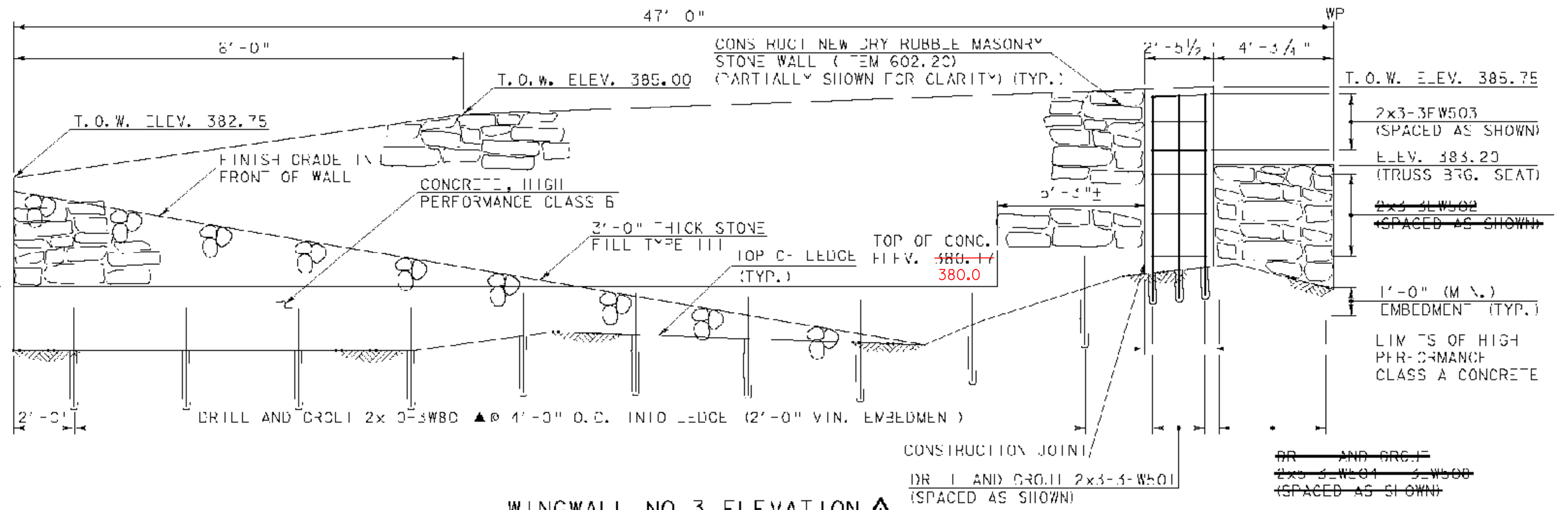
WINGWALL NO. 2 ELEVATION
SCALE: 3/8" = 1'-0"



SECTION E-E
(SEE SHEET 23)
SCALE: 3/8" = 1'-0"



WINGWALL NO. 4 ELEVATION
SCALE: 3/8" = 1'-0"



WINGWALL NO. 3 ELEVATION
SCALE: 3/8" = 1'-0"

NOTE: TOP OF WALL ELEVATIONS ARE SHOWN TO DEFINE THE QUANTITY OF ITEM 602.20, DRY MASONRY THAT WILL BE MEASURED FOR PAYMENT (SEE TYPICAL WINGWALL NO. 3 SECTION ON SHEET 4). NO POINTING OF DRY STONE MASONRY IS REQUIRED AT WINGWALL NO. 3.

NOTE:
THE CONTRACTOR SHALL PROTECT THE HYDRANT FROM DAMAGE AND PROVIDE ACCESS TO IT DURING CONSTRUCTION. REPAIR AND/OR REPLACEMENT FOR DAMAGE DONE TO THE HYDRANT BY THE CONTRACTOR SHALL BE AT THE CONTRACTOR'S EXPENSE.

- LEGEND:**
- LIMITS OF REMOVAL
 - T.O.W. TOP OF WALL
 - REINFORCING TO BE CUT IN THE FIELD
 - REVISED DUE TO CHANGED FIELD CONDITIONS (10/24/2008)

SCALE: 3/8" = 1'-0"

1 0 1 2 3 4

WCEL
20-J14-WED
-TA FRUITS- NO.
934215

Hoyle, Tanner & Associates, Inc.

PROJECT NAME: FAIRFIELD	PLOT DATE: 02/24/2008
PROJECT NUMBER: 310-1448(32)	DRAWN BY: J.R. McQUINN
FILE NAME: 204L44slcb-AB.dgn	CHECKED BY: S.T. AMES
DESIGNED BY: J.E. OJA	SHEET 24 OF 36
WINGWALL DETAILS	