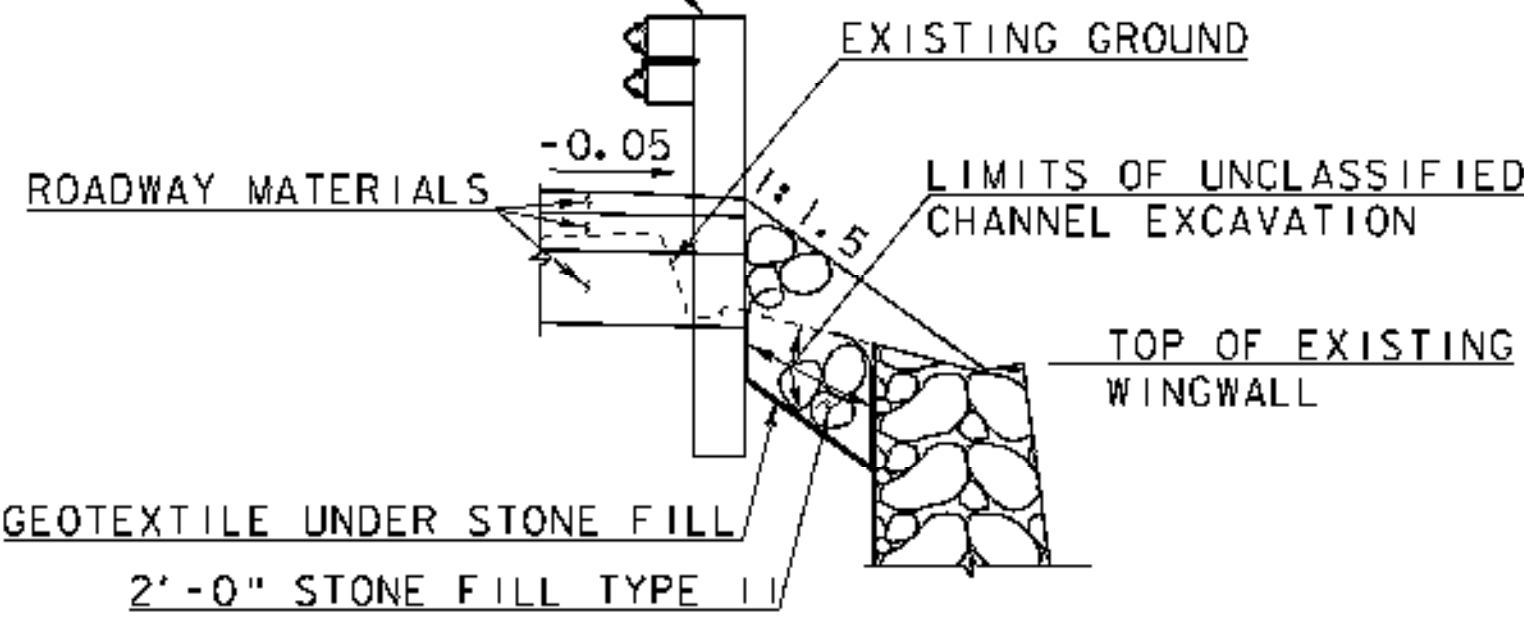


TYPICAL ROADWAY SECTION

NOT TO SCALE

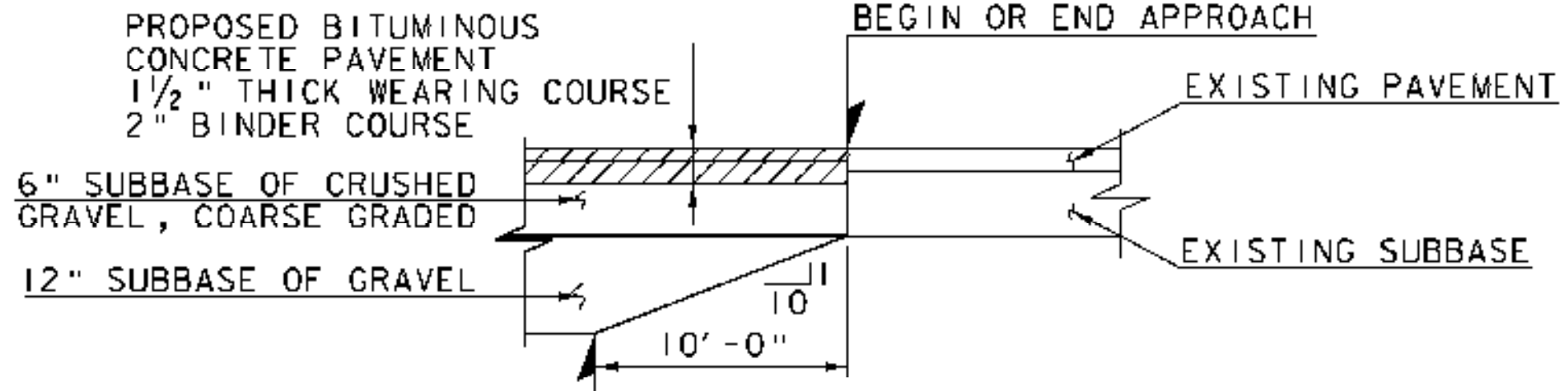
MATERIAL ITEM	TOLERANCE
SURFACE:	
-PAVEMENT	+/- 1/4"
-AGGREGATE SURFACE COURSE	+/- 1/2"
BASE COURSE	+/- 1/2"
SUBBASE	+/- 1"

SPECIAL PROVISION (HD STEEL BEAM GUARDRAIL, WEATHERING) (WOOD POSTS). FOR DETAILS SEE SPECIAL PROVISION, STANDARD G-1 AND G-1D



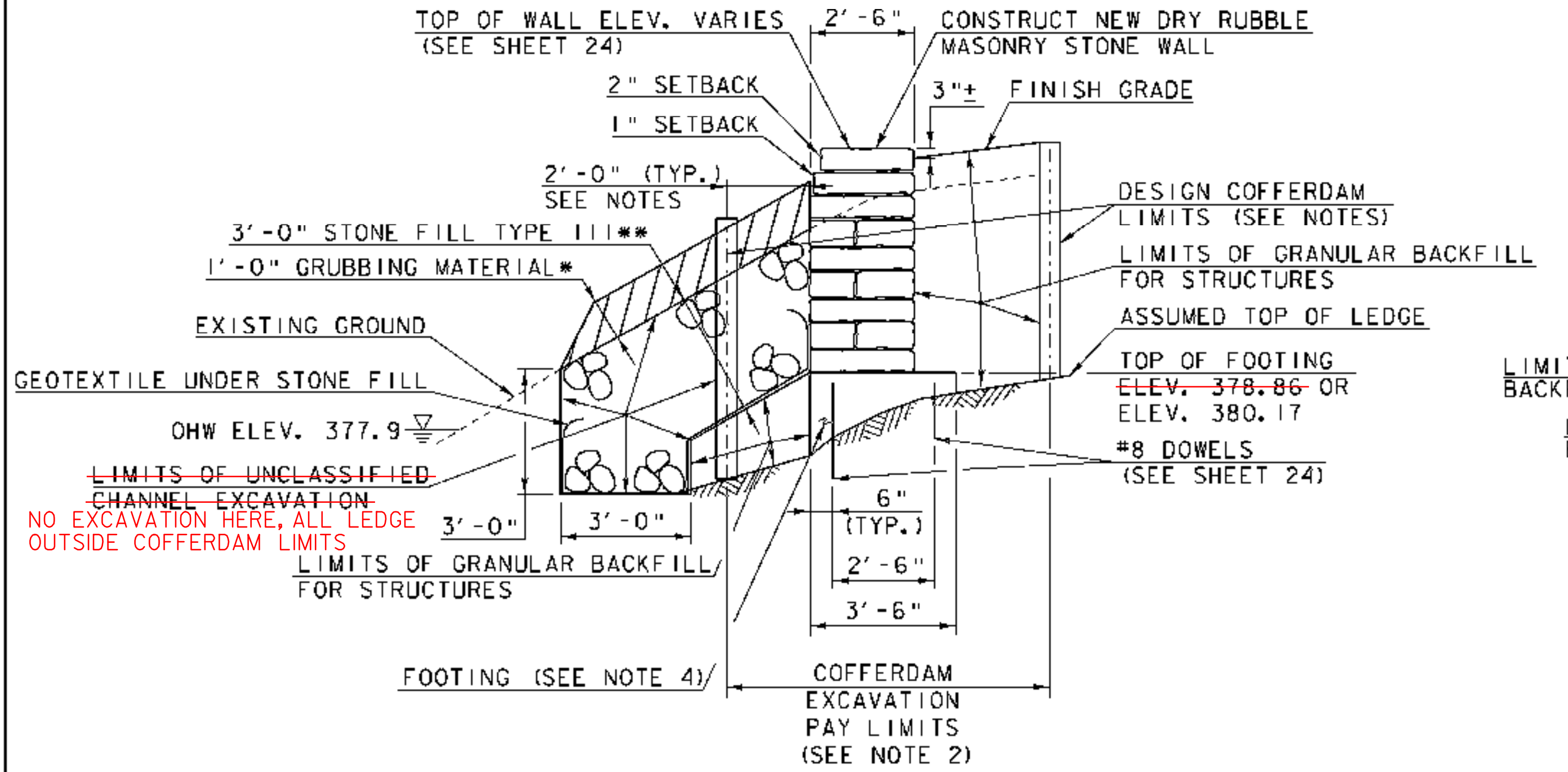
TYPICAL SECTION OF STONE FILL AT WINGWALL NO. 2

SCALE: 3/8" = 1'-0"



SUBBASE TRANSITION DETAIL

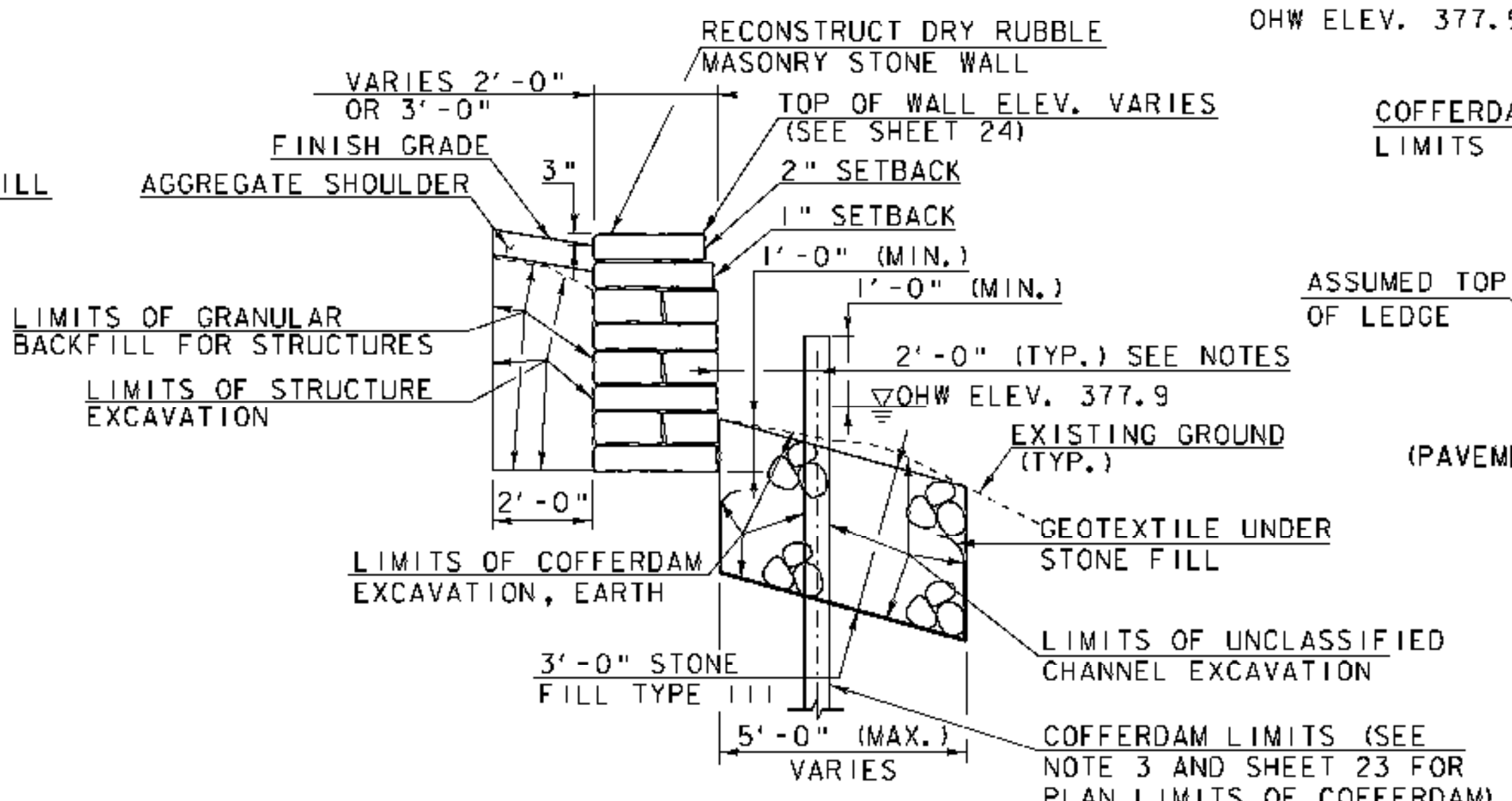
NOT TO SCALE



TYPICAL WINGWALL NO. 3 SECTION

SCALE: 3/8" = 1'-0"

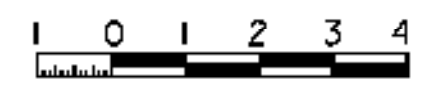
* GRUBBING MATERIAL SHALL NOT BE PLACED BELOW OHW.
** SEE T.H. 49 ROADWAY PLAN AND CROSS SECTIONS FOR LOCATIONS AND LIMITS OF STONE FILL.



TYPICAL WINGWALL NO. 4 SECTION

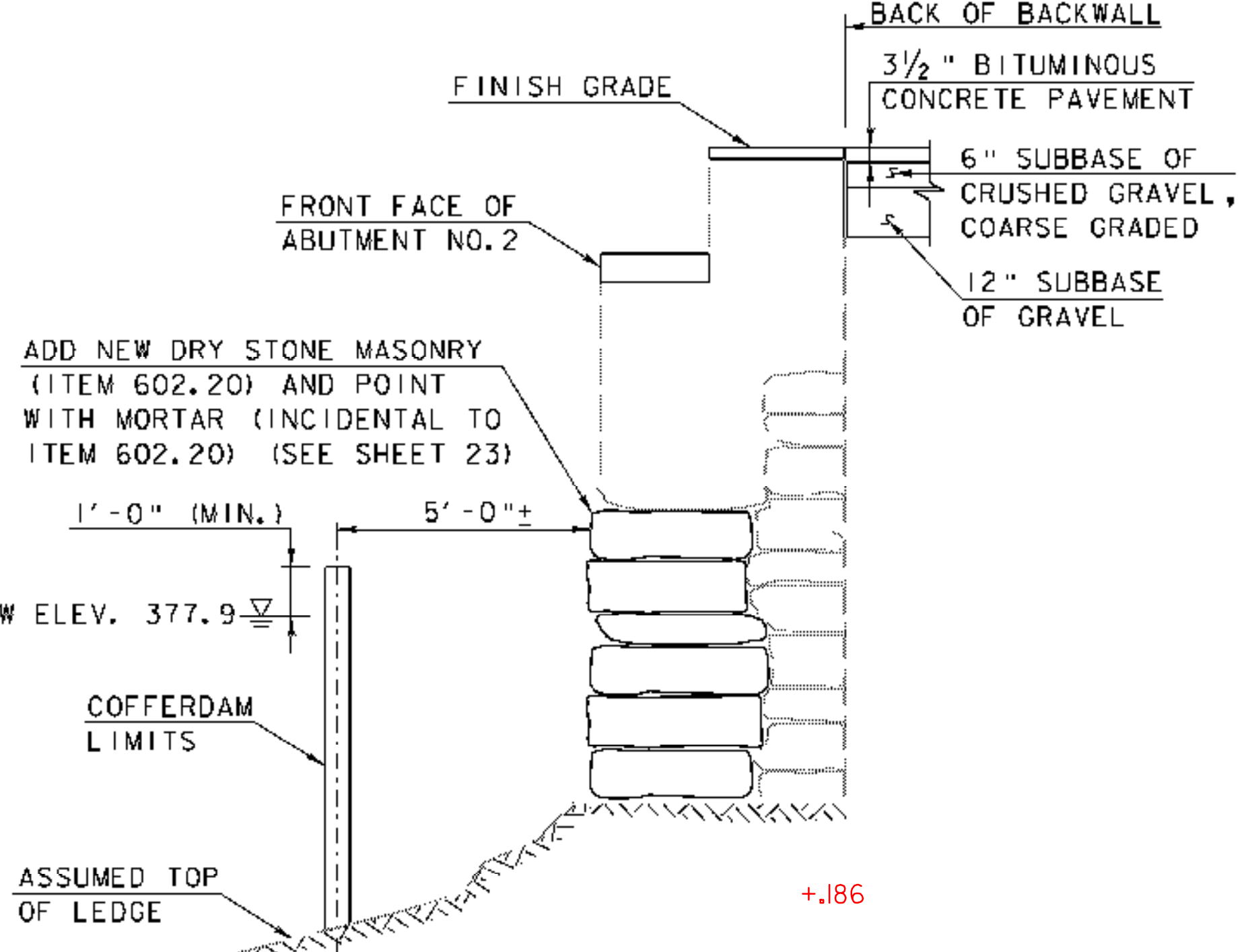
SCALE: 3/8" = 1'-0"

SCALE: 3/8" = 1'-0"



SHEET NOTES:

- ACTUAL COFFERDAM LIMITS TO BE DETERMINED BY THE CONTRACTOR.
- THE PAY LIMITS OF "COFFERDAM EXCAVATION, EARTH" AND "COFFERDAM EXCAVATION, ROCK" SHALL BE 2'-0" OUTSIDE THE PERIMETER OF THE FOOTING, UP TO EXISTING GROUND OR BOTTOM OF SUBBASE, WHICHEVER IS LOWER.
- IF THE COFFERDAM IS CONSTRUCTED LARGER THAN INDICATED IN THESE PLANS, PAYMENT FOR ALL UNCLASSIFIED CHANNEL EXCAVATION, INCLUDING THAT PORTION WHICH IS INSIDE THE COFFERDAM BUT OUTSIDE THE COFFERDAM EXCAVATION PAY LIMITS, WILL BE MADE AT THE CONTRACT UNIT PRICE FOR UNCLASSIFIED CHANNEL EXCAVATION.
- CONCRETE FOR FOOTING SHALL MEET THE REQUIREMENTS OF ITEM 501.34, CONCRETE, HIGH PERFORMANCE CLASS B.
- REMOVAL OF EXISTING PAVEMENT WITHIN THE LIMITS OF WORK SHALL BE PAID UNDER ITEM 203.28, EXCAVATION OF SURFACES AND PAVEMENTS.
- IF AN IMPENETRABLE HOLE IS ENCOUNTERED WHILE PLACING GUARDRAIL POSTS, ENLARGE THE HOLE TO PROVIDE NOT LESS THAN 6 INCHES CLEARING ON ALL SIDES, AND TO A MINIMUM DEPTH OF 2'-6". CONCRETE REMOVAL OF EXISTING WALLS MAY BE REQUIRED AND SHALL BE PAID UNDER ITEM 529.25, REMOVAL OF CONCRETE OR MASONRY. REMOVE AS DIRECTED BY THE RESIDENT ENGINEER. SET THE POST IN CONCRETE TO WITHIN 6 INCHES OF THE TOP OF THE HOLE (PAID UNDER ITEM 501.34, CONCRETE, HIGH PERFORMANCE CLASS B). BACKFILL AND COMPACT THE REMAINING 6 INCHES WITH A CRUSHED GRAVEL MATERIAL APPROVED BY THE RESIDENT ENGINEER (PAID UNDER ITEM 301.25, SUBBASE OF CRUSHED GRAVEL, COARSE GRADED).



TYPICAL ABUTMENT NO. 2 SECTION

(PAVEMENT/SUBBASE DETAIL AT BACKWALL OF ABUT. NO. 1 SIMILAR)

SCALE: 3/8" = 1'-0"

PROJECT NAME:	FAIRFIELD	FILE NAME:	Z04J44tp2.dgn	PLOT DATE:	4/25/2008
PROJECT NUMBER:	BHO 1448(32)	PROJECT LEADER:	J.H.WEAVER	DRAWN BY:	J.B.McQUAID
		DESIGNED BY:	J.BICJA	CHECKED BY:	S.T.JAMES
				SHEET	4 OF 36