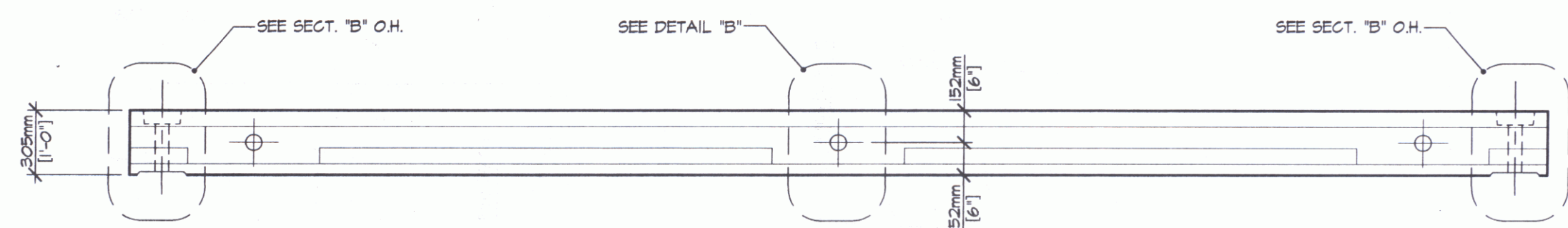
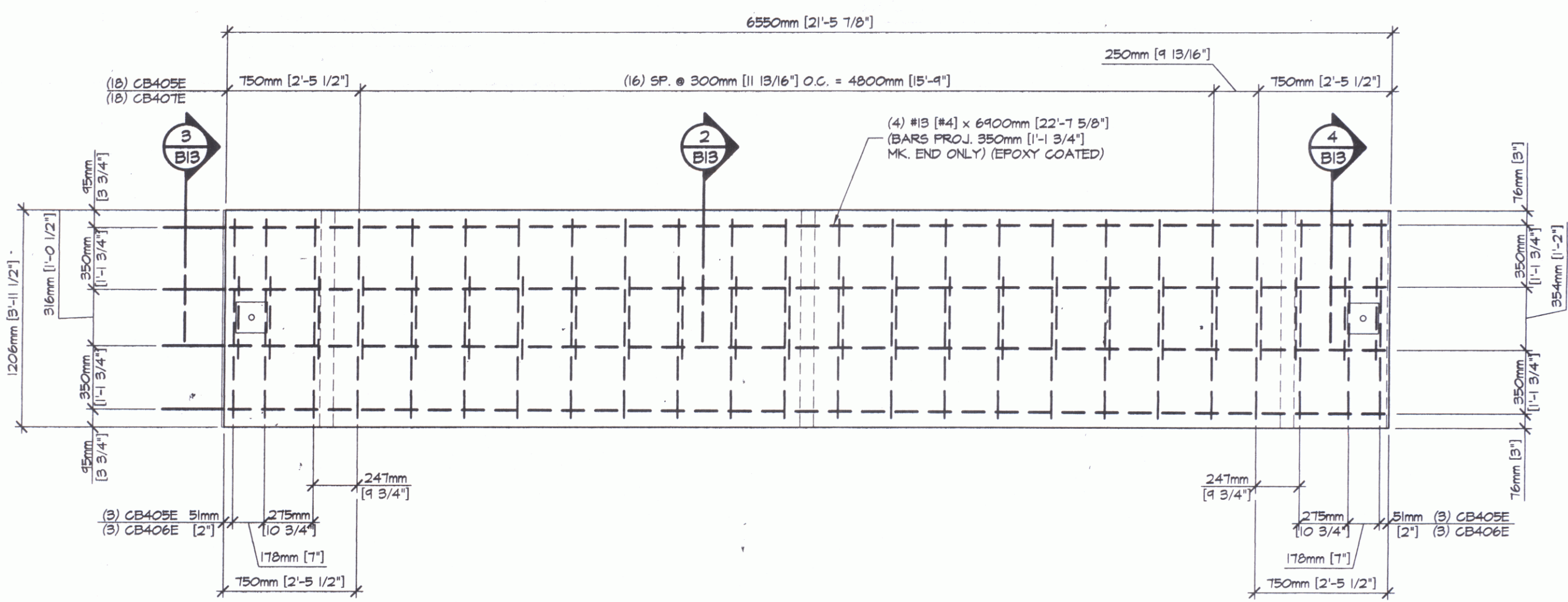


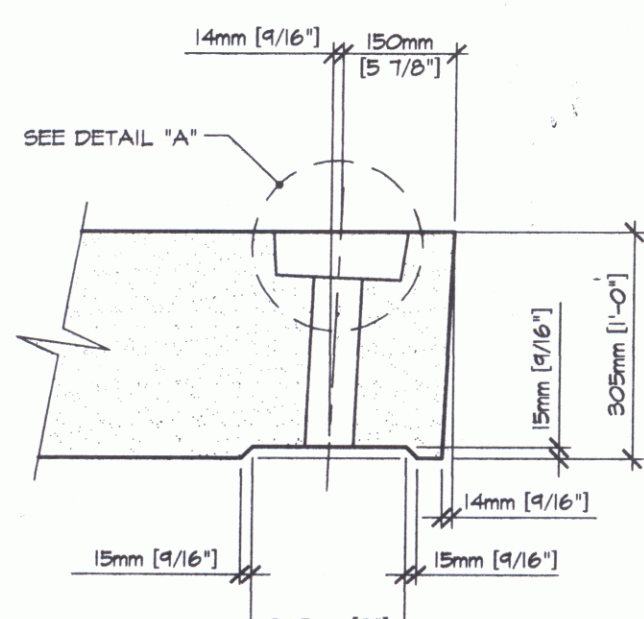
**A** DIMENSIONAL PLAN VIEW IN FORM  
1:25



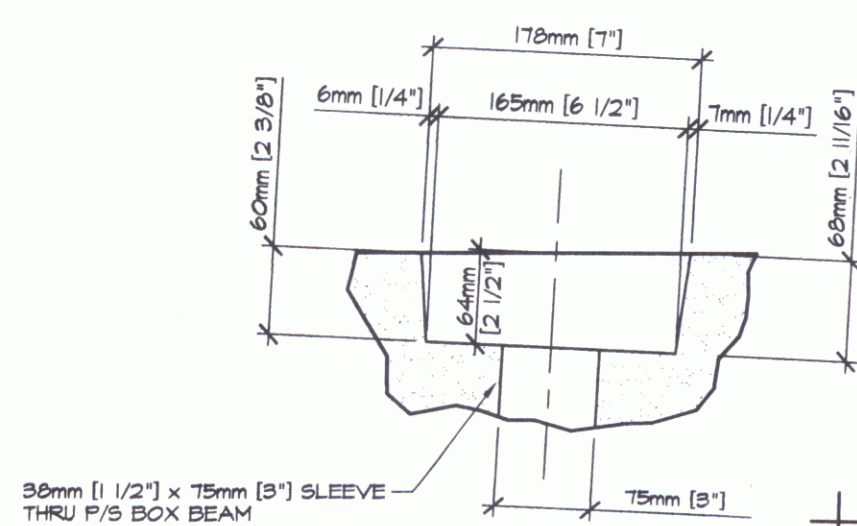
**B** DIMENSIONAL ELEVATION VIEW IN FORM  
1:25



**B** REINFORCING PLAN VIEW IN FORM  
1:25



SECTION - "B"  
1:10



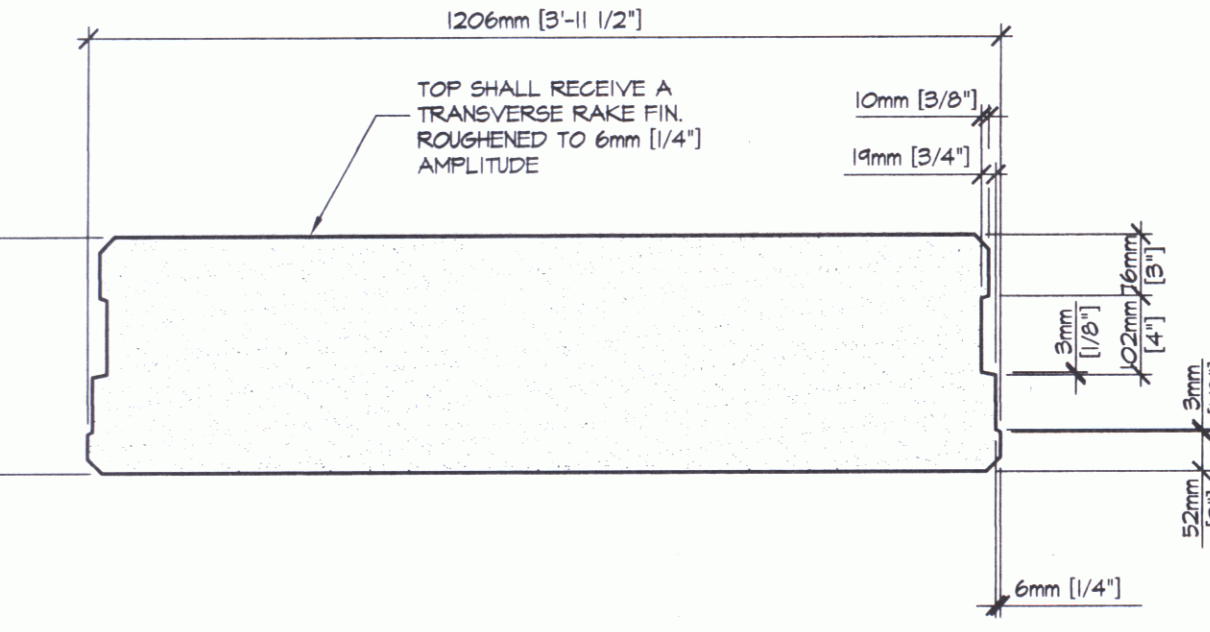
DETAIL - "A"  
1:5

**SHOP NOTE:**  
ADJUST REINFORCING AS REQUIRED TO CLEAR SLEEVES, POCKETS, ETC.

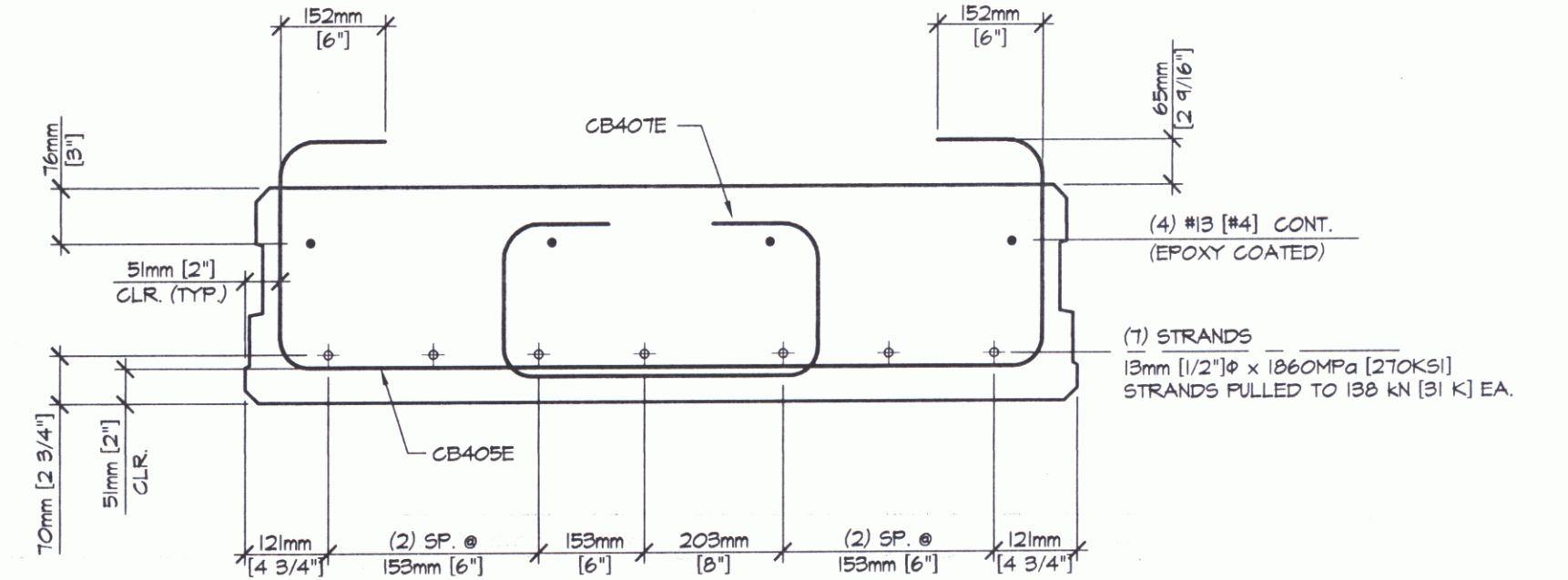
**SHOP NOTE:** SLEEVE TO BE REMOVED AFTER BEAM IS FABRICATED.

**DETENSIONING SCHEDULE**

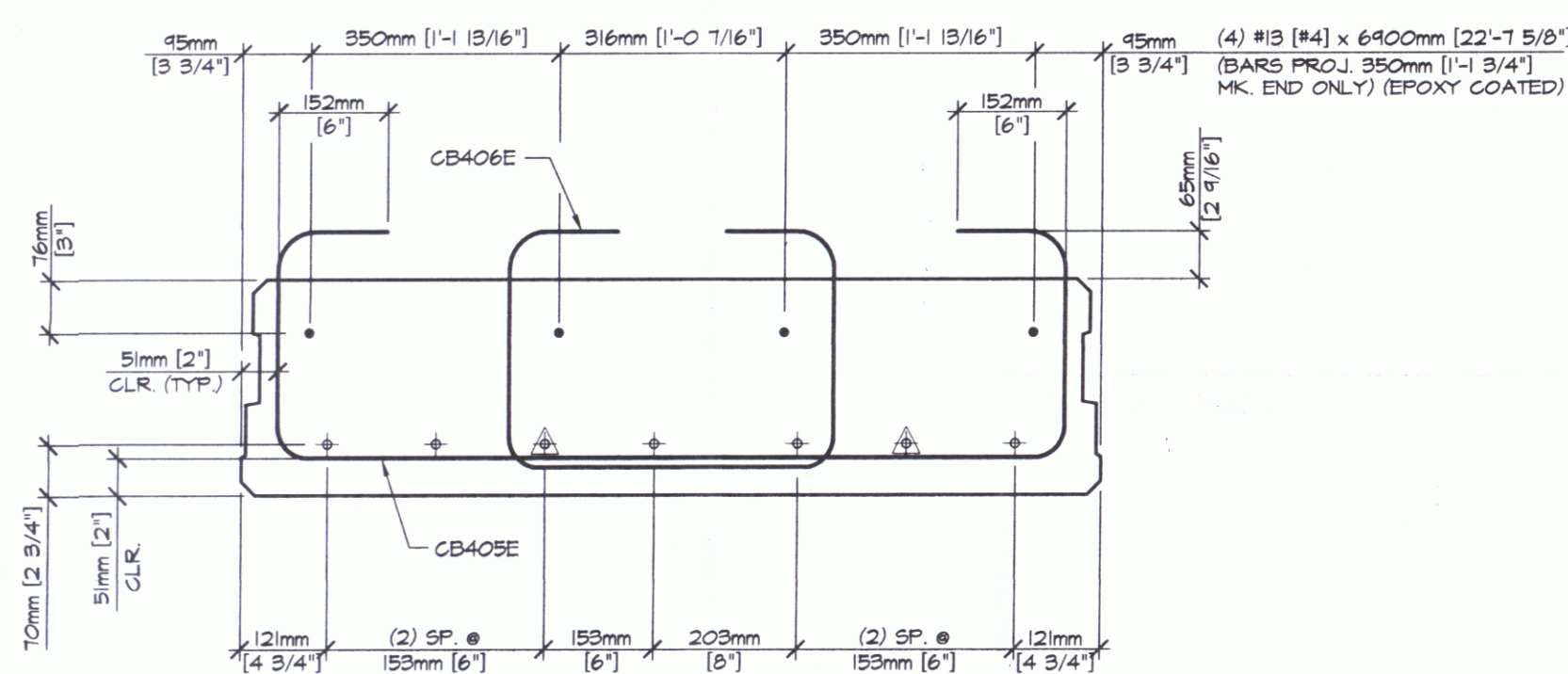
① ③ ⑤ ⑦ ⑥ ④ ②



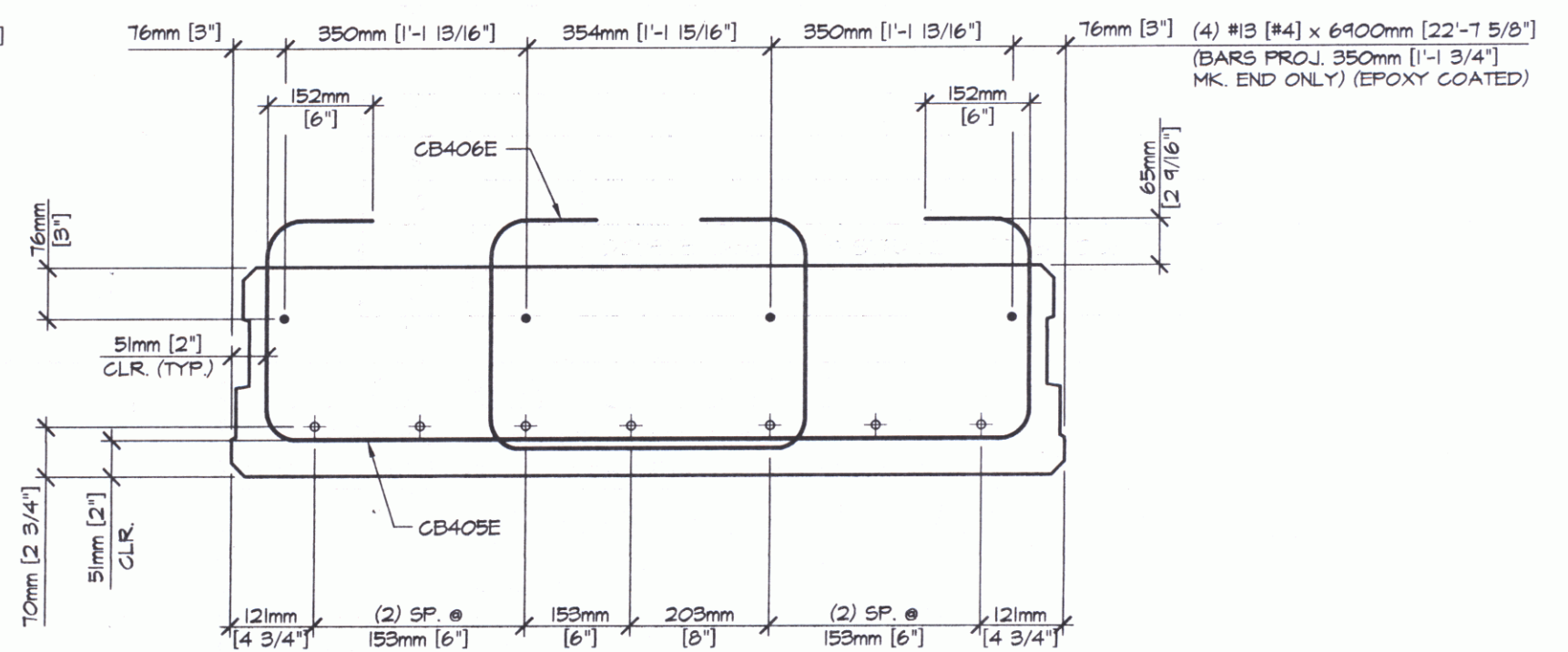
**1** DIMENSIONAL SECTION  
1:10



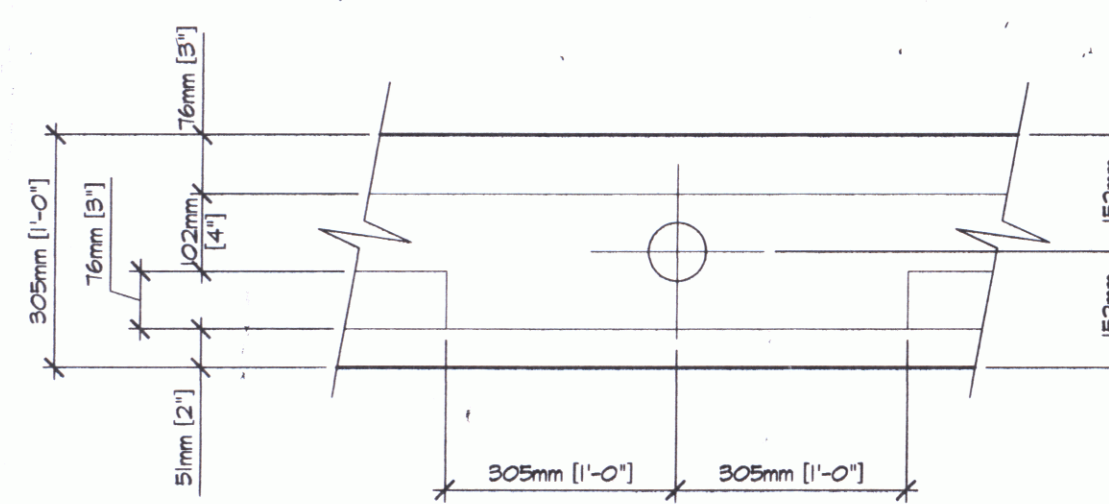
**2** END BLOCK SECTION  
1:10



**3** END BLOCK SECTION  
1:10



**4** END BLOCK SECTION  
1:10



DETAIL - "B"  
1:10

MARK: CSS7 QTY: 8 WT.: 5,788 kg (6.98 T) VOL.: 2.41 m <sup>3</sup> (8.14 cu)			
MATERIAL LIST / BEAM			
ITEM	MARK	DESCRIPTION	QTY.
1	CB405E	#3 [4] BENT BAR (EPOXY COATED)	24
2	CB406E	#3 [4] BENT BAR (EPOXY COATED)	6
3	CB407E	#3 [4] BENT BAR (EPOXY COATED)	18
4			
5			
6		#3 [4] x 6400mm [22'-1 5/8"] (EPOXY COATED)	4
7			
8			
9			
10			
11		DOUBLE 13mm [1/2"] STRAND LIFTING LOOPS	4
12			

**SHOP DRAWING REVIEW**

REVIEWED APPROVAL STAMP: CONSTRUCTION CONTRACT DOCUMENTS AND APPROVED, BUT ONLY FOR CONFORMANCE TO THE DESIGN CONCEPT OF THE WORK, AND SUBJECT TO FURTHER LIMITATIONS AND REQUIREMENTS CONTAINED IN THE CONSTRUCTION CONTRACT DOCUMENTS.

REJECTED  REVISE AND RESUBMIT  FURNISH AS CORRECTED

CORRECTIONS OR COMMENTS MADE ON THE SHOP DRAWINGS DURING THIS REVIEW DO NOT RELIEVE THE CONTRACTOR FROM COMPLIANCE WITH REQUIREMENTS OF THE DRAWINGS AND SPECIFICATIONS. THIS CHECK IS ONLY FOR REVIEW OF GENERAL CONFORMANCE WITH THE DESIGN CONCEPT OF THE PROJECT AND GENERAL COMPLIANCE WITH THE INFORMATION GIVEN IN THE CONTRACT DOCUMENTS. THE CONTRACTOR IS RESPONSIBLE FOR: CONFIRMING AND CORRELATING ALL QUANTITIES AND DIMENSIONS; SELECTING FABRICATION PROCESSES AND TECHNIQUES OF CONSTRUCTION; COORDINATING HIS WORK WITH THAT OF ALL OTHER TRADES; AND PERFORMING HIS WORK IN A SAFE AND SATISFACTORY MANNER.

**VHB** Vanasse Hangen Brustlin, Inc.  
Engineers, Planners, and Scientists  
Six Bedford Farme, Kilton Rd.  
Bedford, NH 03110 603 544 0888

Job Number: 5E135-40  
Reviewed By: ESE/HAC  
Date: 2/14/06

**J.P. CARRARA & SONS INC.**  
Precast & Prestress Manufacturer  
244 CASE STR., WOODLURY, VERMONT 05753 Phone: (802)388-6361 Fax: (802)388-9010

**KUBRICKY CONST. CORP.**  
CONTRACTOR  
GLENS FALLS, NEW YORK

STATE OF VERMONT A.O.T.  
COUNTY OF CHITTENDEN

TOWN OF COLCHESTER - SOUTH BURLINGTON  
PROJECT: LIME KILN BRIDGE  
TH 4/3 (URBAN MINOR ARTERIAL), BRIDGE NO.6

P/S SOLID SLAB DETAILS

DATE: NOV. 14, 2005  
SCALE: NOTED  
CHKD: - OFM: T.J.D.  
JOB NO: 23224-05  
DWG. NO: B13