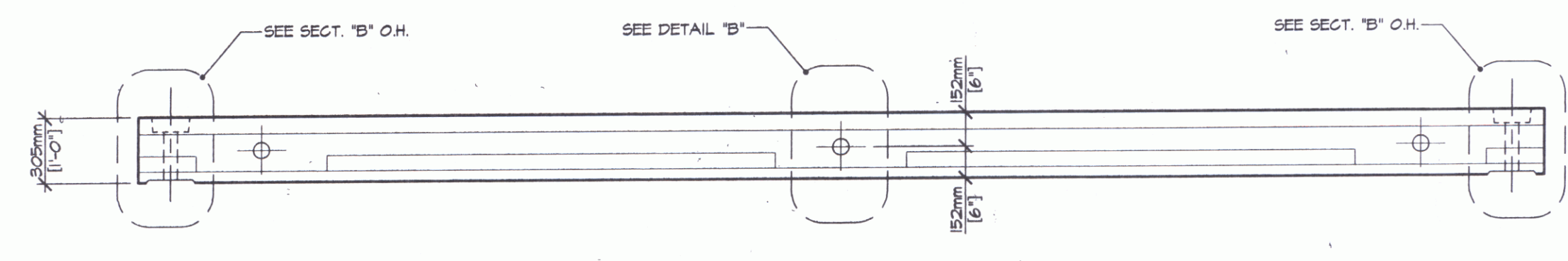
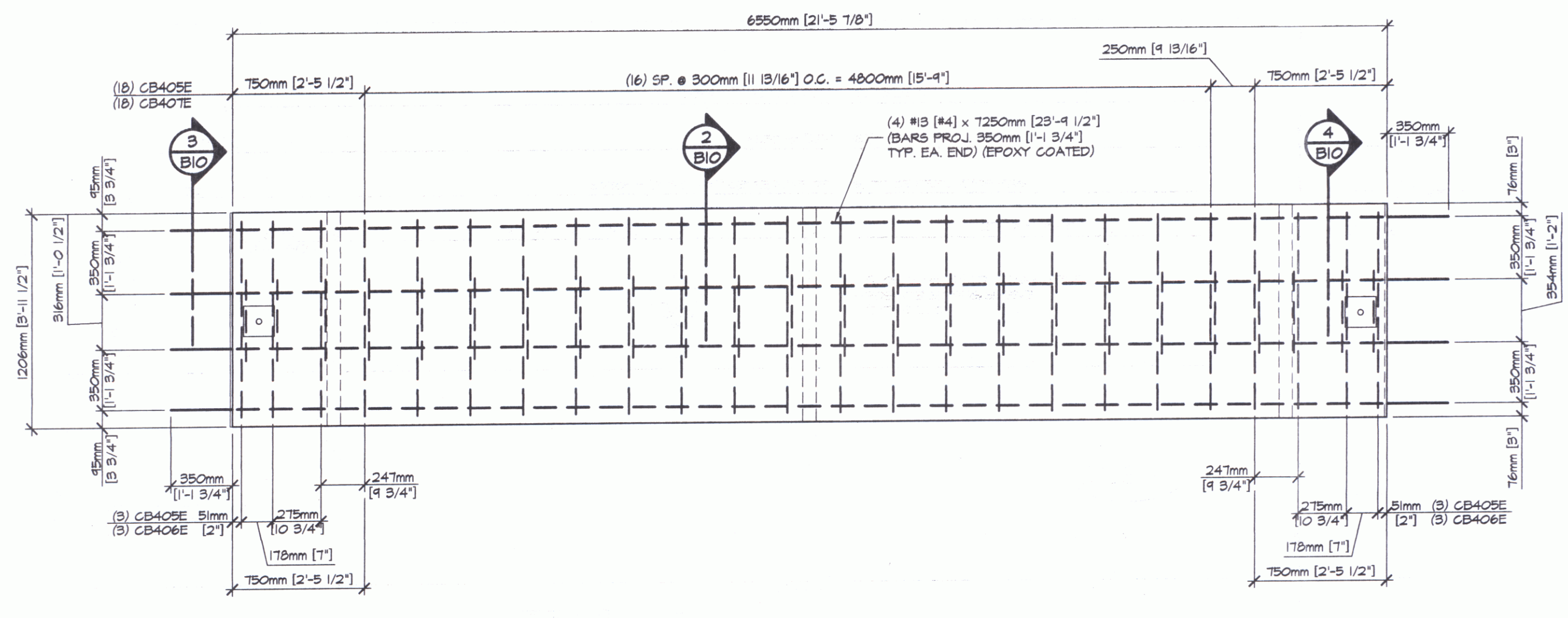


A DIMENSIONAL PLAN VIEW IN FORM
1:25

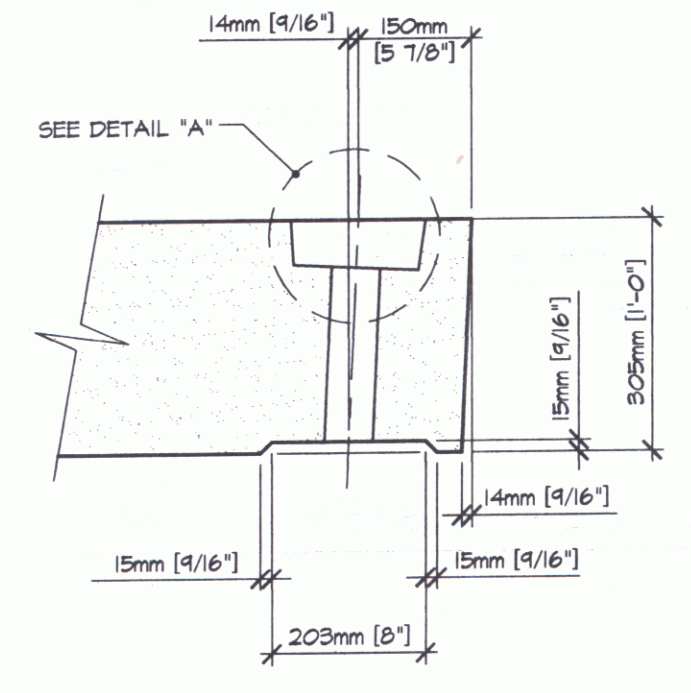


B DIMENSIONAL ELEVATION VIEW IN FORM
1:25

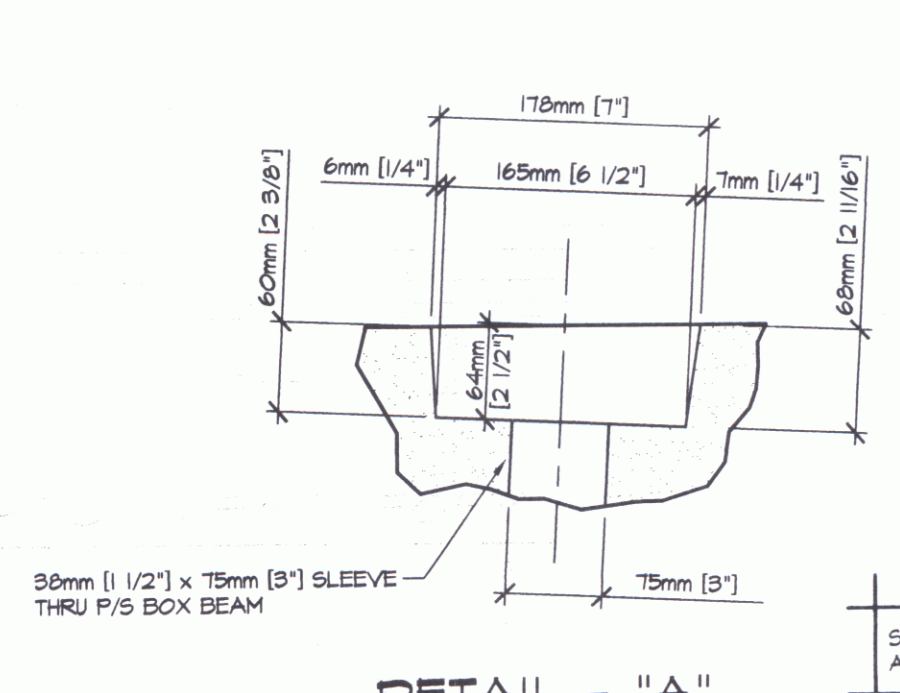


B REINFORCING PLAN VIEW IN FORM
1:25

SHOP NOTE:
ADJUST REINFORCING AS REQUIRED TO CLEAR SLEEVES, POCKETS, ETC.



SECTION - "B"
1:10

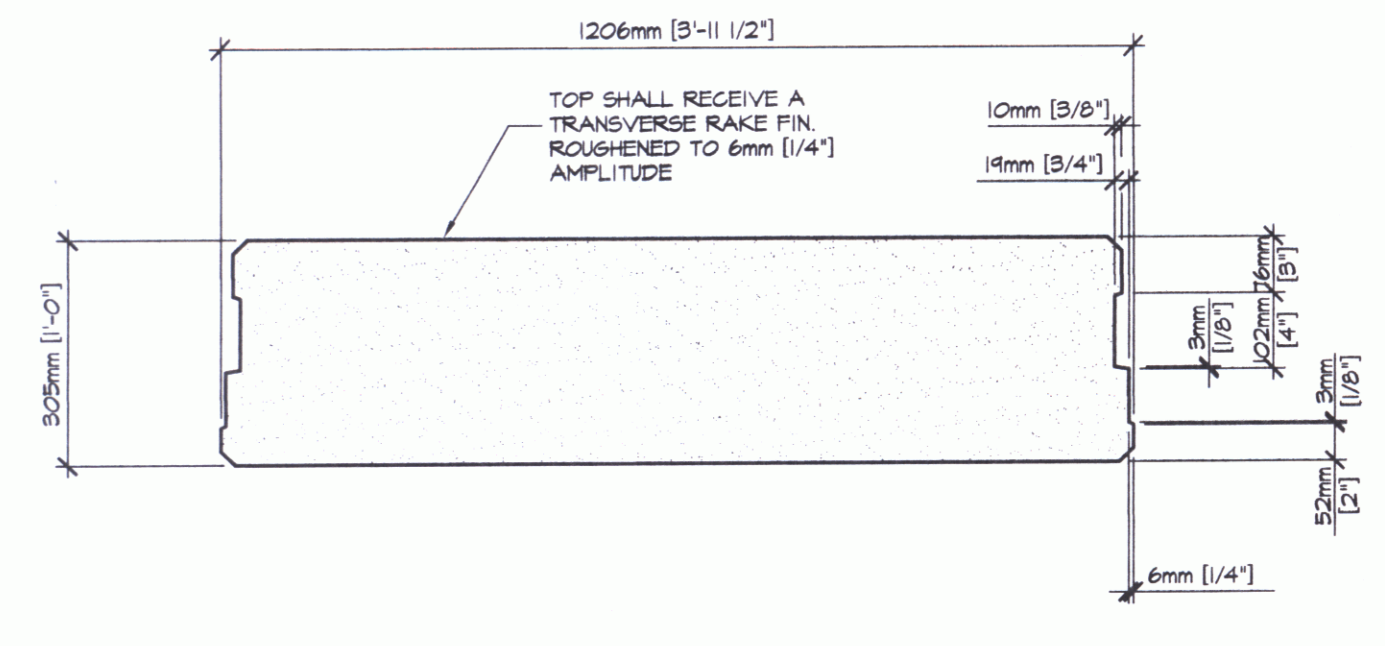


DETAIL - "A"
1:5

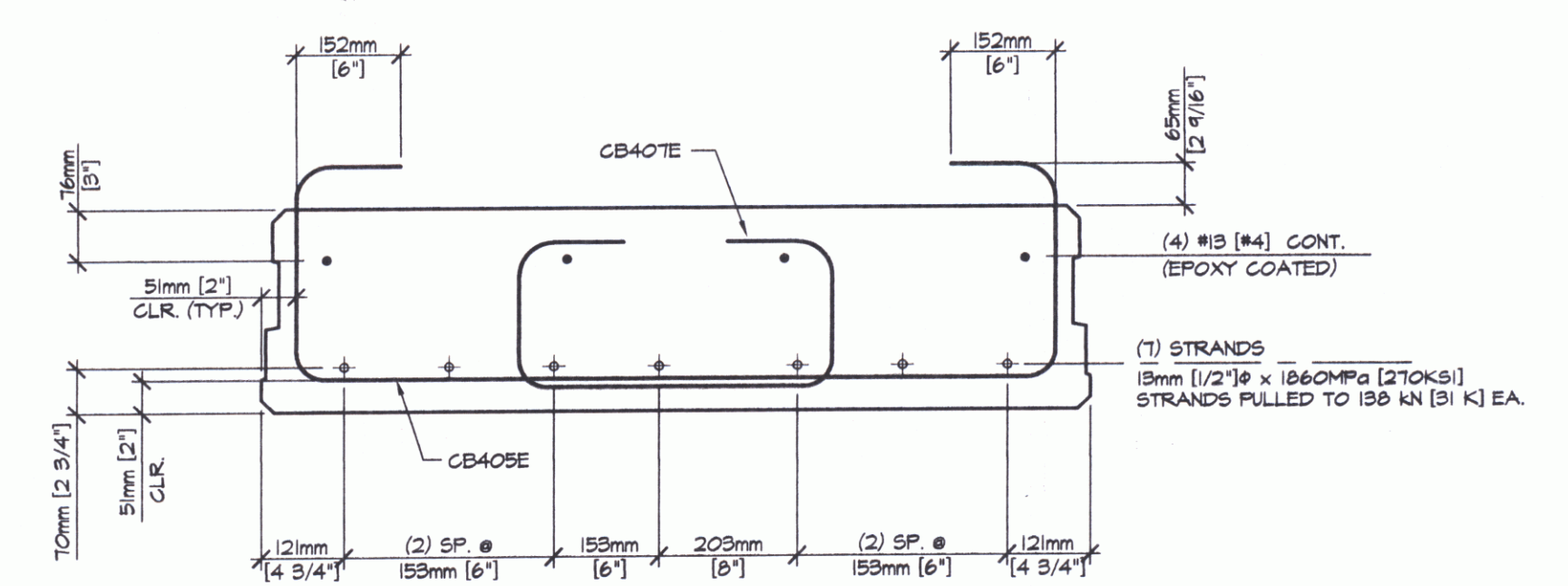
SHOP NOTE: SLEEVE TO BE REMOVED AFTER BEAM IS FABRICATED.



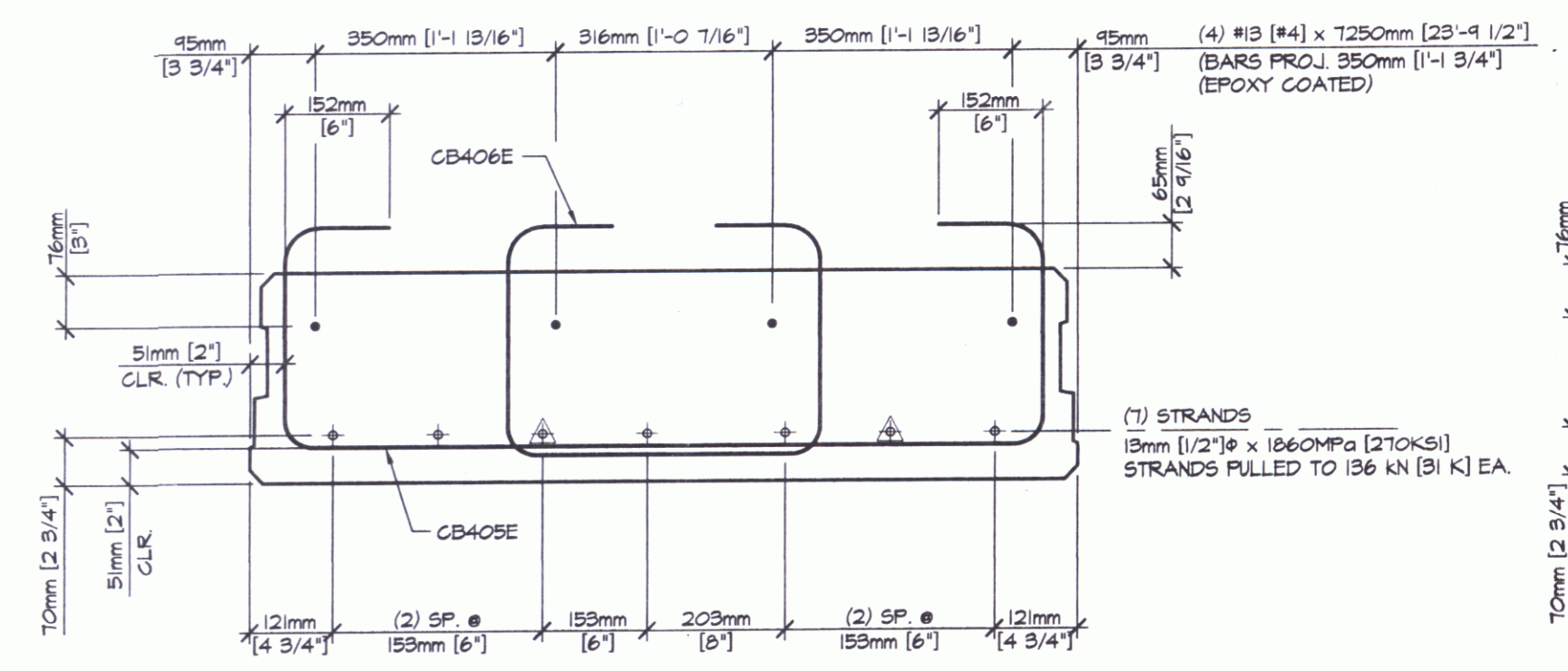
DETENSIONING SCHEDULE
N.T.S.



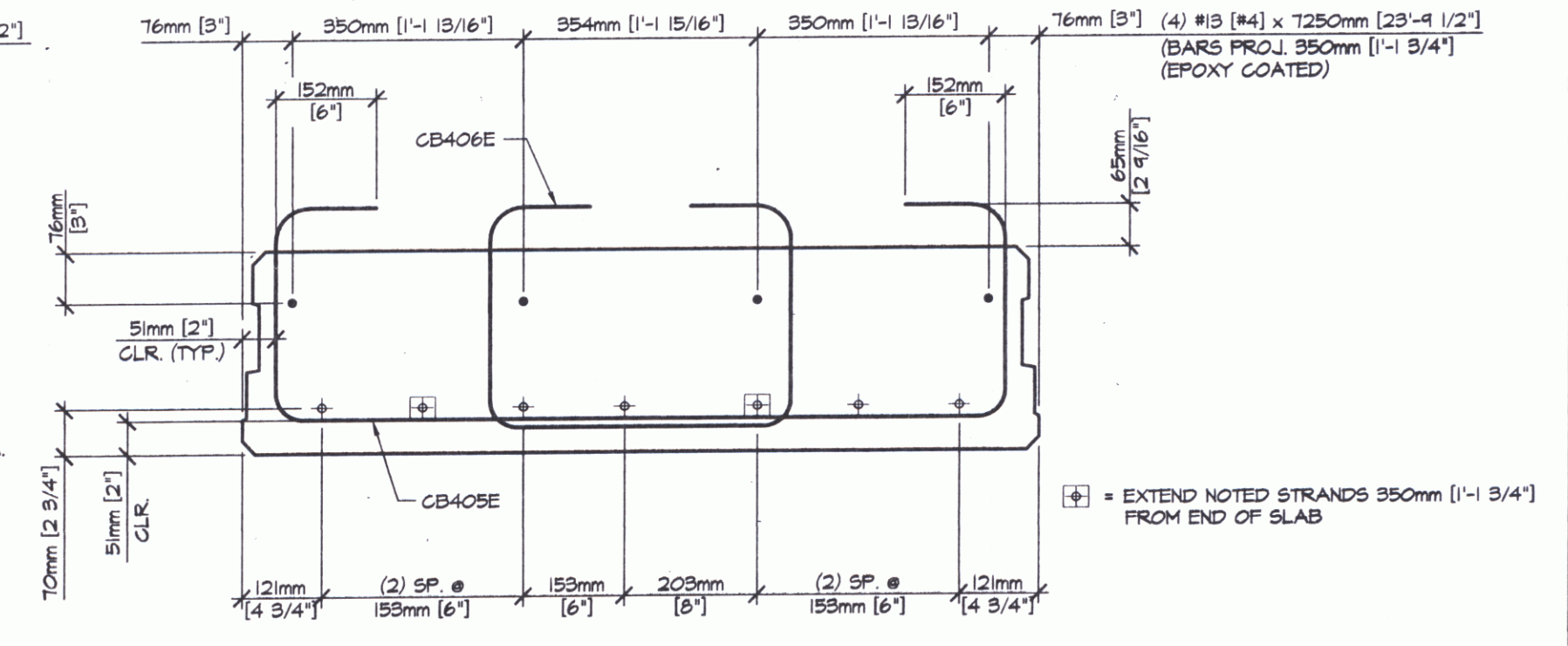
1 DIMENSIONAL SECTION
1:10



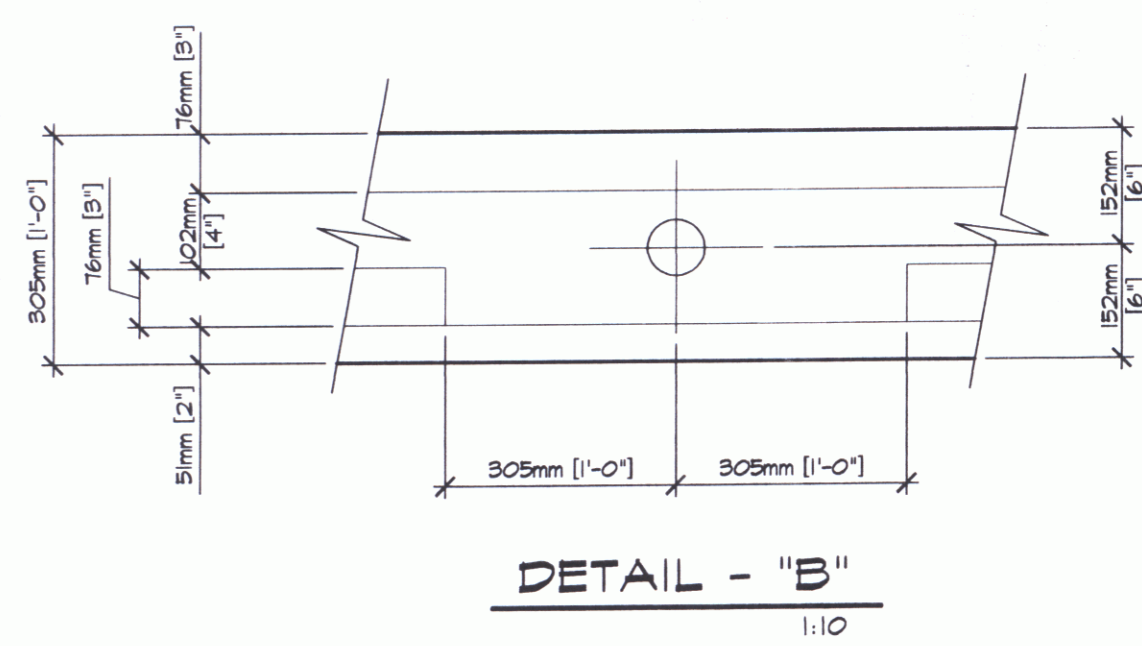
2 END BLOCK SECTION
1:10



3 END BLOCK SECTION
1:10



4 END BLOCK SECTION
1:10



DETAIL - "B"
1:10

MARK: CSS4 QTY: 32 WT.: 5,700 kg [6.30 T] VOL.: 2.41 m ³ [13.4 cy]			
MATERIAL LIST / BEAM			
ITEM	MARK	DESCRIPTION	QTY.
1	CB405E	#13 #4 BENT BAR (EPOXY COATED)	24
2	CB406E	#13 #4 BENT BAR (EPOXY COATED)	6
3	CB407E	#13 #4 BENT BAR (EPOXY COATED)	10
4			
5			
6		#13 #4 x 1250mm [23'-4 1/2"] (EPOXY COATED)	4
7			
8			
9			
10			
11		DOUBLE 13mm [1/2"] STRAND LIFTING LOOPS	4
12			

SHOP DRAWING REVIEW

REVIEWED BY: []
 APPROVAL STAMP: []
 REJECTED: []
 CORRECTIONS OR COMMENTS MADE ON THE SHOP DRAWINGS DURING THIS REVIEW DO NOT RELIEVE CONTRACTOR FROM COMPLIANCE WITH REQUIREMENTS OF THE DRAWINGS AND SPECIFICATIONS. THIS CHECK IS ONLY FOR REVIEW OF GENERAL CONFORMANCE WITH THE DESIGN CONCEPT OF THE PROJECT AND GENERAL COMPLIANCE WITH THE INFORMATION GIVEN IN THE CONTRACT DOCUMENTS. THE CONTRACTOR IS RESPONSIBLE FOR CONFIRMING AND CORRELATING ALL QUANTITIES AND DIMENSIONS; SELECTING FABRICATION PROCESSES AND TECHNIQUES OF CONSTRUCTION; COORDINATING HIS WORK WITH THAT OF ALL OTHER TRADES; AND PERFORMING HIS WORK IN A SAFE AND SATISFACTORY MANNER.

VHB Vanasse Hangen Brustlin, Inc.
 Engineers, Planners, and Scientists
 50 Bedford Farms, Kilton Rd.
 Bedford, NH 03110 603 844 0886

Job Number: 52737-00
 Reviewed By: LSL/MLK
 Date: 2/4/05

J.P. CARRARA & SONS INC.
 Precast & Prestress Manufacturer
 2464 DAGE STR., WOODBURY, VERMONT 05753 Phone: (802)388-6361 Fax: (802)388-9010

KUBRICKY CONST. CORP.
 CONTRACTOR
 GLENS FALLS, NEW YORK

STATE OF VERMONT A.O.T.
 COUNTY OF CHITTENDEN

TOWN OF COLCHESTER - SOUTH BURLINGTON PROJECT: LIME KILN BRIDGE TH 4/3 (URBAN MINOR ARTERIAL), BRIDGE NO.6

P/S SOLID SLAB DETAILS

DATE: NOV. 14, 2005
 SCALE: NOTED
 CHKD: - DFTM:T.J.D.
 JOB NO: 23229-05
 DWG. NO: B10