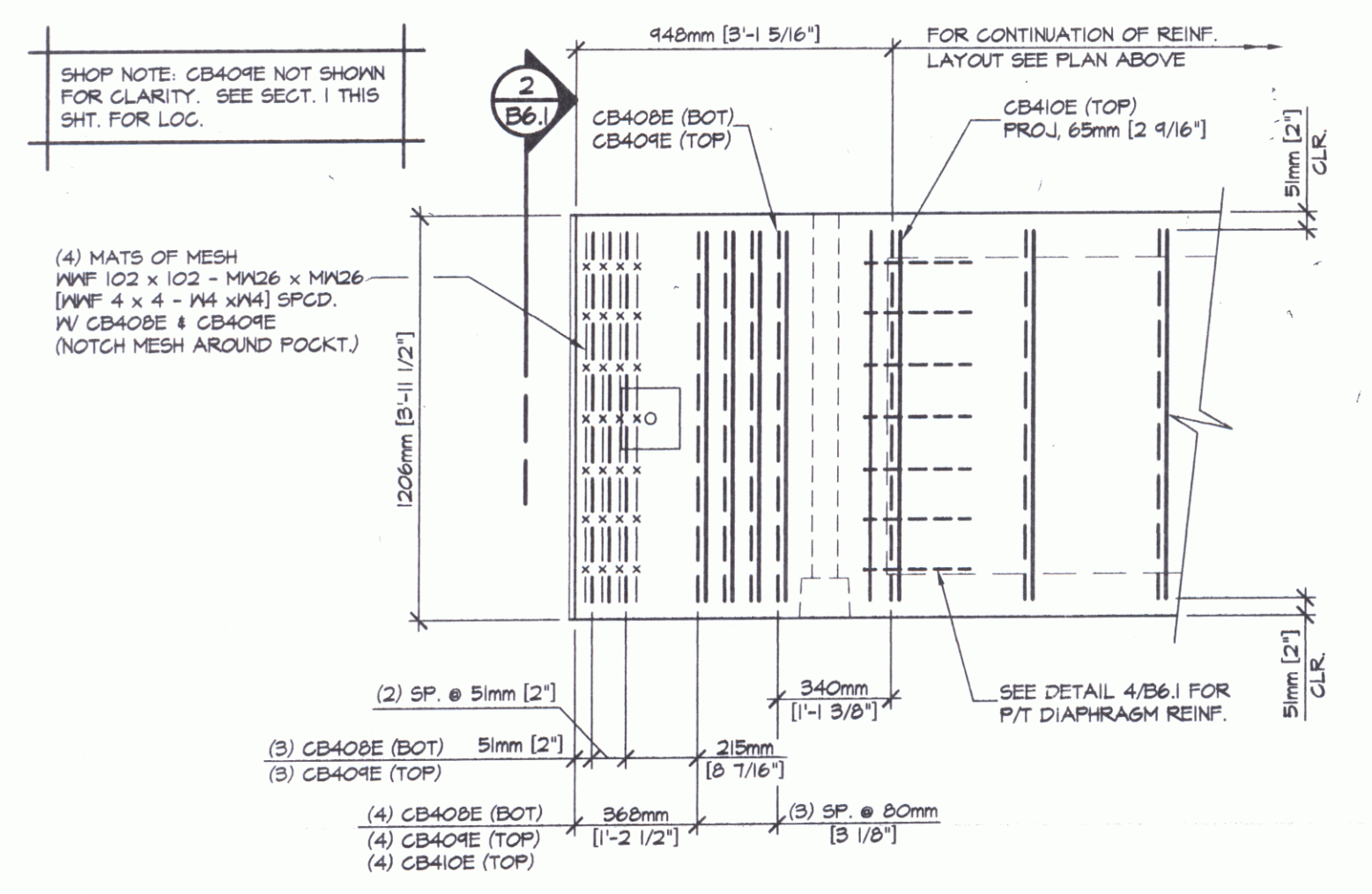


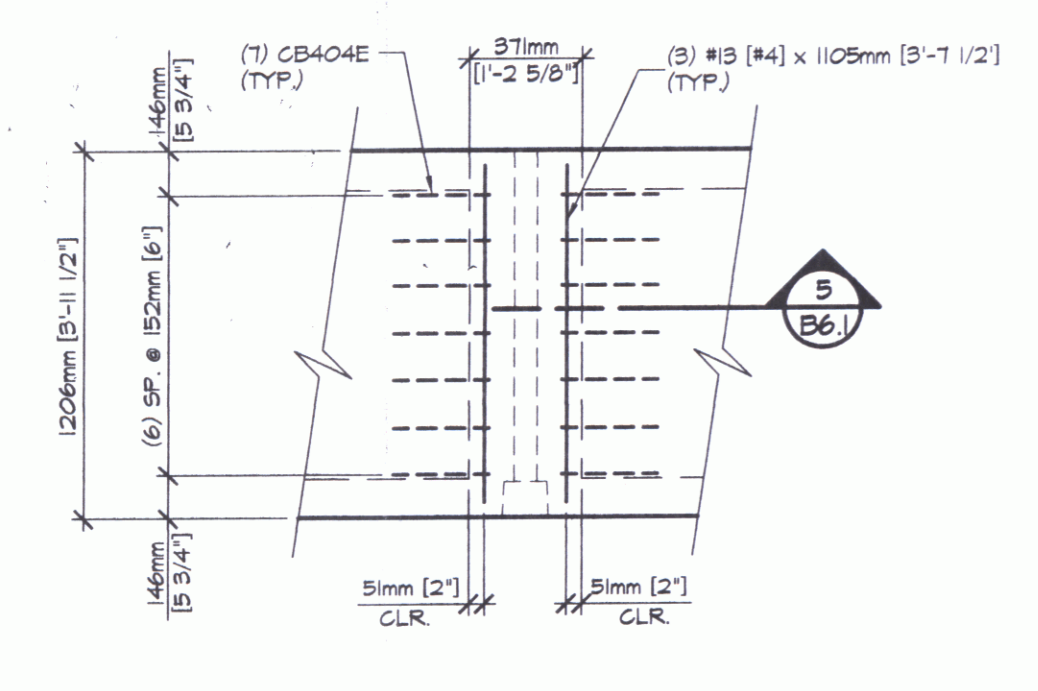
A REINFORCING PLAN VIEW IN FORM
B6.1 1:50

SHOP NOTE:
ADJUST REINFORCING AS REQUIRED
TO CLEAR SLEEVES, POCKETS, ETC.

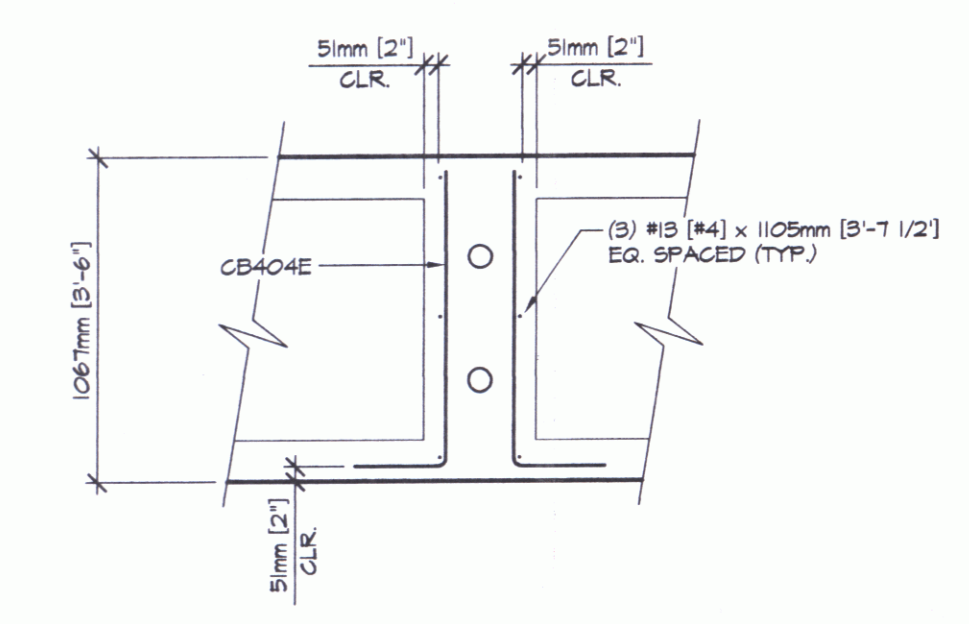
NEED ONE MORE BAR SPACING
NEEDS TO BE ≤ 400 mm



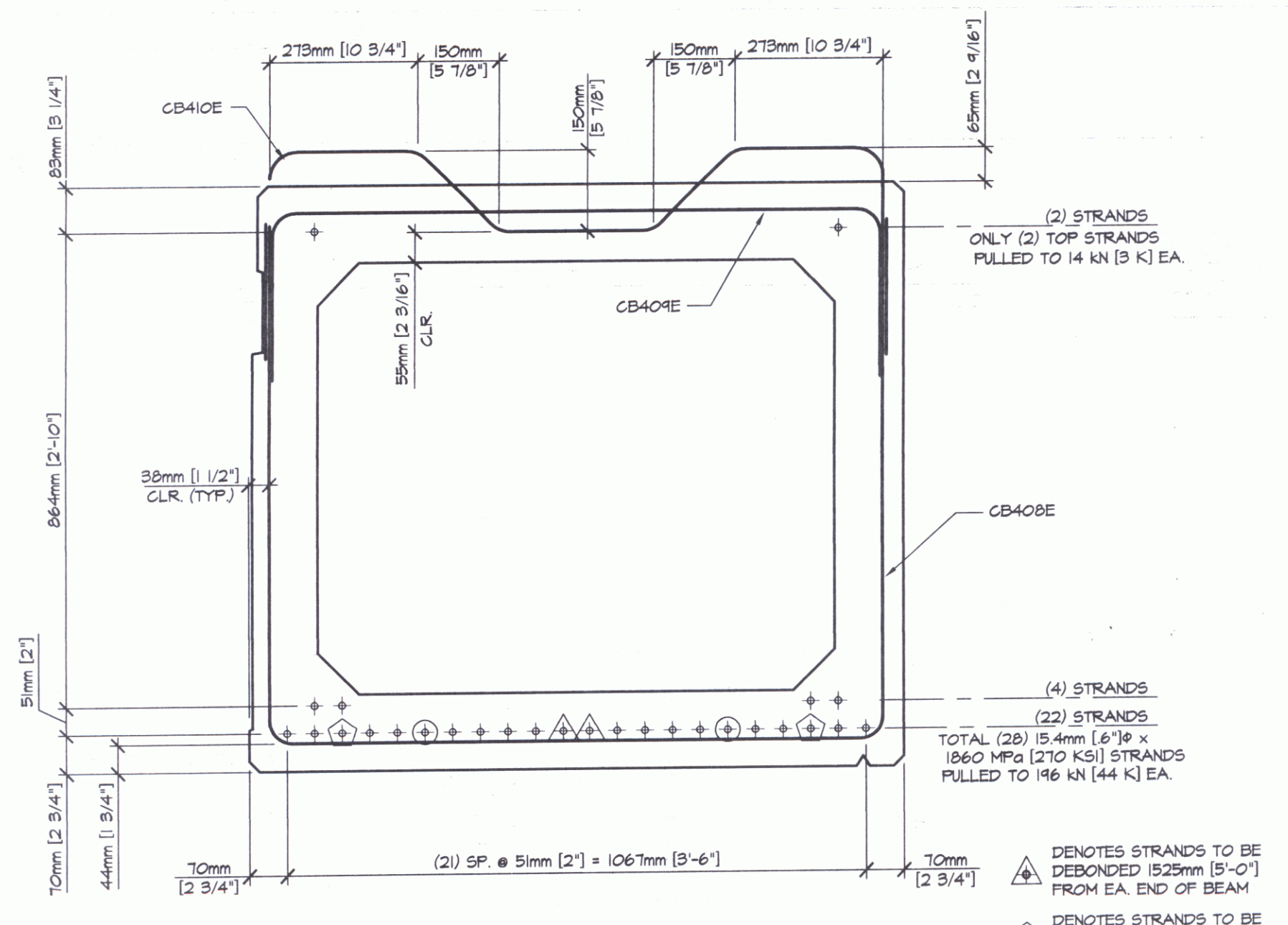
B END BLOCK REINFORCING PLAN
B6.1 1:20



4 DIAPHRAGM REINF.
B6.1 1:25

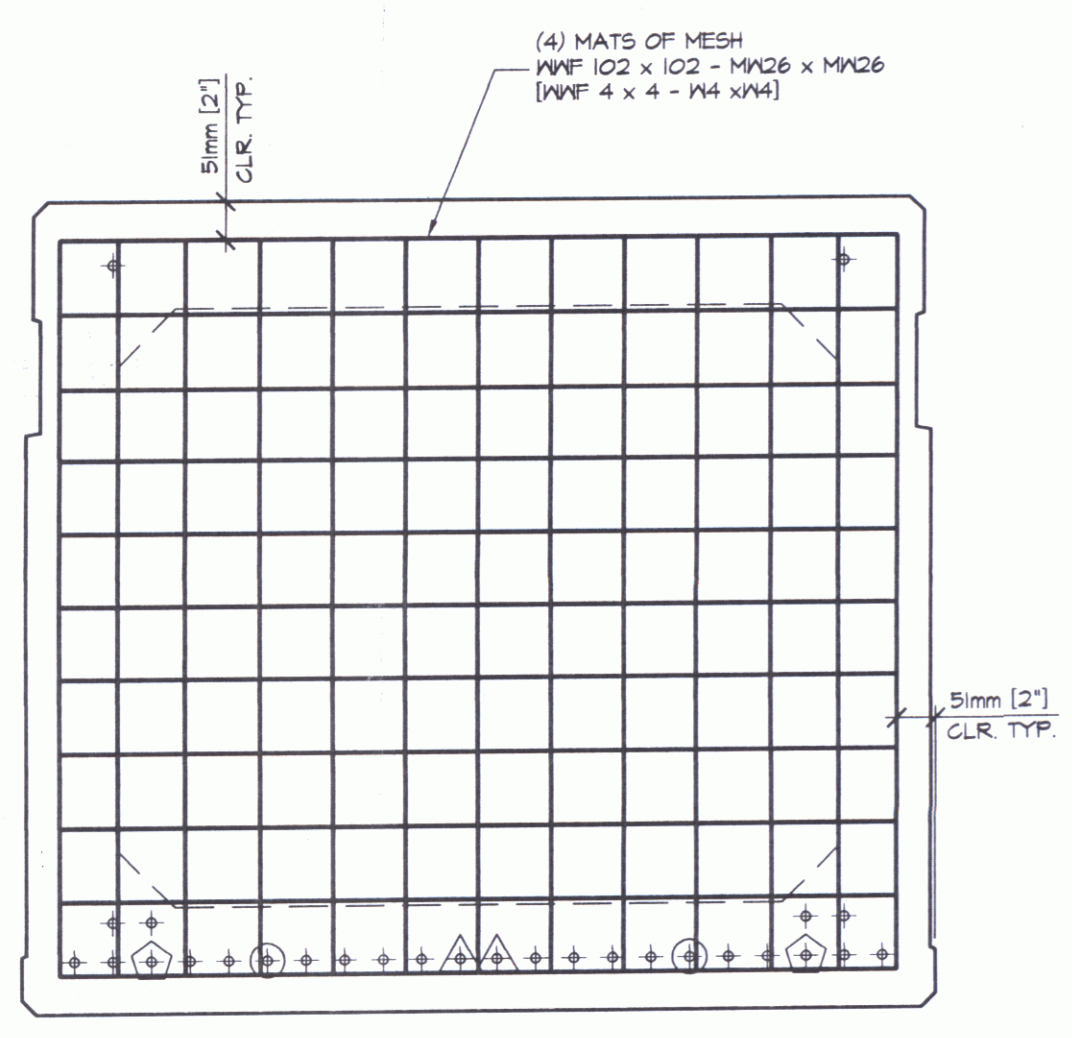


5 DIAPHRAGM SECTION
B6.1 1:25



1 REINFORCING SECTION
B6.1 1:10

⊖ DENOTES STRANDS TO BE DEBONDED 1525mm [5'-0"] FROM EA. END OF BEAM
⊕ DENOTES STRANDS TO BE DEBONDED 3050mm [10'-0"] FROM EA. END OF BEAM
⊗ DENOTES STRANDS TO BE DEBONDED 4575mm [15'-0"] FROM EA. END OF BEAM



2 END BLOCK SECTION
B6.1 1:10



DETENSIONING SCHEDULE
N.T.S.

SHOP DRAWING REVIEW

APPROVAL STAMP:

REVIEWED & APPROVED BY THE ARCHITECTURE CONTRACT DOCUMENTS AND APPROVED, BUT ONLY FOR CONFORMANCE TO THE DESIGN CONCEPT OF THE WORK, AND SUBJECT TO FURTHER LIMITATIONS AND REQUIREMENTS CONTAINED IN THE CONSTRUCTION CONTRACT DOCUMENTS.

REVISION AND RESUBMIT FURNISH AS CORRECTED

CORRECTIONS OR COMMENTS MADE ON THE SHOP DRAWINGS DURING THIS REVIEW DO NOT RELIEVE CONTRACTOR FROM COMPLIANCE WITH REQUIREMENTS OF THE DRAWINGS AND SPECIFICATIONS. THIS CHECK IS ONLY FOR REVIEW OF GENERAL CONFORMANCE WITH THE DESIGN CONCEPT OF THE PROJECT AND GENERAL COMPLIANCE WITH THE INFORMATION GIVEN IN THE CONTRACT DOCUMENTS. THE CONTRACTOR IS RESPONSIBLE FOR CONFIRMING AND CORRECTING ALL QUANTITIES AND DIMENSIONS, SELECTING FABRICATION PROCESSES AND TECHNIQUES OF CONSTRUCTION, COORDINATING HIS WORK WITH THAT OF ALL OTHER TRADES, AND PERFORMING HIS WORK IN A SAFE AND SATISFACTORY MANNER.

VHB Vanasse Hangen Brustlin, Inc.
Engineers, Planners, and Scientists
Six Bedford Farms, Kilton Rd.
Bedford, NH 03110 (603) 844-9888

Job Number: 50735-00
Reviewed By: LSK/MAC
Date: 2/4/16

MARK: CB6 QTY: 1

MATERIAL LIST / BEAM			
ITEM	MARK	DESCRIPTION	QTY.
1	CB402E	#3 [4] BENT BAR (EPOXY COATED)	88
2	CB402E	#3 [4] BENT BAR (EPOXY COATED)	88
3	CB410E	#3 [4] BENT BAR (EPOXY COATED)	82
4	CB404E	#3 [4] BENT BAR (EPOXY COATED)	28
5			
6		#3 [4] x 1105mm [3'-7 1/2"] (EPOXY COATED)	12
7			
8		SHEET SIZE 965mm [3'-2"] x 1105mm [3'-7 1/2"]	8
9		MWF 102 x 102 - Mx26 x Mx26 [MWF 4 x 4 - M4 x M4]	
10			
11			
12			

J.P. CARRARA & SONS INC.
Precast & Prestress Manufacturer
2464 CASE STR., WOODLARK, VERMONT 05753 Phone: (802) 388-6361 Fax: (802) 388-9010

KUBRICKY CONST. CORP.
CONTRACTOR
GLENS FALLS, NEW YORK

STATE OF VERMONT A.O.T.
COUNTY OF CHITTENDEN

TOWN OF COLCHESTER - SOUTH BURLINGTON
PROJECT: LIME KILN BRIDGE
TH 4/3 (URBAN MINOR ARTERIAL), BRIDGE NO.6

P/S BOX BEAM REINF. DETAILS

DATE: NOV. 14, 2005
SCALE: NOTED
CHKD: - DFTM:T.J.D.
JOB NO: 29224-05
DWG. NO: B6.1