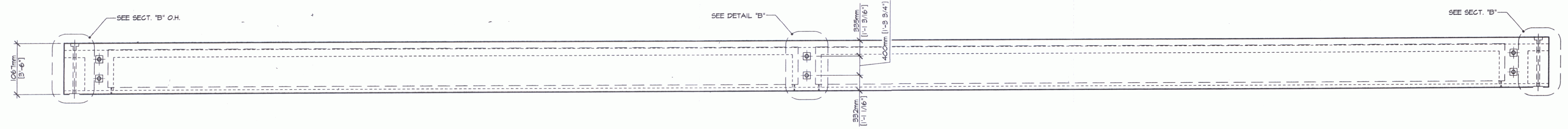
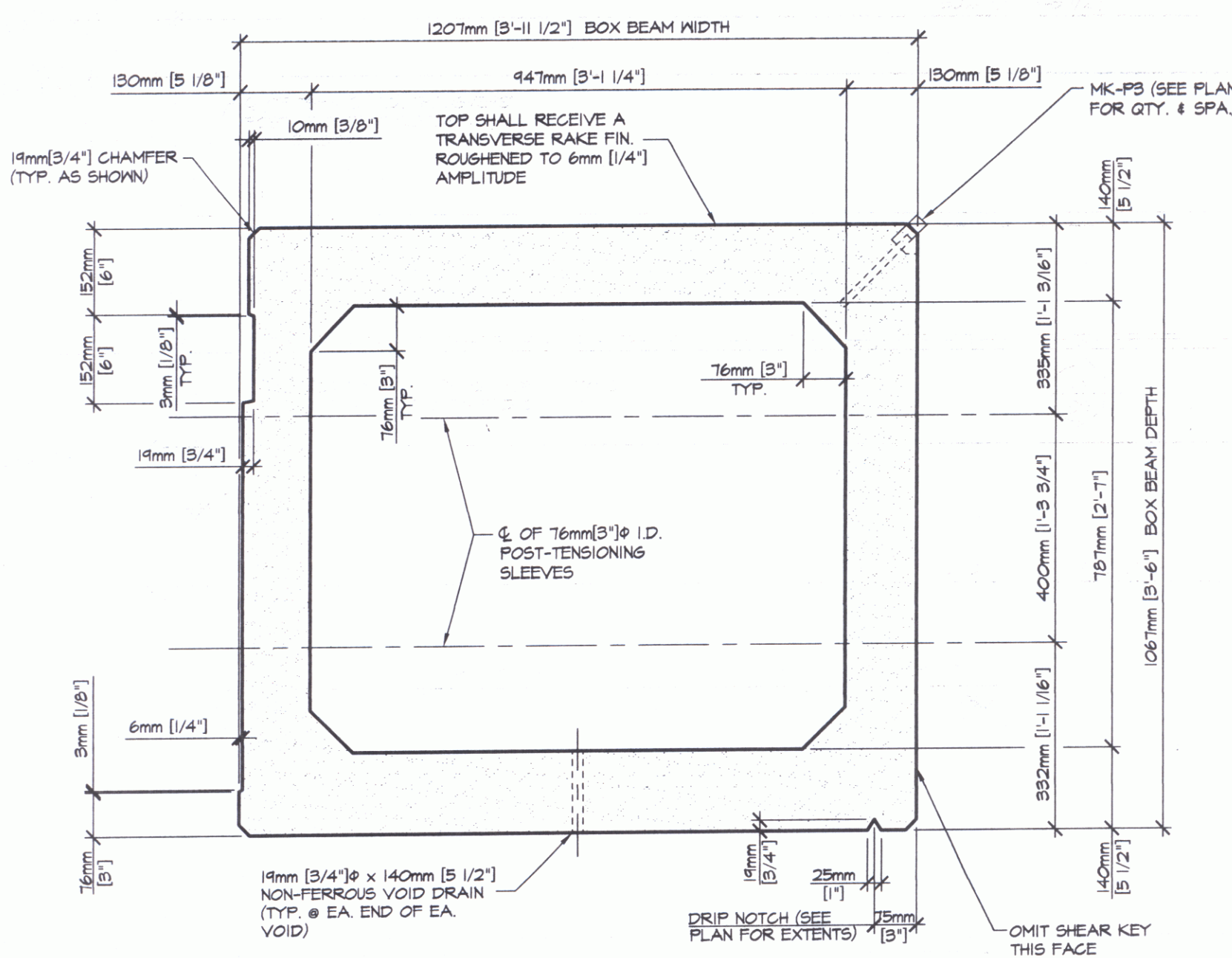


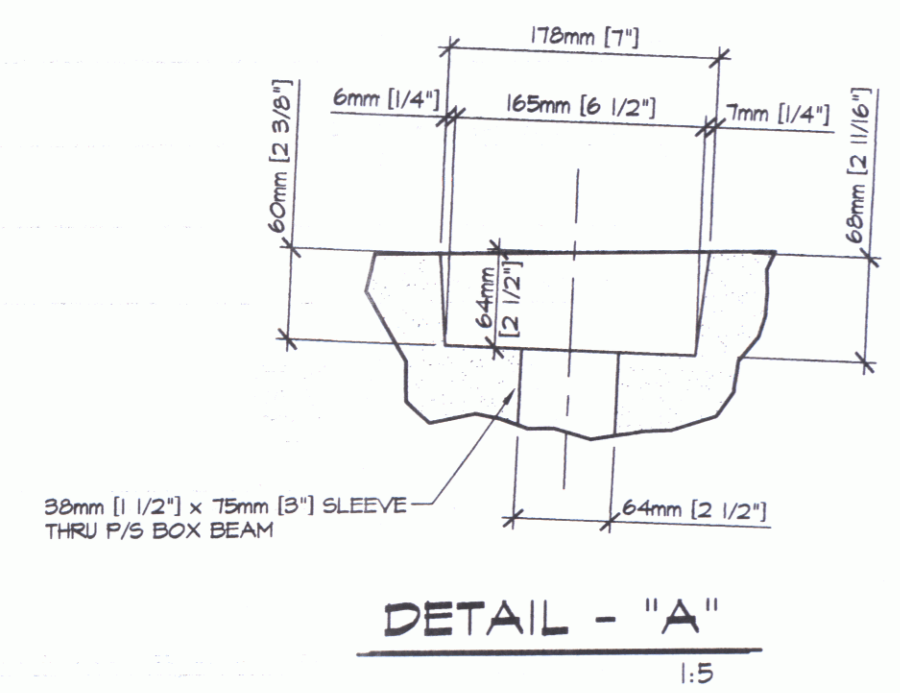
1 DIMENSIONAL PLAN VIEW IN FORM
B6 1:50



2 DIMENSIONAL ELEVATION VIEW IN FORM
B6 1:50

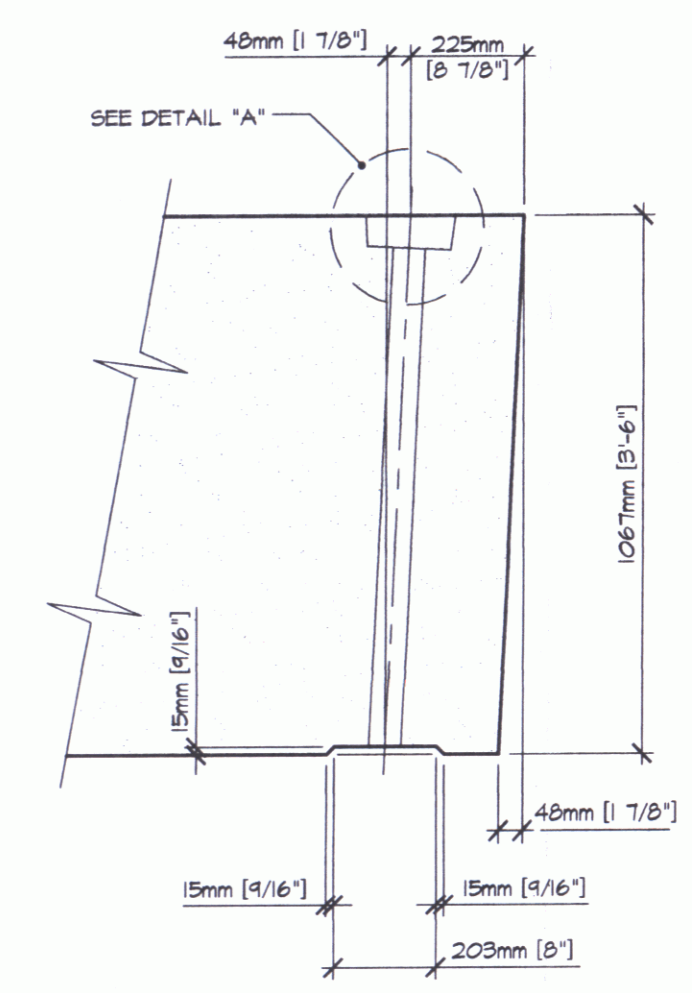


A DIMENSIONAL SECTION
B6 1:10

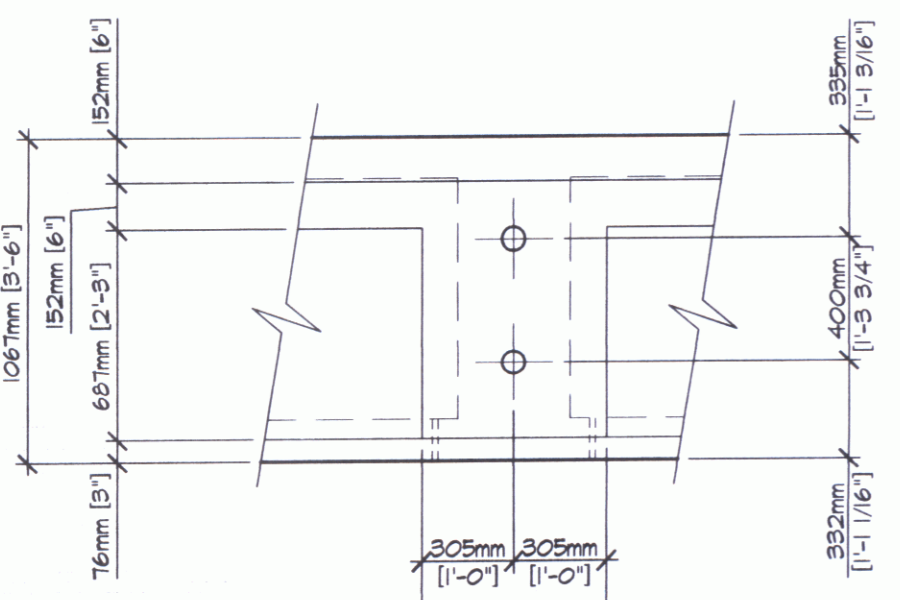


DETAIL - "A" 1:5

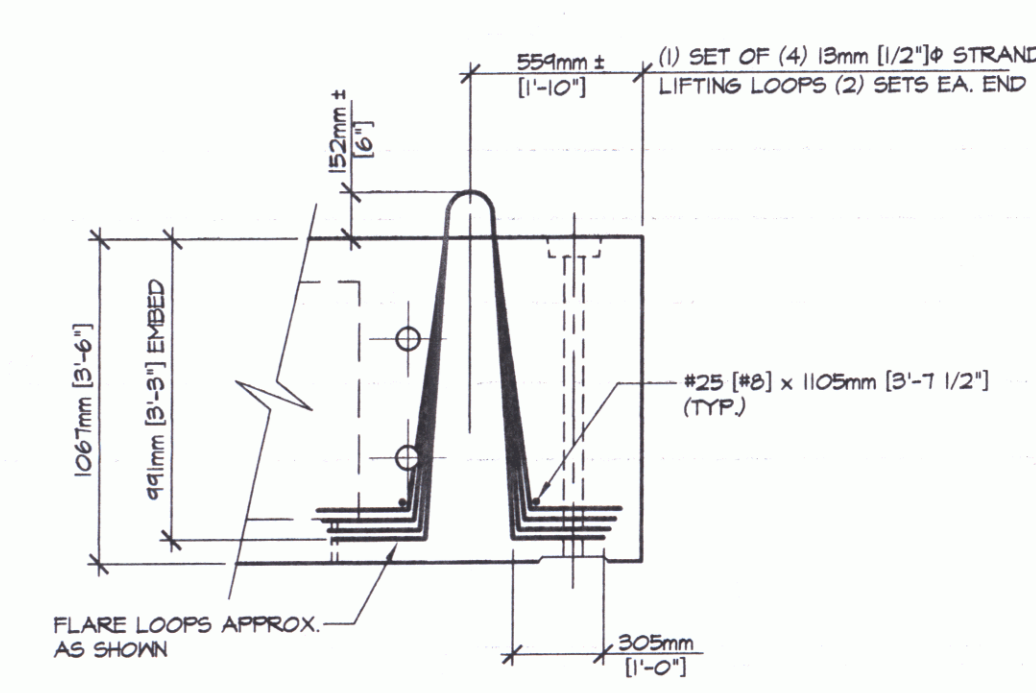
SHOP NOTE: SLEEVE TO BE REMOVED AFTER BEAM IS FABRICATED.



SECTION - "B" 1:15



DETAIL - "B" 1:25



LIFTING LOOP DETAIL 1:25

MARK: CB6	QTY: 1	WT.: 45200 kg [49.83 T]	VOL.: 18.81 m ³ [24.60 cu]
MATERIAL LIST / BEAM			
ITEM	MARK	DESCRIPTION	QTY.
1			
2			
3			
4			
5			
6			
7		#25 (#8) x 1105mm [3'-1 1/2"] EPOXY COATED	4
8			
9		947mm [3'-1 1/4"] x 787mm [2'-7"] x 14653mm [48'-0 7/8"] BOX VOID	2
10		19mm [3/4"] x 140mm [5 1/2"] NON-FERROUS VOID DRAIN	4
11		FOUR 13mm [1/2"] STRAND LIFTING LOOPS	4
12			

SHOP DRAWING REVIEW

APPROVAL STAMP

REVIEWER: [] REVIEWER: []

REVISIONS: [] REVISIONS: []

DATE: 2/16/10

VHB Vermont Hanger Brackets, Inc. Job Number: 50735-WD
 Engineers, Planners, and Scientists Reviewed By: LSL/MAC
 Six Bedford Farms, Milton Rd. Bedford, NH 03110 603.644.0888 Date: 2/16/10

J.P. CARRARA & SONS INC.
 Precast & Prestress Manufacturer
 2464 CASE STR., MOORESBURY, VERMONT 05753 Phone: (802)388-6361 Fax: (802)388-9010

KUBRICKY CONST. CORP.
 CONTRACTOR
 GLENS FALLS, NEW YORK

STATE OF VERMONT A.O.T.
 COUNTY OF CHITTENDEN

TOWN OF COLCHESTER - SOUTH BURLINGTON
 TH 4/3 (URBAN MINOR ARTERIAL), BRIDGE NO.6

P/S BOX BEAM DETAILS

DATE: NOV. 14, 2005
 SCALE: NOTED
 CHKD: - DFTM: T.J.D.
 JOB NO: 28224-05
 DWG. NO: B6