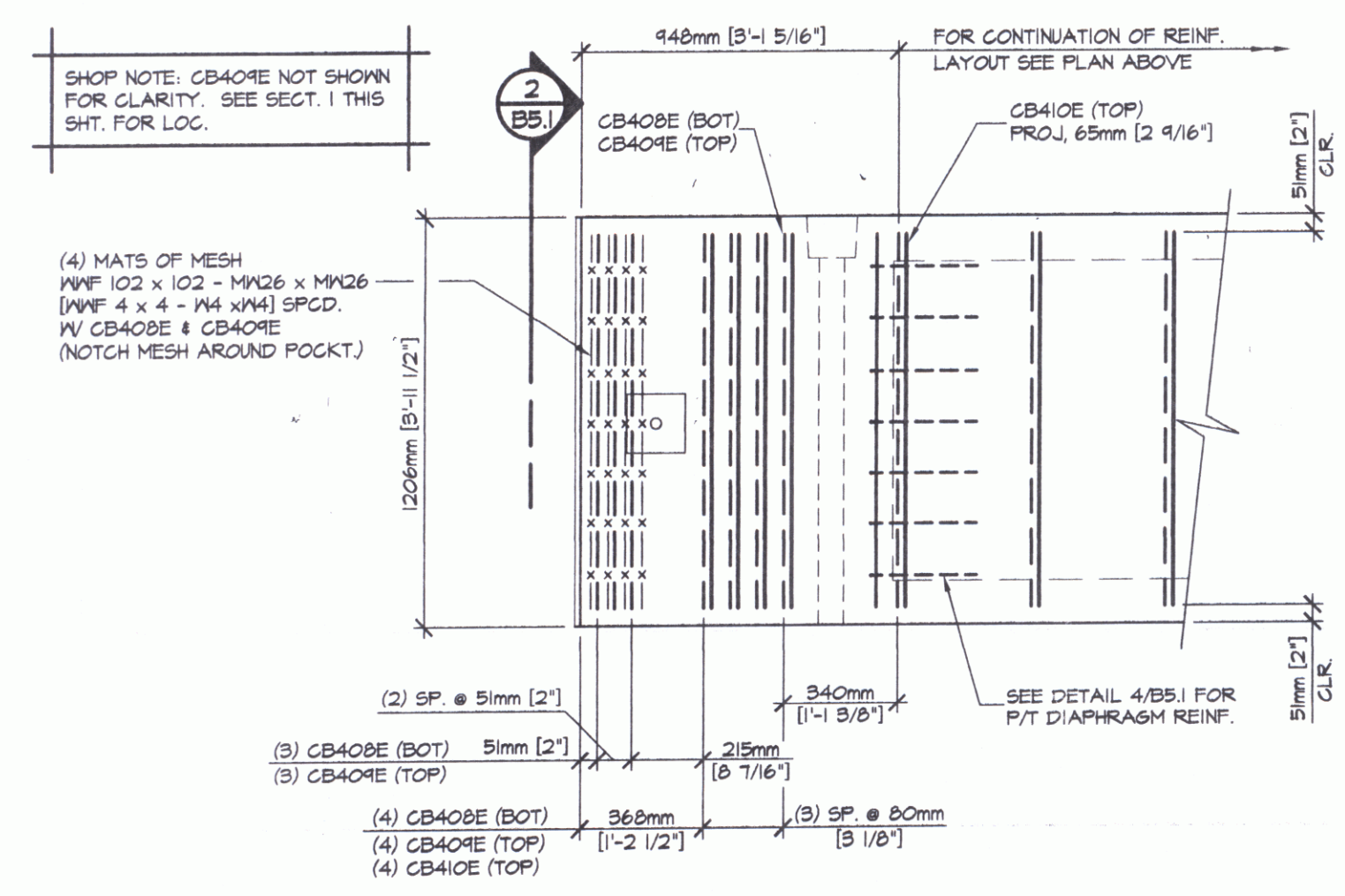


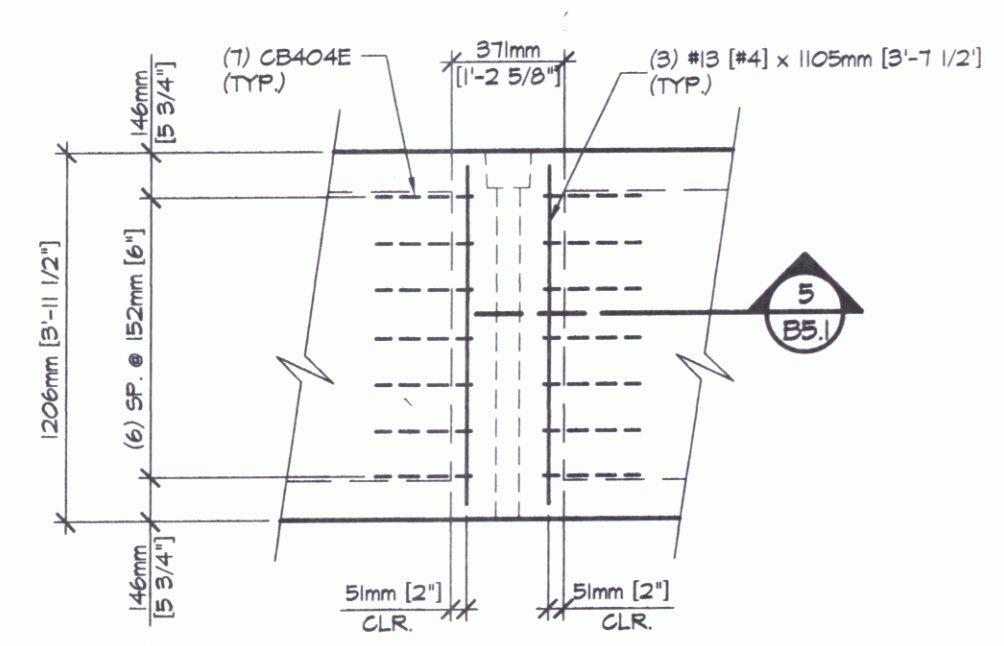
A REINFORCING PLAN VIEW IN FORM
B5.1 1:50

SHOP NOTE:
ADJUST REINFORCING AS REQUIRED TO CLEAR SLEEVES, POCKETS, ETC.

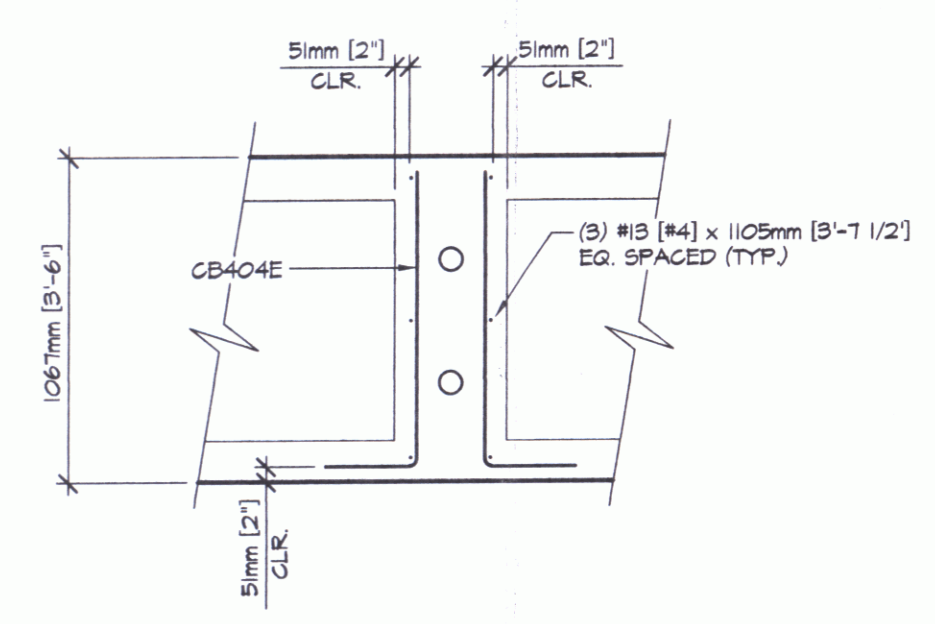
NEED ONE MORE BAR. SPACING NEEDS TO BE ≤ 400 mm



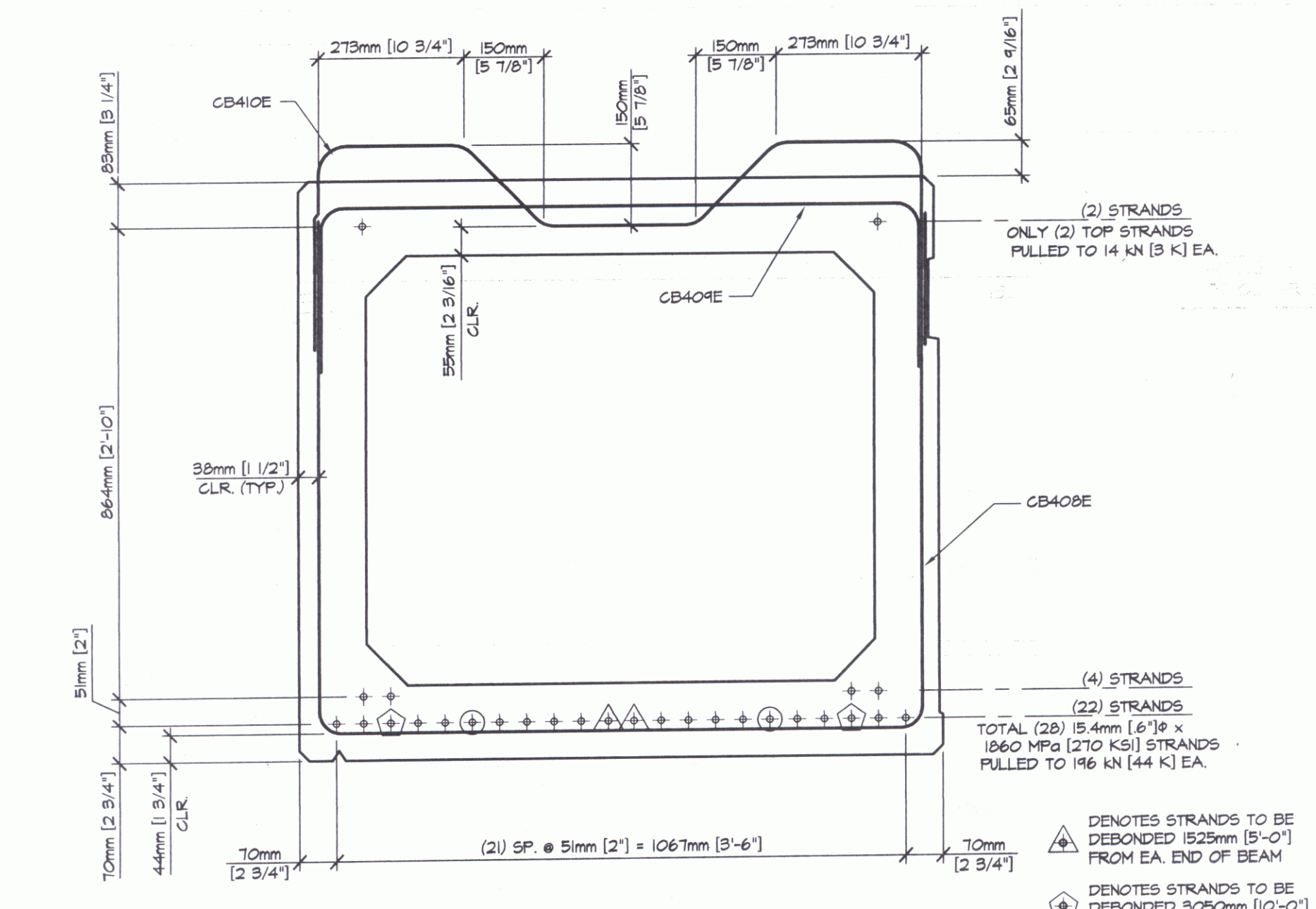
B END BLOCK REINFORCING PLAN
B5.1 1:20



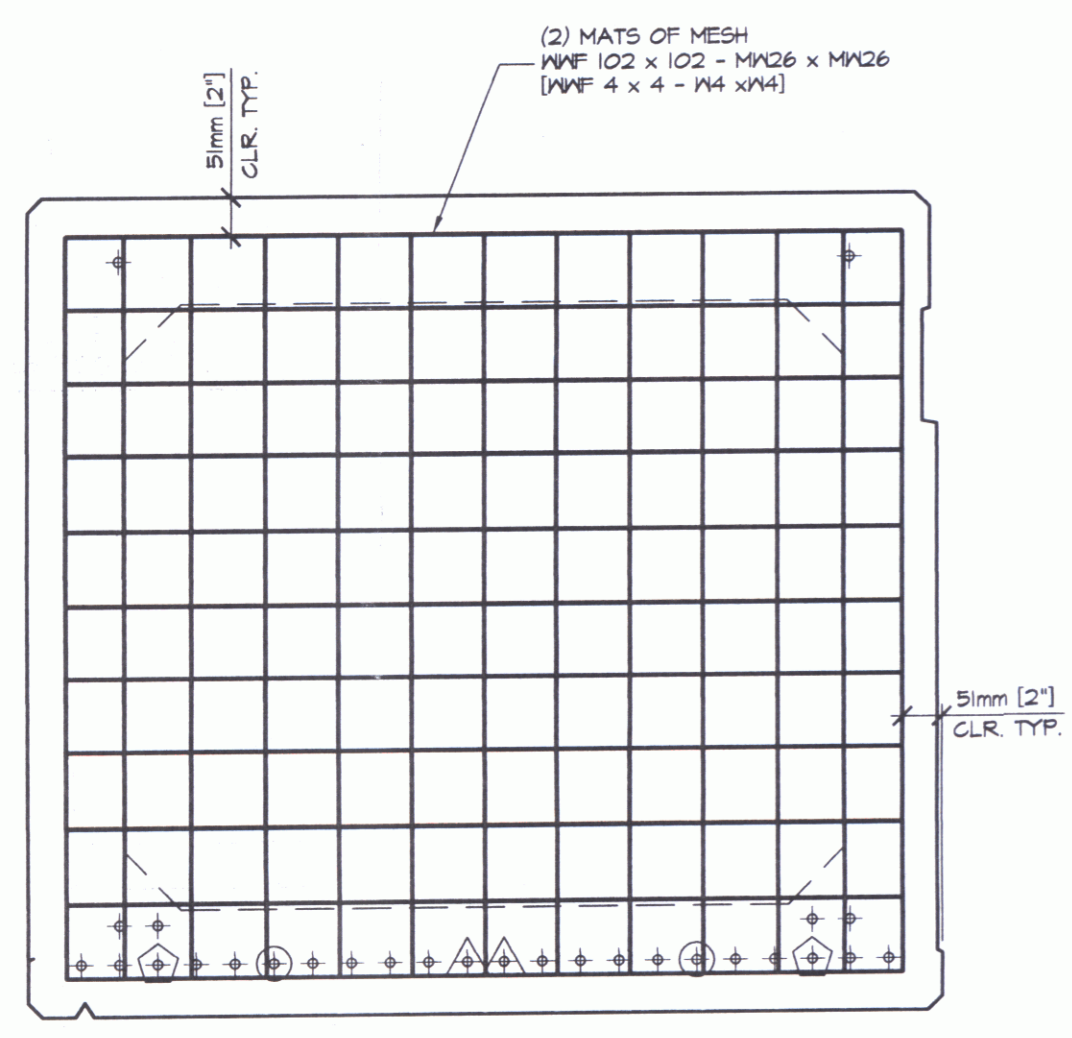
4 DIAPHRAGM REINF.
B5.1 1:25



5 DIAPHRAGM SECTION
B5.1 1:25



1 REINFORCING SECTION
B5.1 1:10



2 END BLOCK SECTION
B5.1 1:10



DETENSIONING SCHEDULE
N.T.S.

MARK: CB4 QTY: 8

CHECK QUANTITY

MATERIAL LIST / BEAM			
ITEM	MARK	DESCRIPTION	QTY.
1	CB408E	#3 [#4] BENT BAR (EPOXY COATED)	88
2	CB409E	#3 [#4] BENT BAR (EPOXY COATED)	88
3	CB410E	#3 [#4] BENT BAR (EPOXY COATED)	82
4	CB404E	#3 [#4] BENT BAR (EPOXY COATED)	28
5			
6		#3 [#4] x 1105mm [3'-1 1/2"] (EPOXY COATED)	12
7			
8		SHEET SIZE 965mm [3'-2"] x 1105mm [3'-1 1/2"] MWF 102 x 102 - Mx26 x Mx26 [MWF 4 x 4 - 1x4 x1x4]	8
9			
10			
11			
12			

SHOP DRAWING REVIEW

REVIEWED AS REQUIRED BY THE CONSTRUCTION CONTRACT DOCUMENTS AND APPROVED, BUT ONLY FOR APPROVAL OF CONCEPT OF THE WORK, AND SUBJECT TO FURTHER LIMITATIONS AND REQUIREMENTS CONTAINED IN THE CONSTRUCTION CONTRACT DOCUMENTS.

REVISIONS OR COMMENTS MADE ON THE SHOP DRAWINGS DURING THIS REVIEW DO NOT RELIEVE THE CONTRACTOR FROM COMPLIANCE WITH REQUIREMENTS OF THE DRAWINGS AND SPECIFICATIONS. THIS CHECK IS ONLY FOR REVIEW OF GENERAL CONFORMANCE WITH THE DESIGN CONCEPT OF THE PROJECT AND GENERAL COMPLIANCE WITH THE INFORMATION GIVEN IN THE CONTRACT DOCUMENTS. THE CONTRACTOR IS RESPONSIBLE FOR: CONFIRMING AND CORRECTING ALL QUANTITIES AND DIMENSIONS; SELECTING FABRICATION PROCESSES AND TECHNIQUES OF CONSTRUCTION; COORDINATING HIS WORK WITH THAT OF ALL OTHER TRADES; AND PERFORMING HIS WORK IN A SAFE AND SATISFACTORY MANNER.

Vannasa Hangen Bruslin, Inc.
Engineers, Planners, and Scientists
Six Bedford Farms, Kilton Rd.
Bedford, NH 03110 603 844 9888

Job Number: 50755-60
Reviewed By: LSH/MAC
Date: 2/6/04

J.P. CARRARA & SONS INC.
Precast & Prestress Manufacturer
2464 GAGE STR., WOODBURY, VERMONT 05753 Phone: (802)388-6361 Fax: (802)388-9010

KUBRICKY CONST. CORP.
CONTRACTOR
GLENS FALLS, NEW YORK

DATE: NOV. 14, 2005
SCALE: NOTED

STATE OF VERMONT A.O.T.
COUNTY OF CHITTENDEN

TOWN OF COLCHESTER - SOUTH BURLINGTON
PROJECT: LIME KILN BRIDGE
TH 4/3 (URBAN MINOR ARTERIAL), BRIDGE NO.6

CHKD: - DFTM: T.J.D.
JOB NO: 23229-05
DWG. NO: B5.1

P/S BOX BEAM REINF. DETAILS