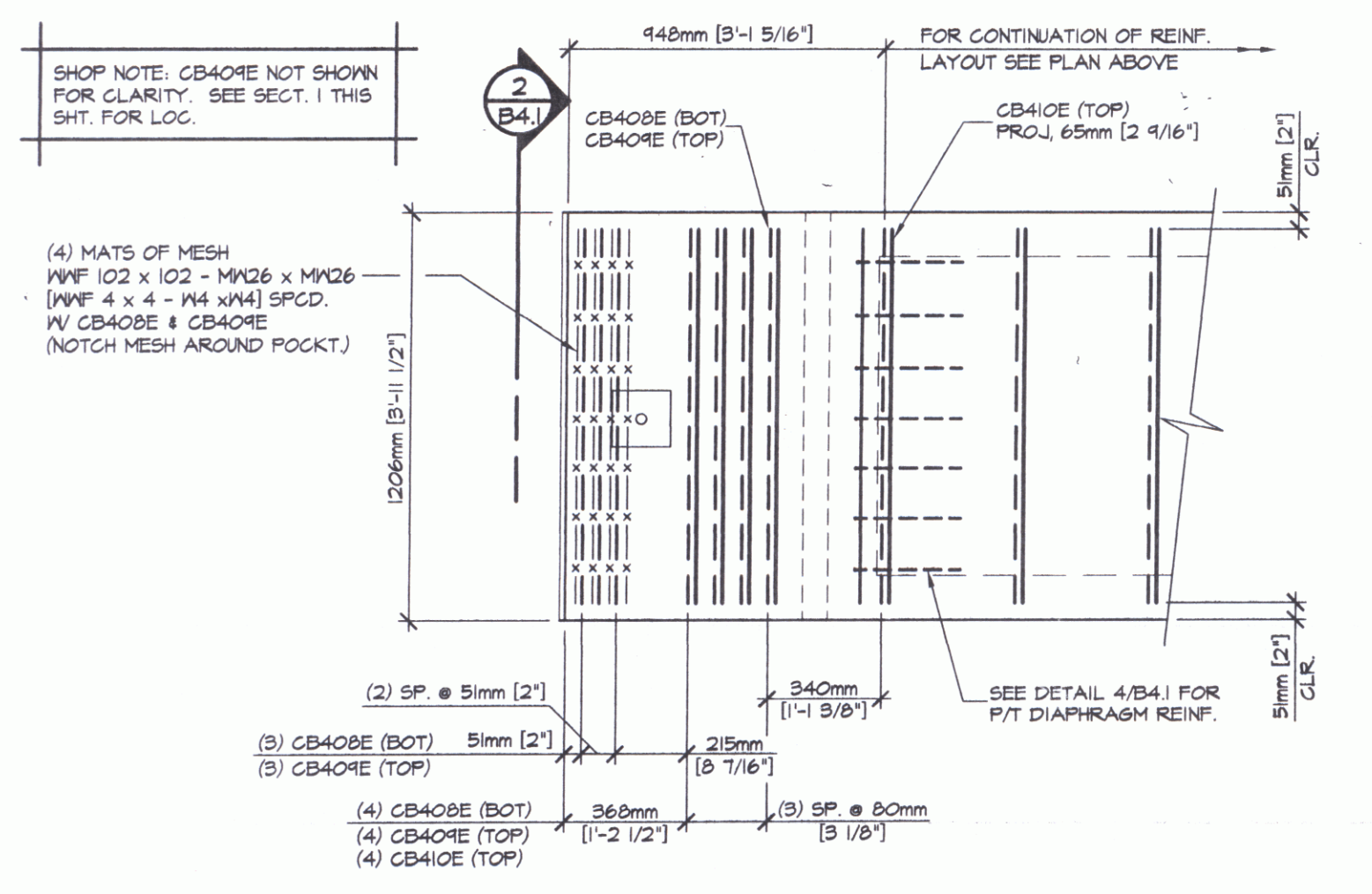


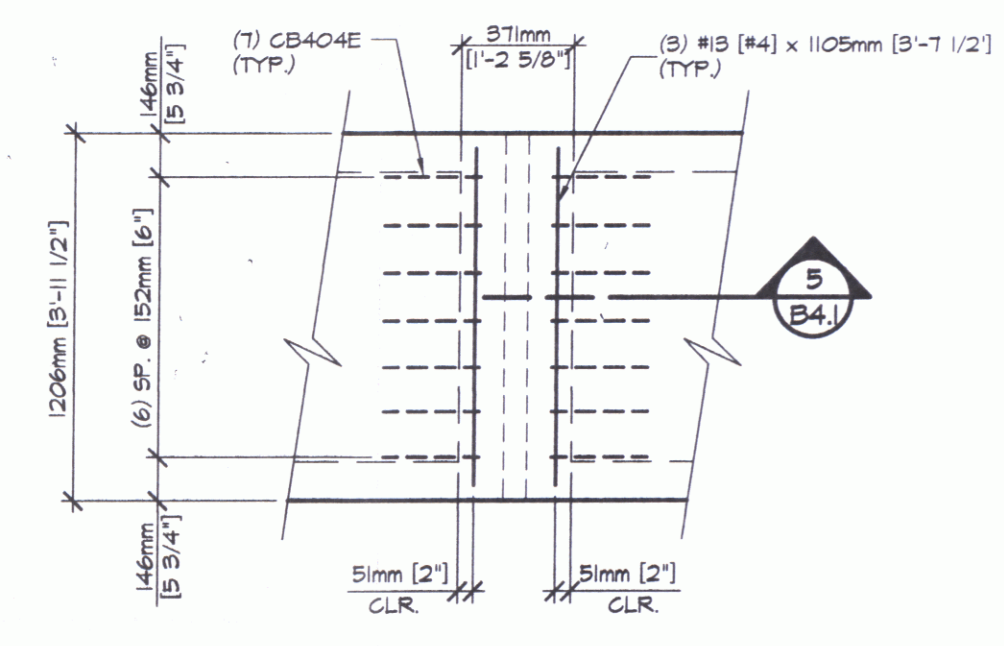
A REINFORCING PLAN VIEW IN FORM
B4.1 1:50

SHOP NOTE:
ADJUST REINFORCING AS REQUIRED
TO CLEAR SLEEVES, POCKETS, ETC.

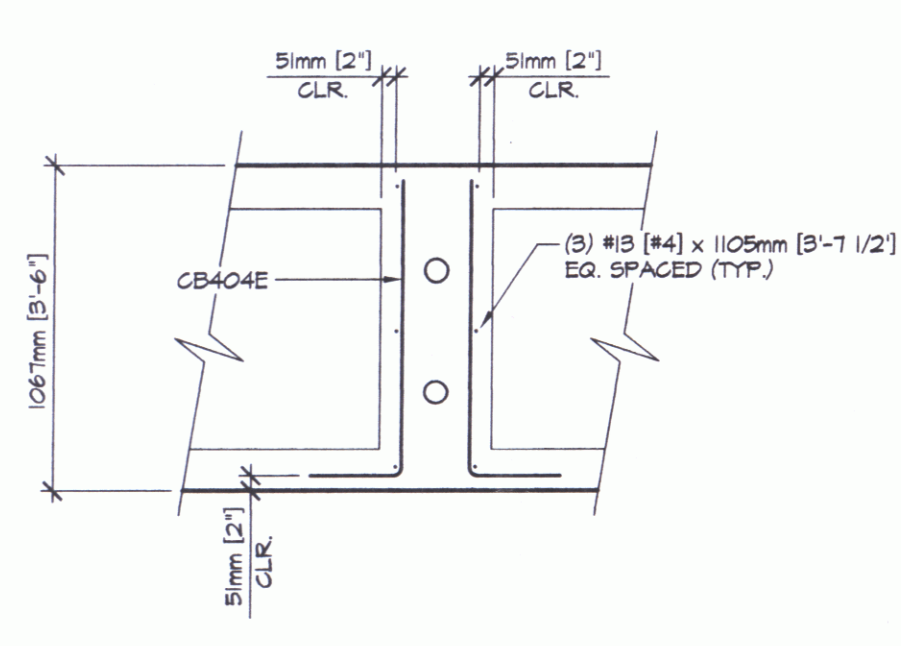
NEED ONE MORE BAR. SPACING
NEEDS TO BE ≤ 400 mm



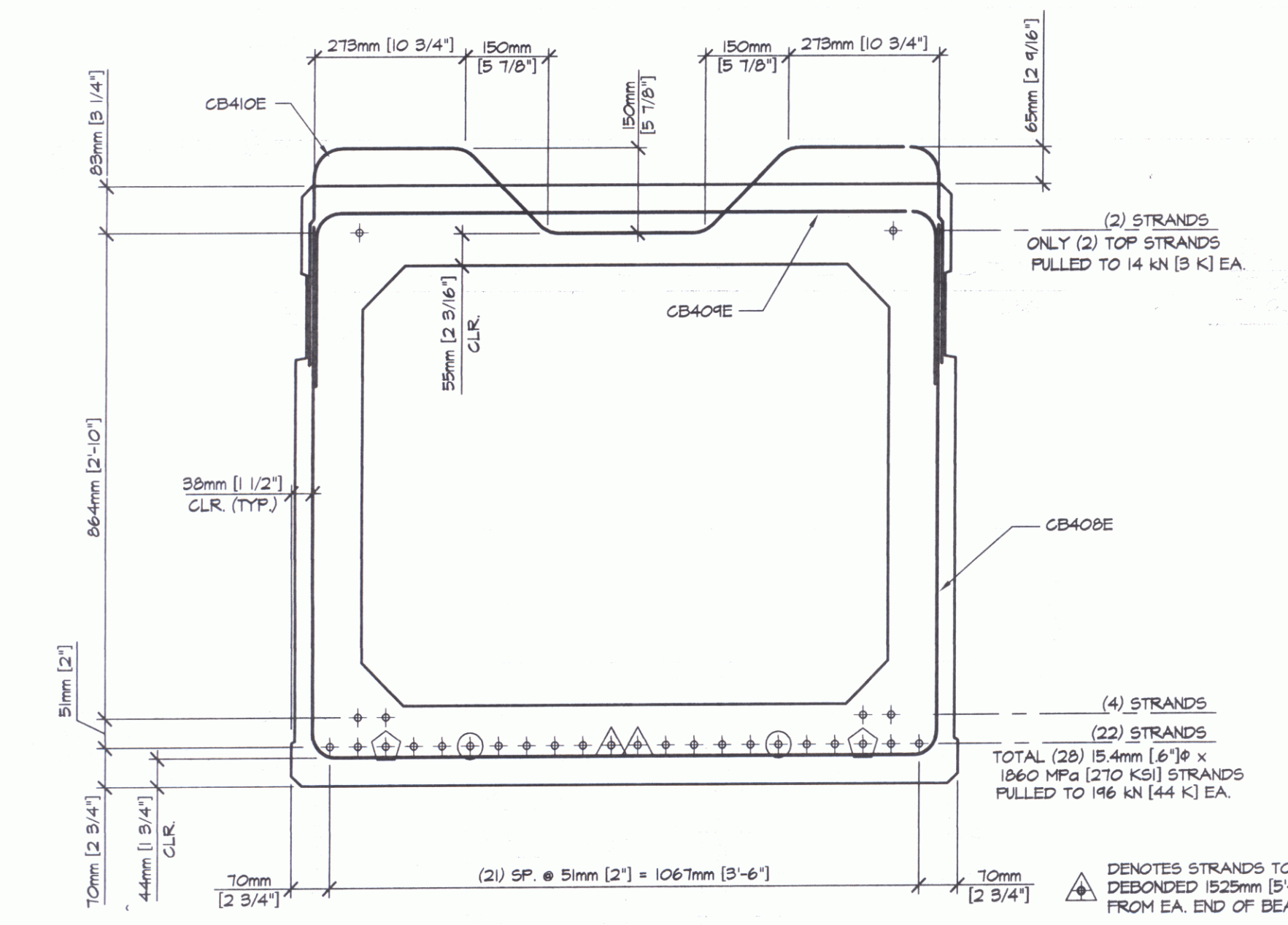
3 END BLOCK REINFORCING PLAN
B4.1 1:20



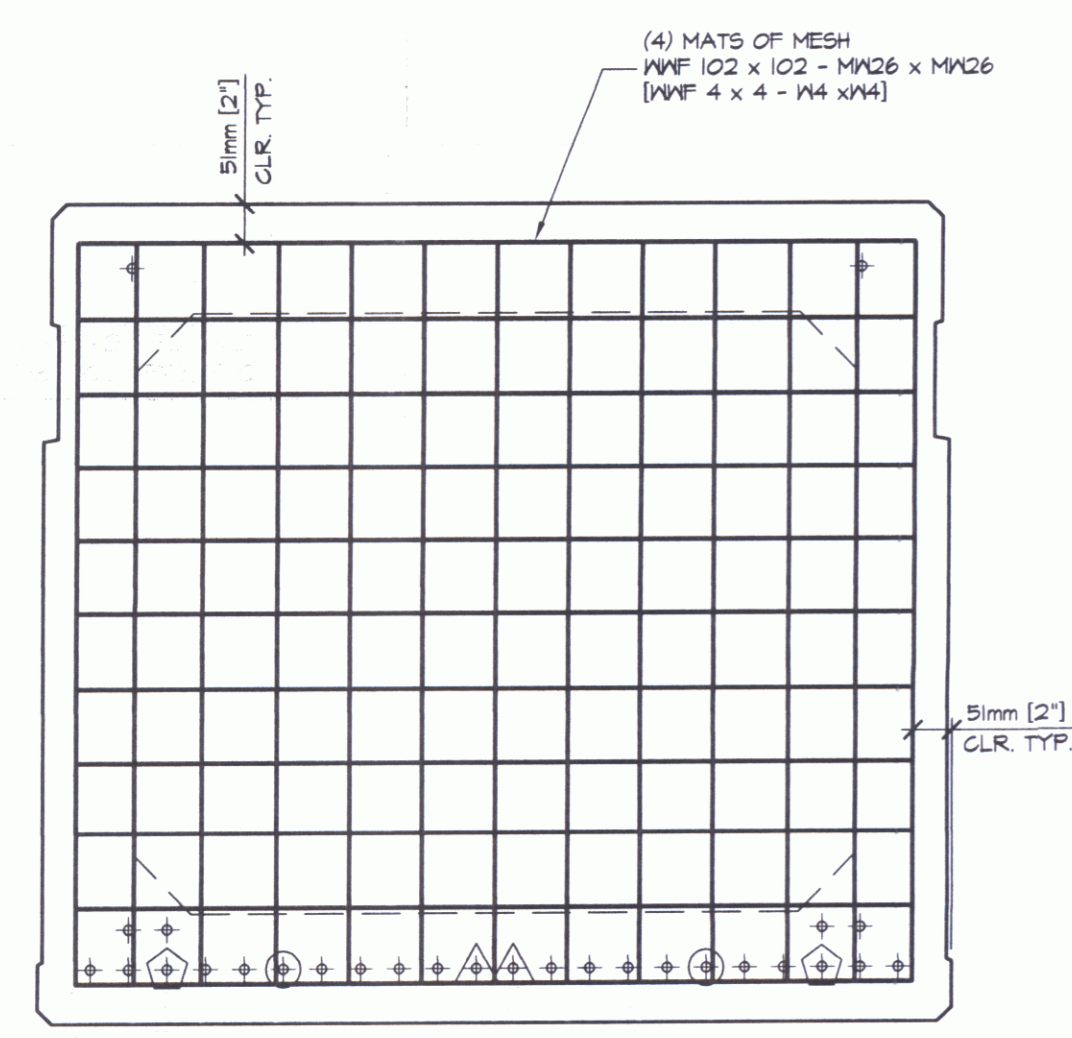
4 DIAPHRAGM REINF.
B4.1 1:25



5 DIAPHRAGM SECTION
B4.1 1:25



1 REINFORCING SECTION
B4.1 1:10



2 END BLOCK SECTION
B4.1 1:10



DETENSONING SCHEDULE
N.T.S.

MARK: CB4 QTY: 8

CHECK QUANTITY

MATERIAL LIST / BEAM			
ITEM	MARK	DESCRIPTION	QTY.
1	CB404E	#13 (#4) BENT BAR (EPOXY COATED)	88
2	CB404E	#13 (#4) BENT BAR (EPOXY COATED)	88
3	CB404E	#13 (#4) BENT BAR (EPOXY COATED)	82
4	CB404E	#13 (#4) BENT BAR (EPOXY COATED)	28
5			
6		#13 (#4) x 1105mm (3'-7 1/2") (EPOXY COATED)	12
7			
8		SHEET SIZE 965mm (3'-2") x 1105mm (3'-7 1/2")	
9		WVF 102 x 102 - MN26 x MN26 [WVF 4 x 4 - W4 x W4]	8
10			
11			
12			

SHOP DRAWING REVIEW

APPROVAL STAMP:

REVIEWED FOR CONFORMANCE WITH THE CONSTRUCTION CONTRACT DOCUMENTS AND APPROVED, BUT ONLY FOR CONFORMANCE TO THE DESIGN CONCEPT OF THE WORK, AND SUBJECT TO FURTHER LIMITATIONS AND REQUIREMENTS CONTAINED IN THE CONSTRUCTION CONTRACT DOCUMENTS.

REJECTED REVISE AND RESUBMIT FURNISH AS CORRECTED

CORRECTIONS OR COMMENTS MADE ON THE SHOP DRAWINGS DURING THIS REVIEW DO NOT RELIEVE CONTRACTOR FROM COMPLIANCE WITH REQUIREMENTS OF THE DRAWINGS AND SPECIFICATIONS. THIS CHECK IS ONLY FOR REVIEW OF GENERAL CONFORMANCE WITH THE DESIGN CONCEPT OF THE PROJECT AND GENERAL COMPLIANCE WITH THE INFORMATION GIVEN IN THE CONTRACT DOCUMENTS. THE CONTRACTOR IS RESPONSIBLE FOR CONFIRMING AND CORRELATING ALL QUANTITIES AND DIMENSIONS, SELECTING FABRICATION PROCESSES AND TECHNIQUES OF CONSTRUCTION, COORDINATING HIS WORK WITH THAT OF ALL OTHER TRADES; AND PERFORMING HIS WORK IN A SAFE AND SATISFACTORY MANNER.

VHB
Vermont Hanger Brackets, Inc.
Engineers, Planners, and Scientists
5th Bedford Farms, Kilton Rd.
Bedford, NH 03110 603 544 0888

Job Number: 58755-WD
Reviewed By: LSL/MAC
Date: 2/14/04

J.P. CARRARA & SONS INC.
Precast & Prestress Manufacturer
2464 CASE STR., MIDDLEBURY, VERMONT 05753 Phone: (802)388-6361 Fax: (802)388-9010

KUBRICKY CONST. CORP.
CONTRACTOR
GLENS FALLS, NEW YORK

STATE OF VERMONT A.O.T.
COUNTY OF CHITTENDEN

TOWN OF COLCHESTER - SOUTH BURLINGTON
PROJECT: LIME KILN BRIDGE
TH 4/3 (URBAN MINOR ARTERIAL), BRIDGE NO. 6

P/S BOX BEAM REINF. DETAILS

DATE: NOV. 14, 2005
SCALE: NOTED
CHKD: - DFTM:T.J.D.
JOB NO: 23229-02
DWG. NO: B4.1