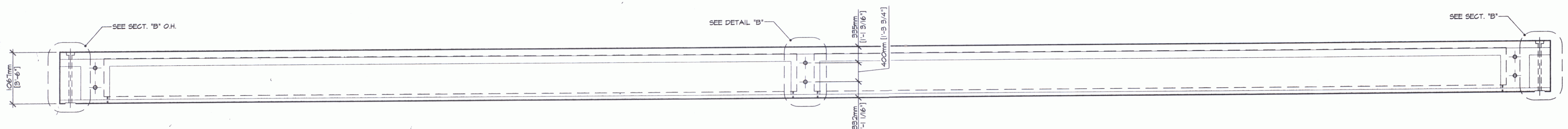
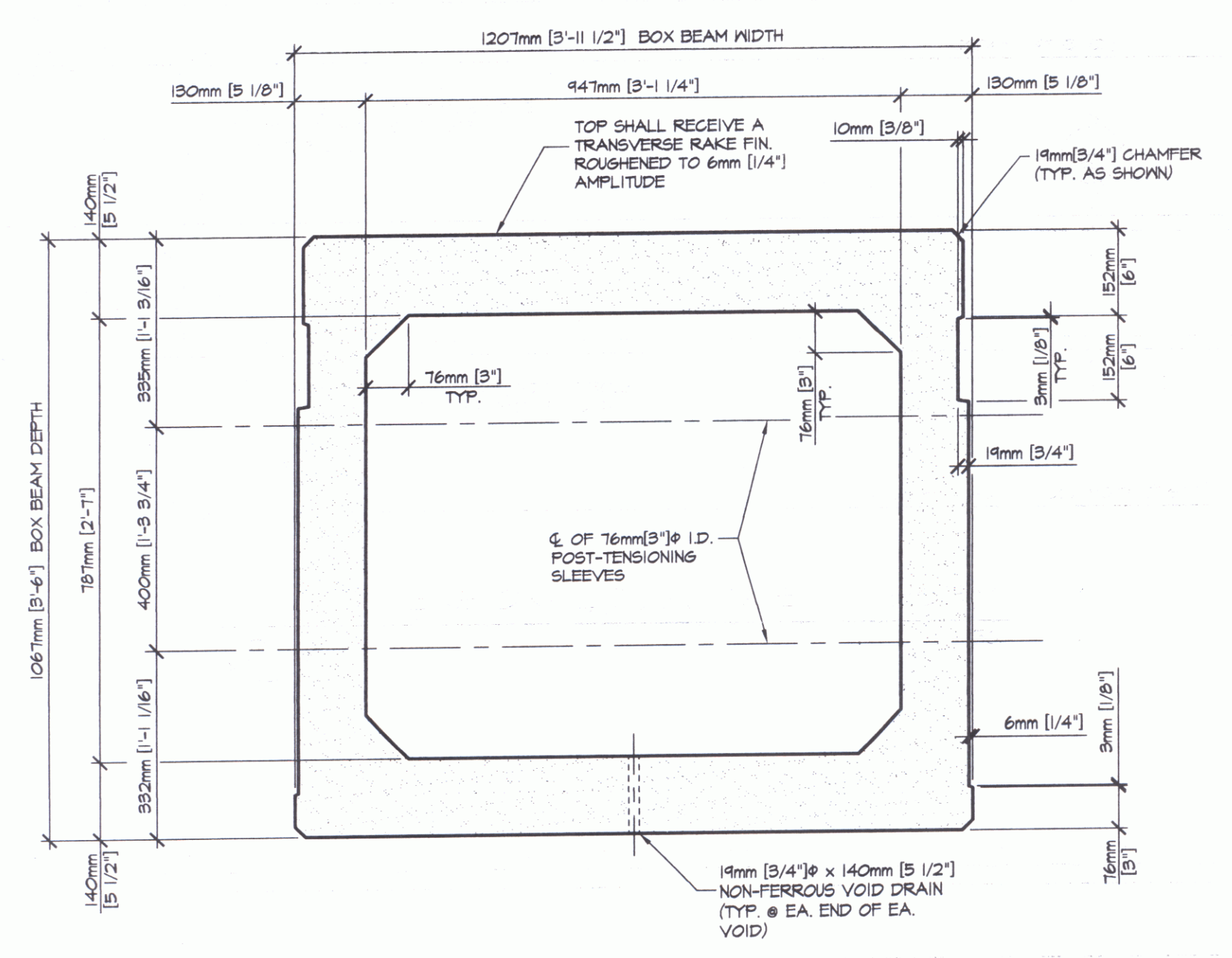


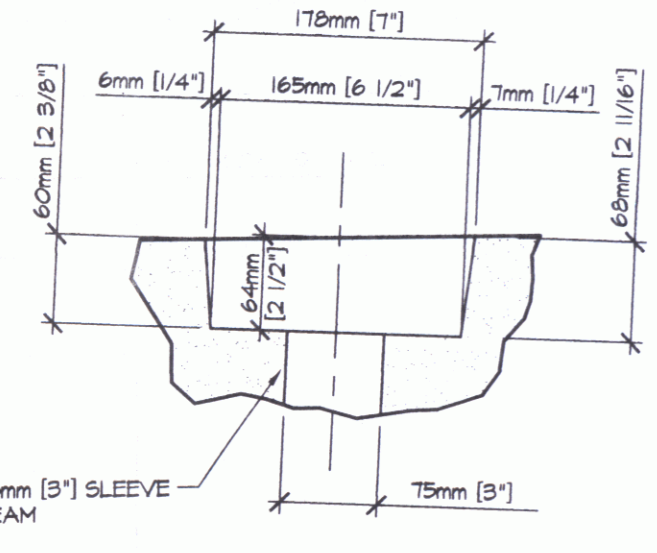
1 DIMENSIONAL PLAN VIEW IN FORM
 B4 1:50



2 DIMENSIONAL ELEVATION VIEW IN FORM
 B4 1:50

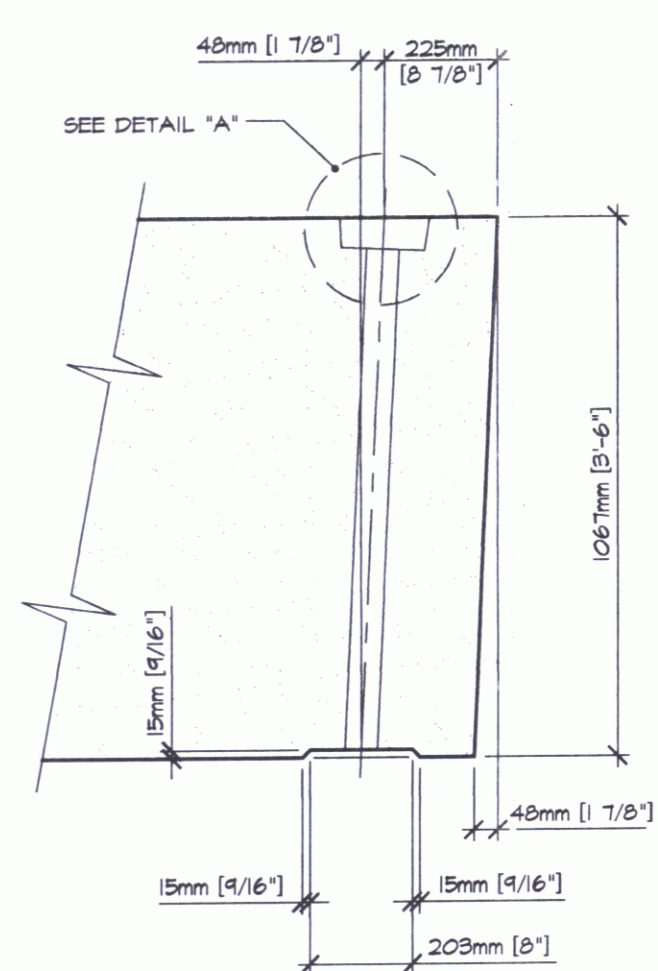


A DIMENSIONAL SECTION
 B4 1:10

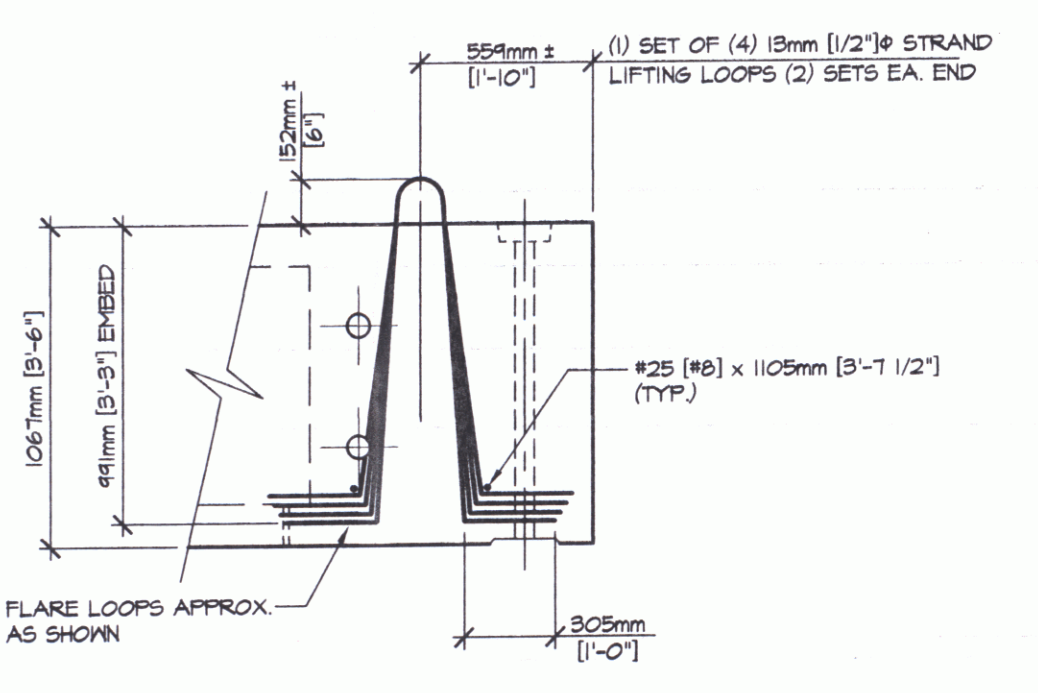


DETAIL - "A"
 1:5

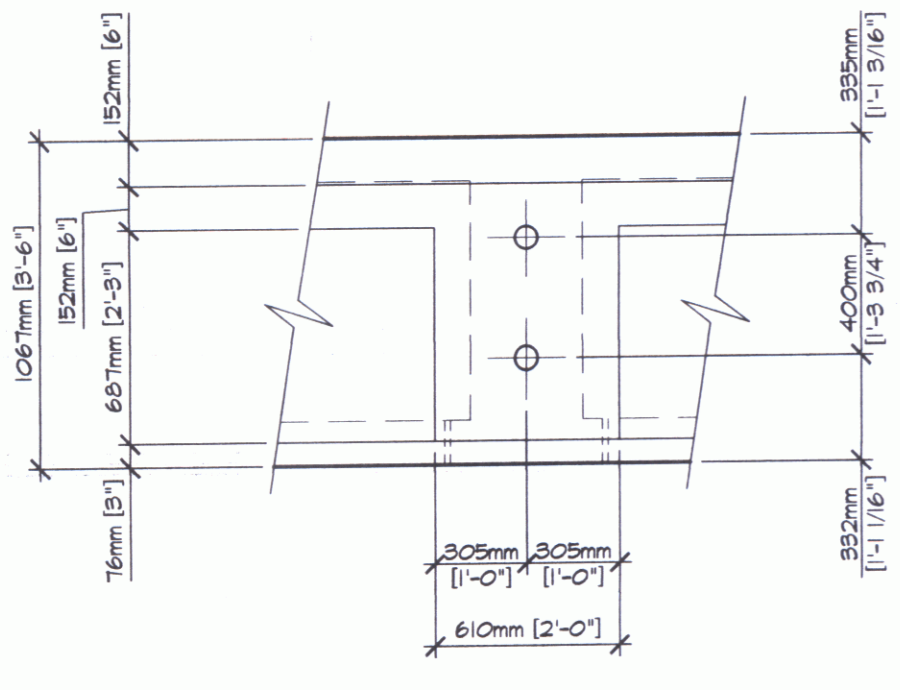
SHOP NOTE: SLEEVE TO BE REMOVED AFTER BEAM IS FABRICATED



SECTION - "B"
 1:15



LIFTING LOOP DETAIL
 1:25



DETAIL - "B"
 1:25

MARK: CB4	QTY: 8	WT.: 45,200 kg [49.83 T]	VOL.: 10.81 m ³ [2460 cy]
MATERIAL LIST / BEAM			
ITEM	MARK	DESCRIPTION	QTY.
1			
2			
3			
4			
5			
6			
7		#25 (#8) x 1105mm [3'-1 1/2"] EPOXY COATED	4
8			
9		447mm [3'-1 1/4"] x 787mm [2'-7"] x 14653mm [48'-0 7/8"] BOX VOID	2
10		19mm [3/4"] x 140mm [5 1/2"] NON-FERROUS VOID DRAIN	4
11		FOUR 13mm [1/2"] STRAND LIFTING LOOPS	4
12			

SHOP DRAWING REVIEW

REVIEWED APPROVAL STAMP IN CONTRACT DOCUMENTS AND APPROVED, BUT ONLY FOR PERFORMANCE TO THE DESIGN CONCEPT OF THE WORK, AND SUBJECT TO FURTHER LIMITATIONS AND REQUIREMENTS CONTAINED IN THE CONSTRUCTION CONTRACT DOCUMENTS.

REJECTED REVISE AND RESUBMIT FURNISH AS CORRECTED

CORRECTIONS OR COMMENTS MADE ON THE SHOP DRAWINGS DURING THIS REVIEW DO NOT RELIEVE CONTRACTOR FROM COMPLIANCE WITH REQUIREMENTS OF THE DRAWINGS AND SPECIFICATIONS. THIS CHECK IS ONLY FOR REVIEW OF GENERAL COMPLIANCE WITH THE DESIGN CONCEPT OF THE PROJECT AND GENERAL COMPLIANCE WITH THE INFORMATION GIVEN IN THE CONTRACT DOCUMENTS. THE CONTRACTOR IS RESPONSIBLE FOR CONFIRMING AND CORRELATING ALL QUANTITIES AND DIMENSIONS; SELECTING FABRICATION PROCESSES AND TECHNIQUES OF CONSTRUCTION; COORDINATING HIS WORK WITH THAT OF ALL OTHER TRADES; AND PERFORMING HIS WORK IN A SAFE AND SATISFACTORY MANNER.

VHB Vanessa Hangan Brustlin, Inc.
 Engineers, Planners, and Scientists
 Six Bedford Farms, Kilton Rd.
 Bedford, NH 03110 603 544 0988

Job Number: 58735-66
 Reviewed By: LSG/MAC
 Date: 2/6/16

J.P. CARRARA & SONS INC.
 Precast & Prestress Manufacturer
 2464 CASE STR., WOODBURY, VERMONT 05753 Phone: (802)388-6361 Fax: (802)388-9010

KUBRICKY CONST. CORP.
 CONTRACTOR
 GLENS FALLS, NEW YORK

DATE: NOV. 14, 2005
 SCALE: NOTED

STATE OF VERMONT A.O.T.
 COUNTY OF CHITTENDEN

TOWN OF COLCHESTER - SOUTH BURLINGTON
 PROJECT: LIME KILN BRIDGE
 TH 4/3 (URBAN MINOR ARTERIAL), BRIDGE NO.6

CHKD: - DFTM: T.J.D.
 JOB NO: 23229-02

P/S BOX BEAM DETAILS
 DWG. NO: B4