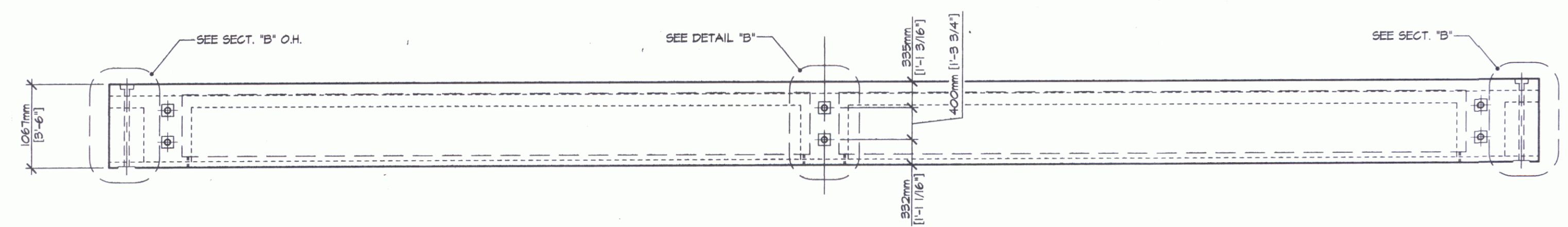
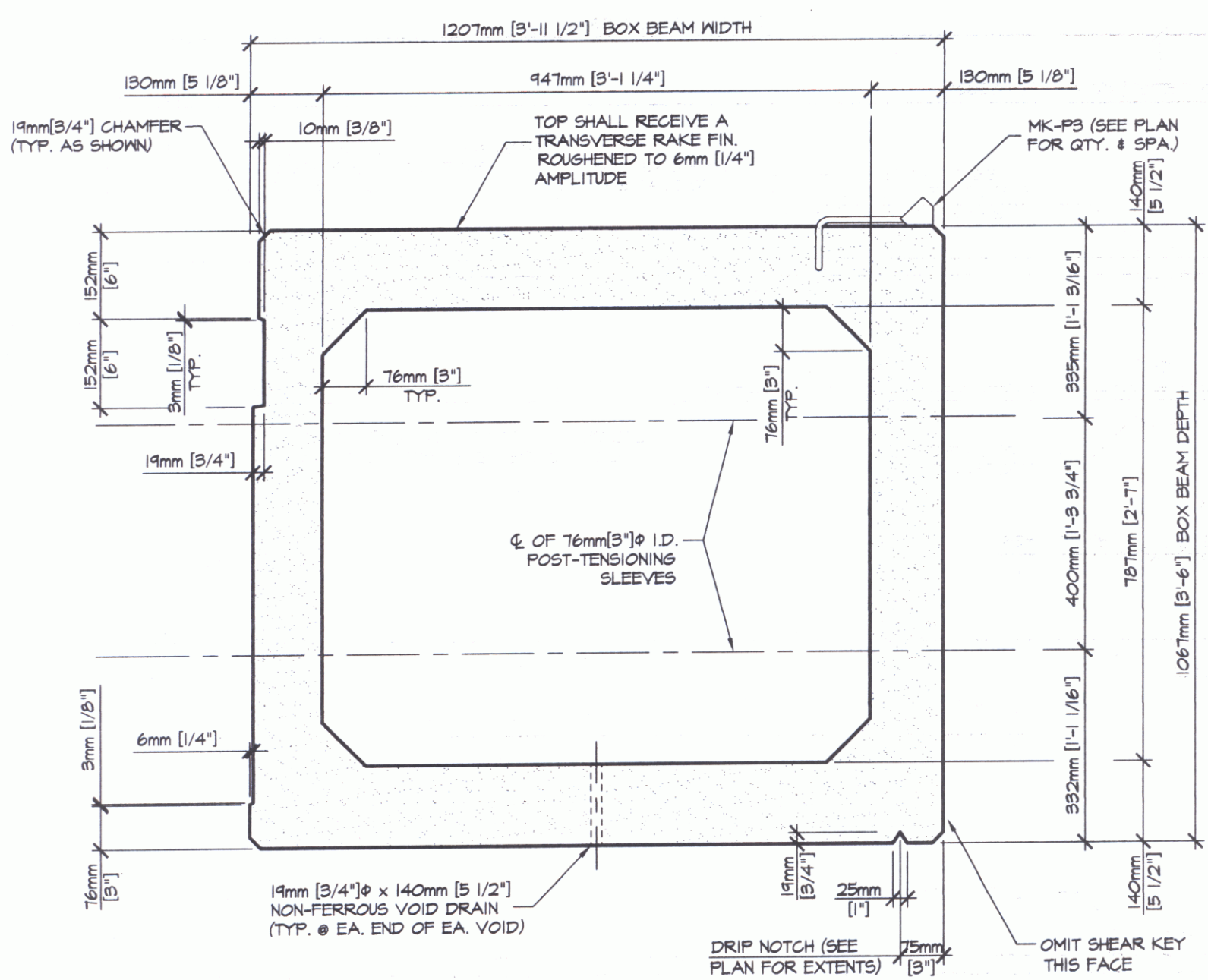


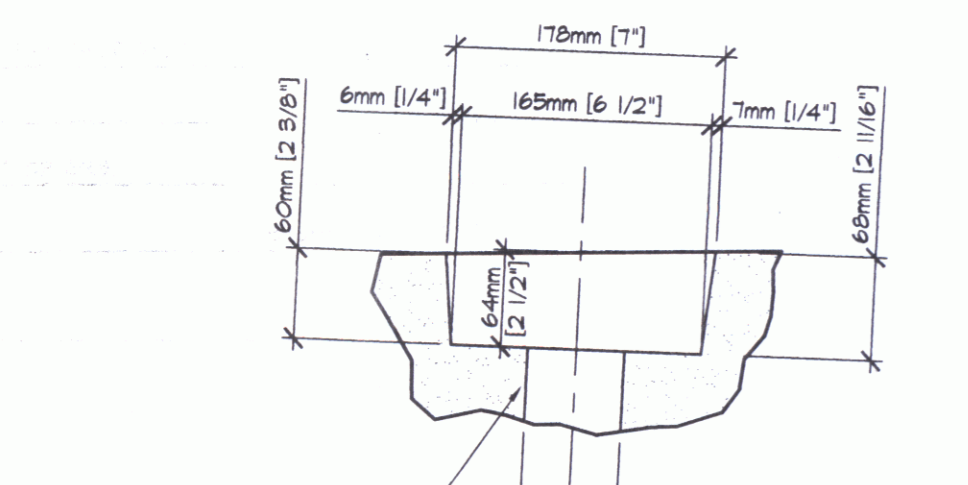
1 DIMENSIONAL PLAN VIEW IN FORM
B3 1:50



2 DIMENSIONAL ELEVATION VIEW IN FORM
B3 1:50

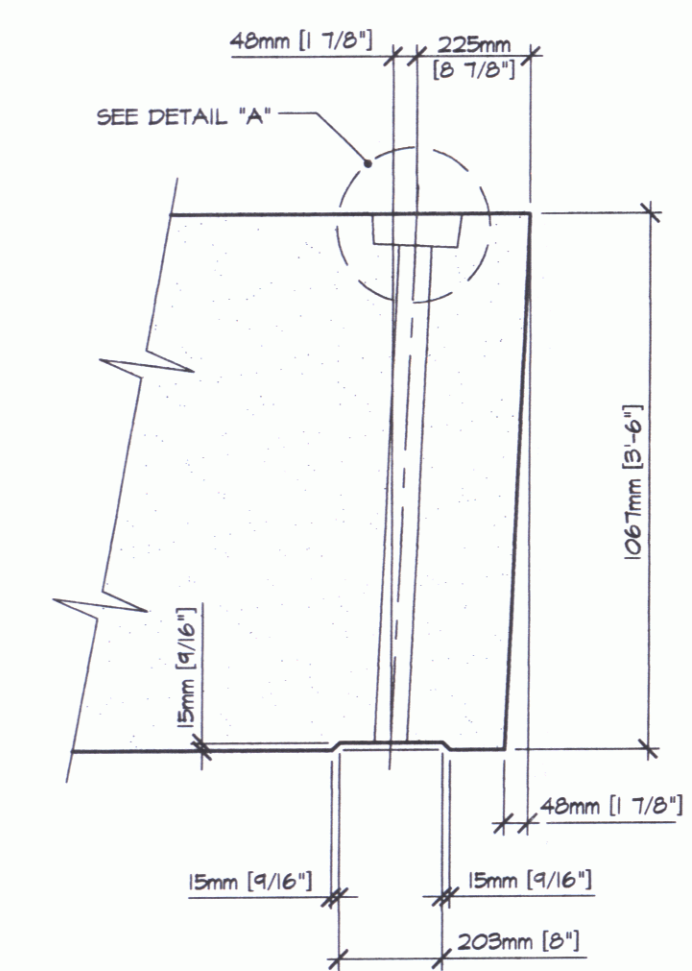


A DIMENSIONAL SECTION
B3 1:10

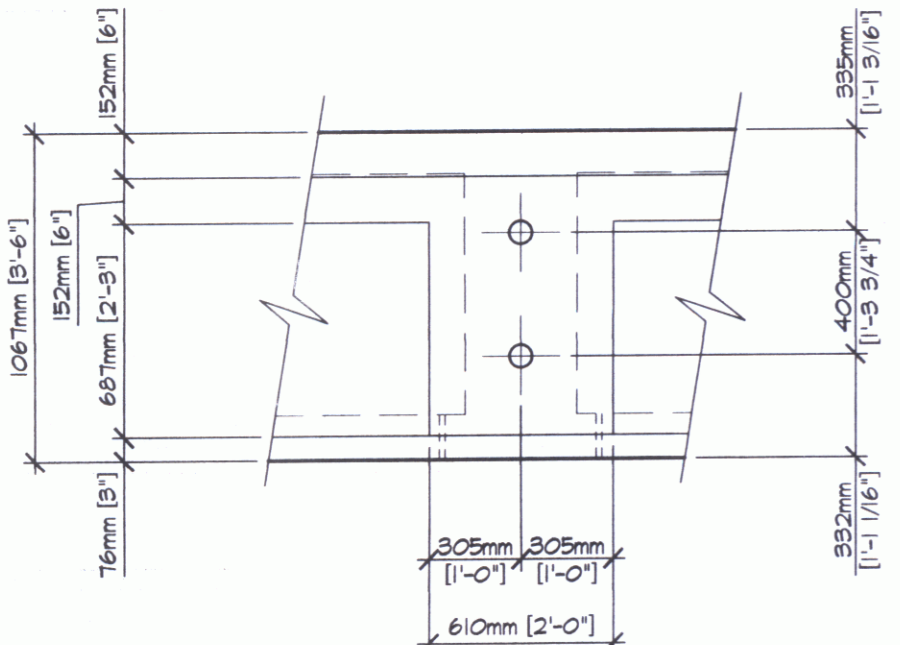


DETAIL - "A" 1:5

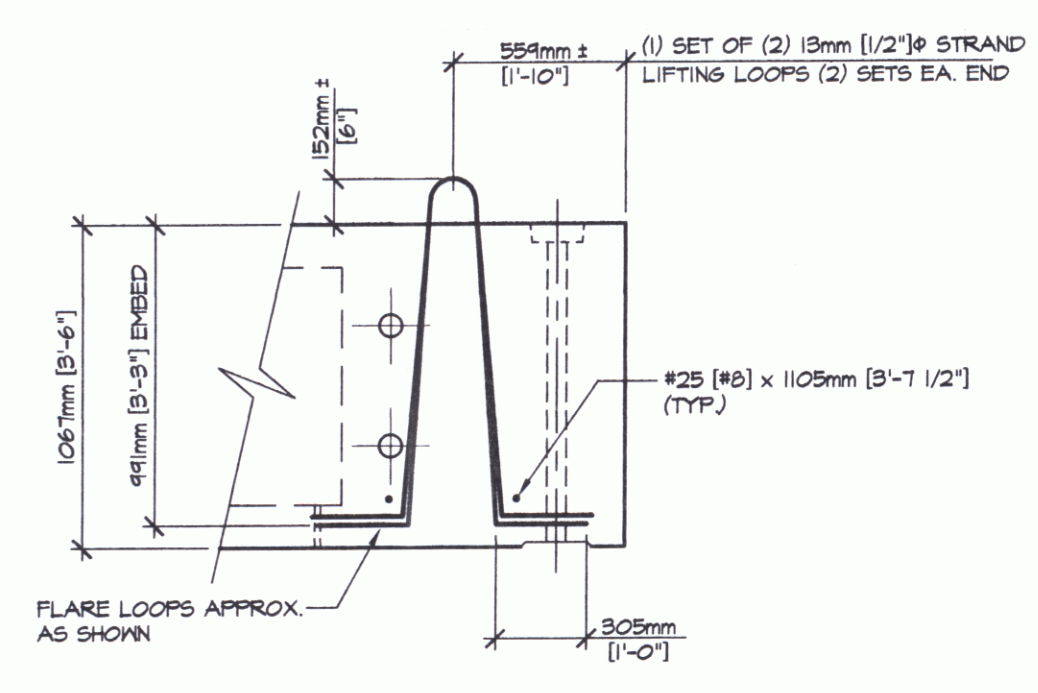
SHOP NOTE: SLEEVE TO BE REMOVED AFTER BEAM IS FABRICATED.



SECTION - "B" 1:15



DETAIL - "B" 1:25



LIFTING LOOP DETAIL 1:25

SHOP DRAWING REVIEW

APPROVAL STAMP:

REVIEWED BY: [Signature] DATE: 2/16/10

REVISIONS:

1. REVISION: [Blank] DATE: [Blank]

2. REVISION: [Blank] DATE: [Blank]

3. REVISION: [Blank] DATE: [Blank]

4. REVISION: [Blank] DATE: [Blank]

5. REVISION: [Blank] DATE: [Blank]

6. REVISION: [Blank] DATE: [Blank]

7. REVISION: [Blank] DATE: [Blank]

8. REVISION: [Blank] DATE: [Blank]

9. REVISION: [Blank] DATE: [Blank]

10. REVISION: [Blank] DATE: [Blank]

11. REVISION: [Blank] DATE: [Blank]

12. REVISION: [Blank] DATE: [Blank]

Job Number: 20229-05
Reviewed By: LSK/MAC
Date: 2/16/10

MARK: CB3	QTY: 1	WT.: 20,286 kg [9,118 lb]	VOL.: 11.77 m ³ [13.40 cu]
MATERIAL LIST / BEAM			
ITEM	MARK	DESCRIPTION	QTY.
1			
2			
3			
4			
5	MK-P3	DAYTON C24 TYPE 4-APR PRECAST HALF HANGER	15
6			
7			4
8			
9		447mm [3'-1 1/4"] x 787mm [2'-7"] x 8023mm [26'-3 7/8"] BOX VOID	2
10		19mm [3/4"] x 140mm [5 1/2"] NON-FERROUS VOID DRAIN	4
11		TWO 13mm [1/2"] STRAND LIFTING LOOPS	4
12			

J.P. CARRARA & SONS INC.
Precast & Prestress Manufacturer
2464 CASE STR., MOORELAND, VERMONT 05753 Phone: (802)388-6361 Fax: (802)388-9010

KUBRICKY CONST. CORP.
CONTRACTOR
GLENS FALLS, NEW YORK

STATE OF VERMONT A.O.T.
COUNTY OF CHITTENDEN

TOWN OF COLCHESTER - SOUTH BURLINGTON
PROJECT: LIME KILN BRIDGE
TH 4/3 (URBAN MINOR ARTERIAL), BRIDGE NO.6

P/S BOX BEAM DETAILS

DATE: NOV. 14, 2005
SCALE: NOTED
CHKD: - DFTM: T.J.D.
JOB NO: 29229-05
DWG. NO: B3