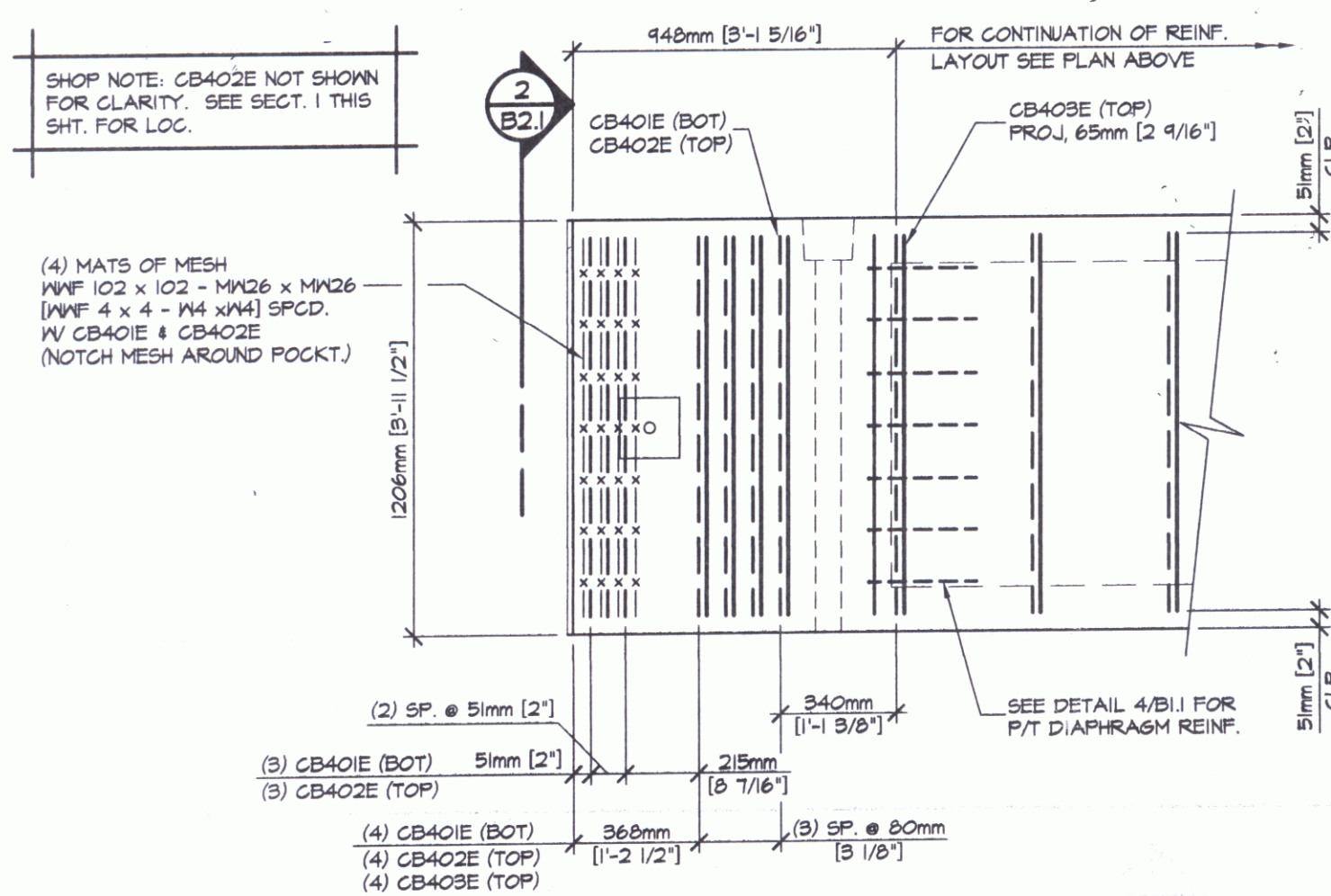
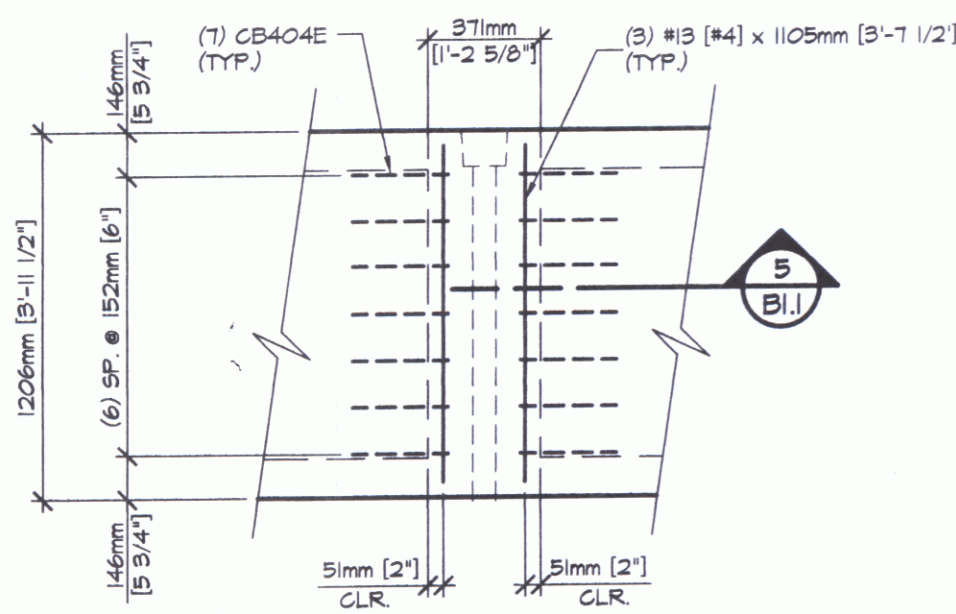


**A REINFORCING PLAN VIEW IN FORM**  
B2.1 1:50

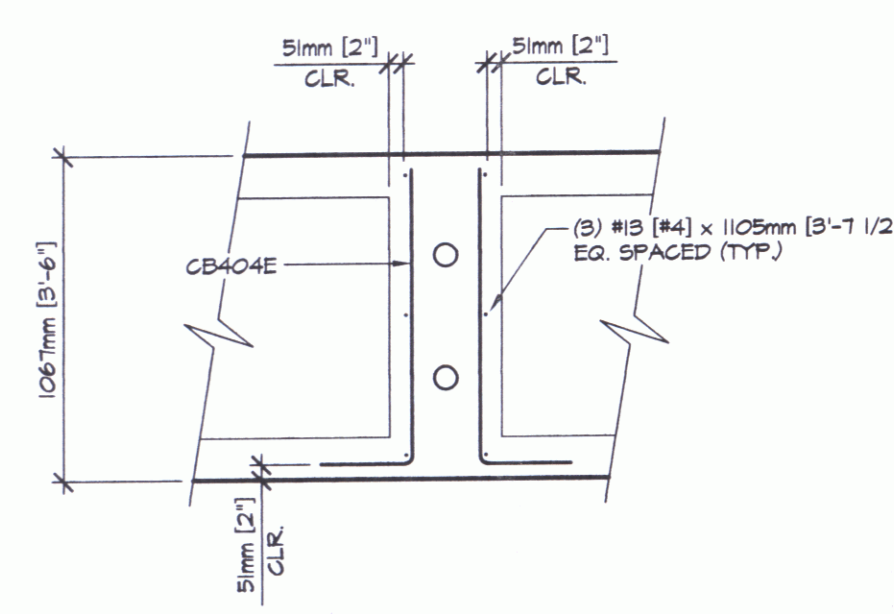
**SHOP NOTE:**  
ADJUST REINFORCING AS REQUIRED  
TO CLEAR SLEEVES, POCKETS, ETC.



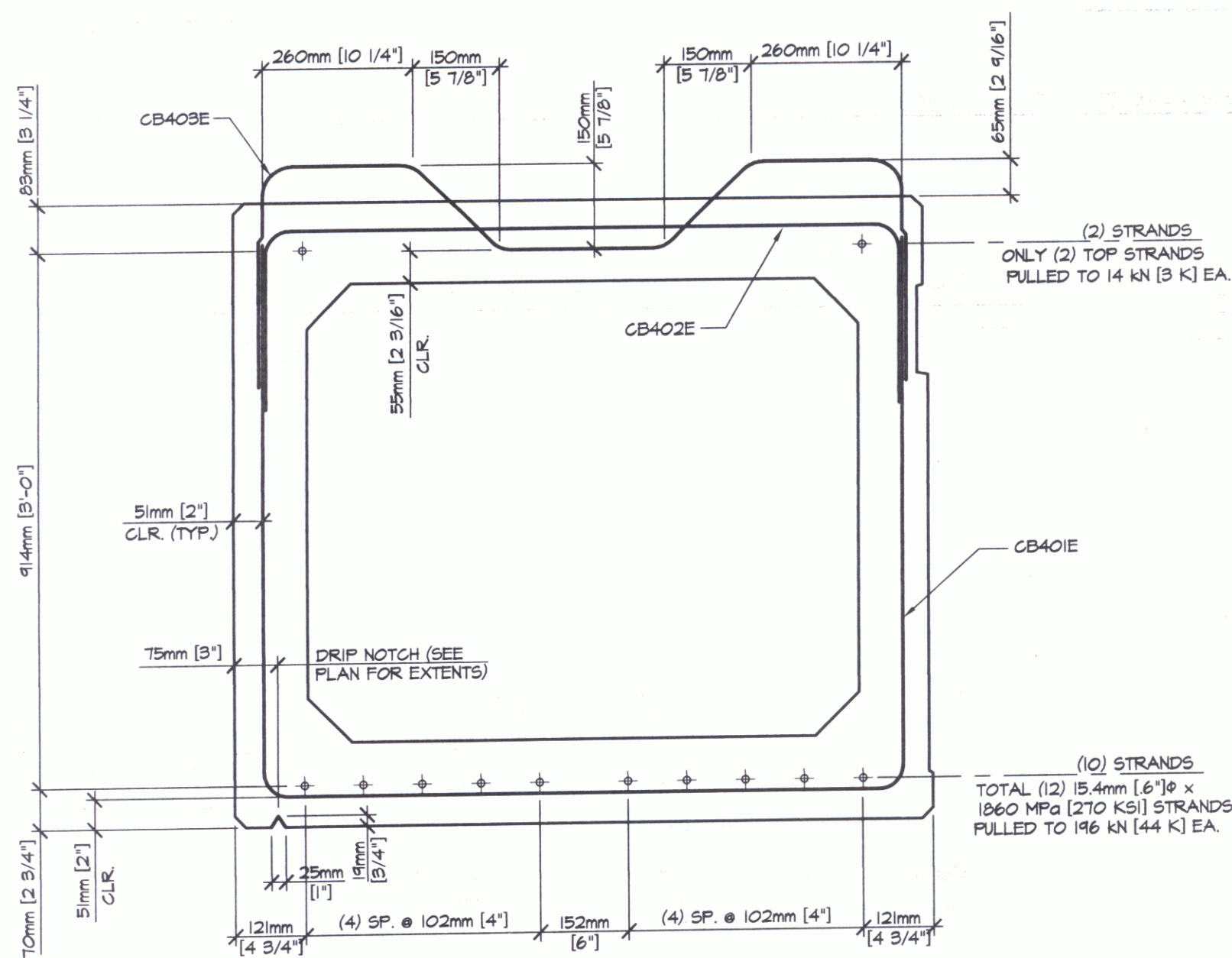
**B END BLOCK REINFORCING PLAN**  
B2.1 1:20



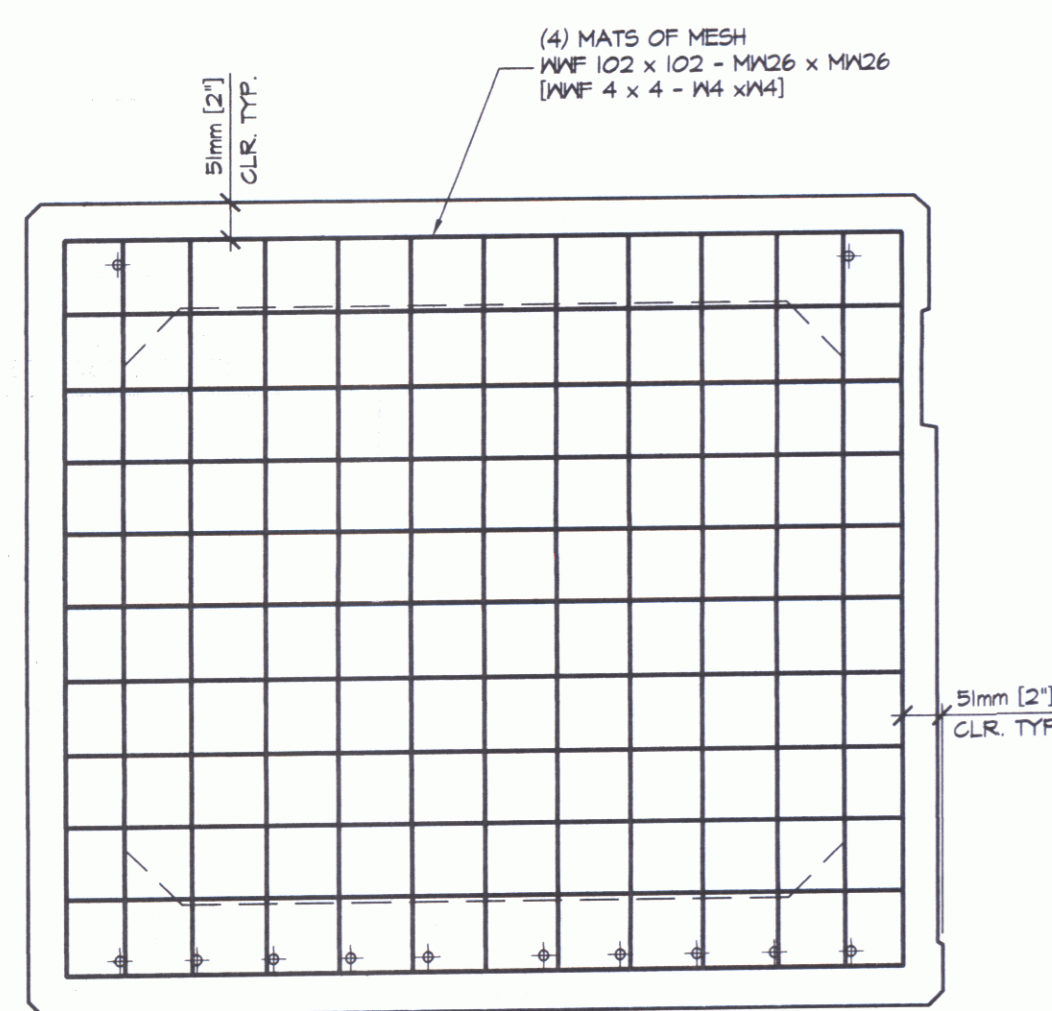
**4 DIAPHRAGM REINF.**  
B2.1 1:25



**5 DIAPHRAGM SECTION**  
B2.1 1:25



**1 REINFORCING SECTION**  
B2.1 1:10



**2 END BLOCK SECTION**  
B2.1 1:10



**DETENSIONING SCHEDULE**  
N.T.S.

MARK: CB2 QTY: 1		MATERIAL LIST / BEAM	
ITEM	MARK	DESCRIPTION	QTY.
1	CB401E	#13 (#4) BENT BAR (EPOXY COATED)	56
2	CB402E	#13 (#4) BENT BAR (EPOXY COATED)	56
3	CB403E	#13 (#4) BENT BAR (EPOXY COATED)	50
4	CB404E	#13 (#4) BENT BAR (EPOXY COATED)	28
5			
6		#13 (#4) x 1105mm [3'-7 1/2"] (EPOXY COATED)	12
7			
8		SHEET SIZE 965mm [3'-2"] x 1105mm [3'-7 1/2"]	8
9		W/WF 102 x 102 - M26 x M26 [WF 4 x 4 - 1/4 x 1/4]	
10			
11			
12			

**SHOP DRAWING REVIEW**

**APPROVAL STAMP:**

REVIEWER HAS REVIEWED THE CONSTRUCTION CONTRACT DOCUMENTS AND APPROVED, BUT ONLY FOR CONFORMANCE TO THE DESIGN CONCEPT OF THE WORK, AND SUBJECT TO FURTHER LIMITATIONS AND REQUIREMENTS CONTAINED IN THE CONSTRUCTION CONTRACT DOCUMENTS.

REJECTED  REVISE AND RESUBMIT  FURNISH AS CORRECTED

CORRECTIONS OR COMMENTS MADE ON THE SHOP DRAWINGS DURING THIS REVIEW DO NOT RELIEVE CONTRACTOR FROM COMPLIANCE WITH REQUIREMENTS OF THE DRAWINGS AND SPECIFICATIONS. THIS CHECK IS ONLY FOR REVIEW OF GENERAL CONFORMANCE WITH THE DESIGN CONCEPT OF THE PROJECT AND GENERAL COMPLIANCE WITH THE INFORMATION GIVEN IN THE CONTRACT DOCUMENTS. THE CONTRACTOR IS RESPONSIBLE FOR CONFIRMING AND CORRECTING ALL QUANTITIES AND DIMENSIONS, SELECTING FABRICATION PROCESSES AND TECHNIQUES OF CONSTRUCTION, COORDINATING HIS WORK WITH THAT OF ALL OTHER TRADES, AND PERFORMING HIS WORK IN A SAFE AND SATISFACTORY MANNER.

**VHB** Vanasse Hangen Brustlin, Inc.  
Engineers, Planners, and Scientists  
One Bedford Farm, Milton Rd.  
Bedford, NH 03110 603 644 0888

Job Number: 50238.05  
Reviewed By: ESB/mtc  
Date: 2/6/06

**J.P. CARRARA & SONS INC.**  
Precast & Prestress Manufacturer  
2464 CASE STR., WOODBURY, VERMONT 05753 Phone: (802)388-6361 Fax: (802)388-8010

**KUBRICKY CONST. CORP.**  
CONTRACTOR  
GLENS FALLS, NEW YORK

**STATE OF VERMONT A.O.T.**  
COUNTY OF CHITTENDEN

**TOWN OF COLCHESTER - SOUTH BURLINGTON**  
PROJECT: LIME KILN BRIDGE  
TH 4/3 (URBAN MINOR ARTERIAL), BRIDGE NO. 6

**F/S BOX BEAM REINF. DETAILS**

DATE: NOV. 14, 2005  
SCALE: NOTED  
CHKD: - DFTM: T.J.D.  
JOB NO: 23229-05  
DWG. NO: B2.1