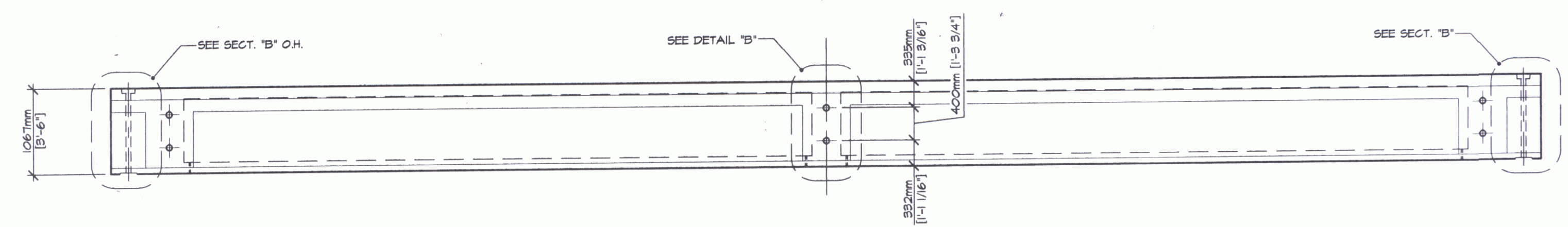
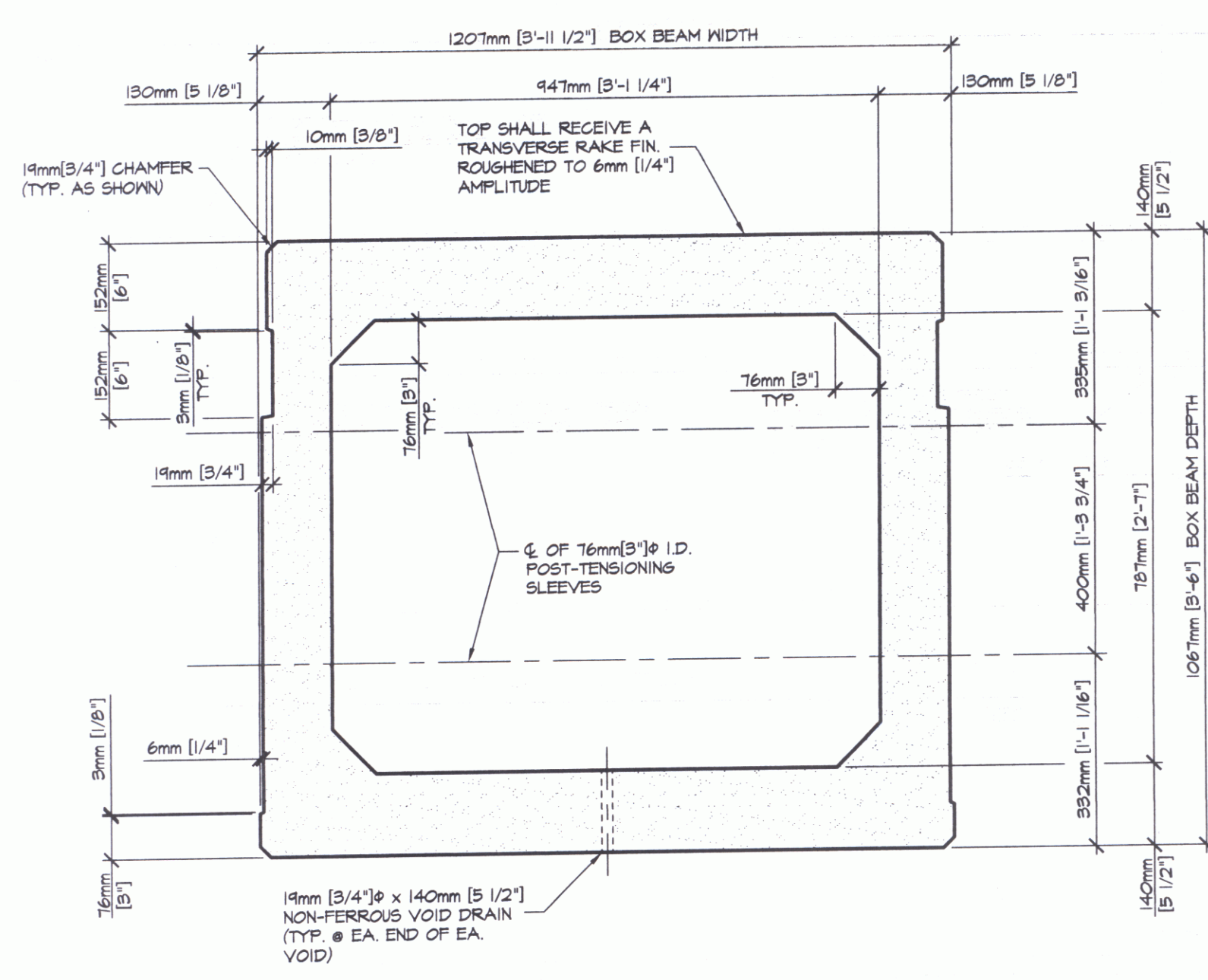


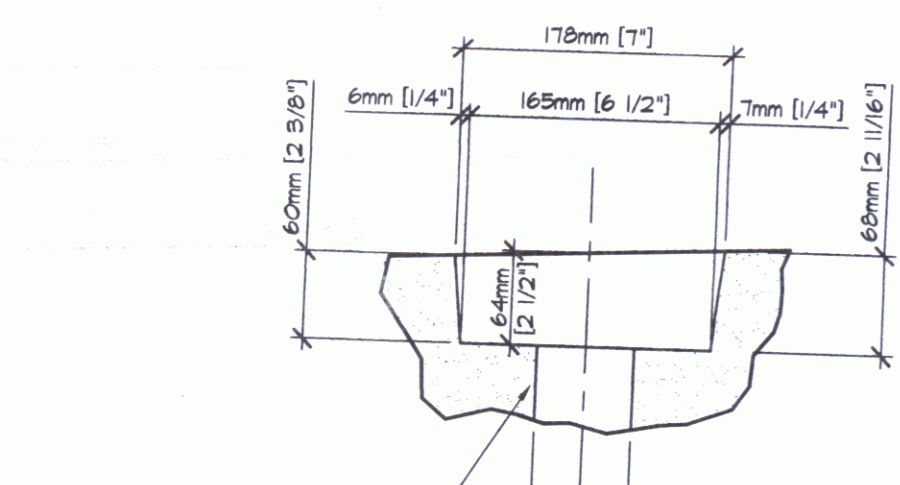
1 DIMENSIONAL PLAN VIEW IN FORM
1:50



2 DIMENSIONAL ELEVATION VIEW IN FORM
1:50

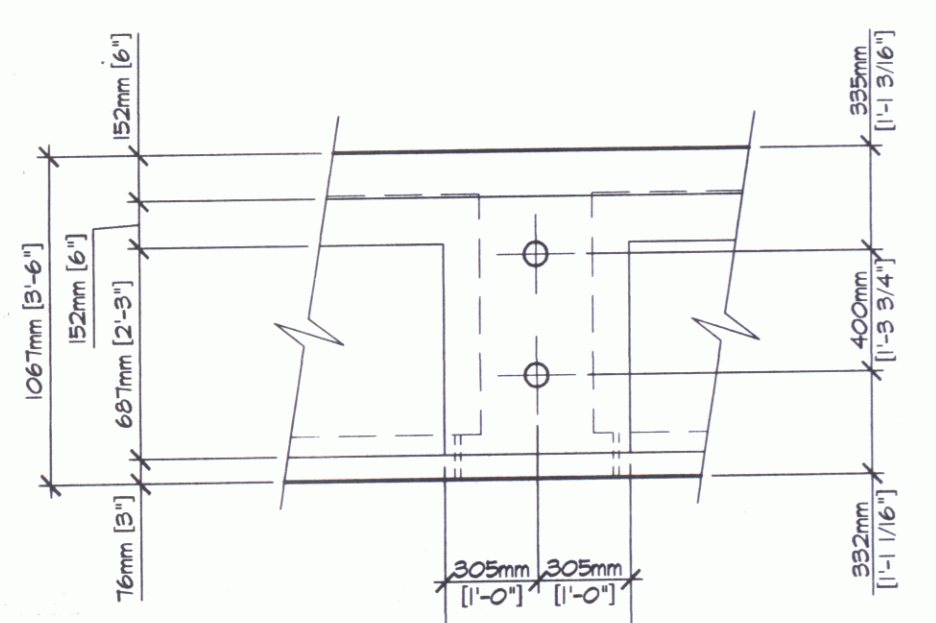


A DIMENSIONAL SECTION
B1 1:10

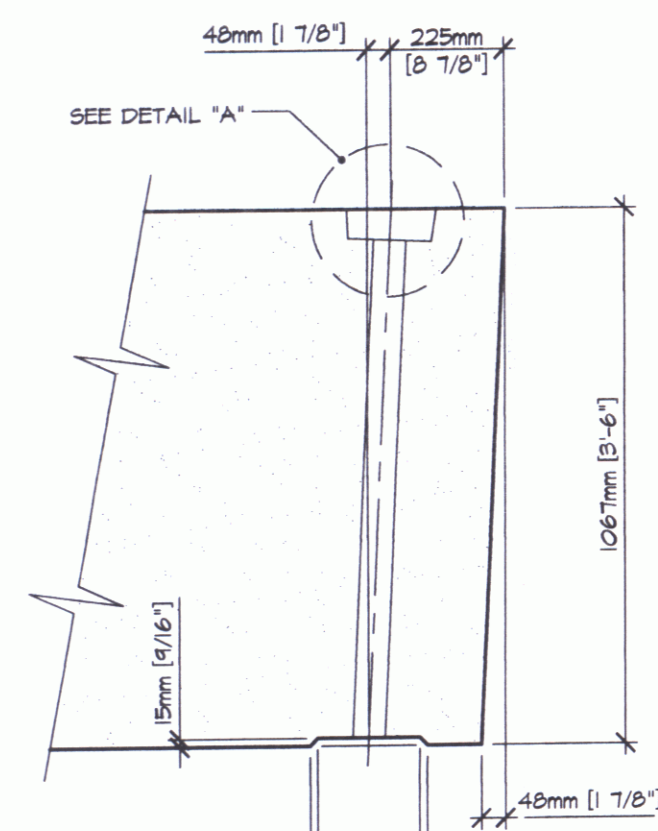


DETAIL - "A"
1:5

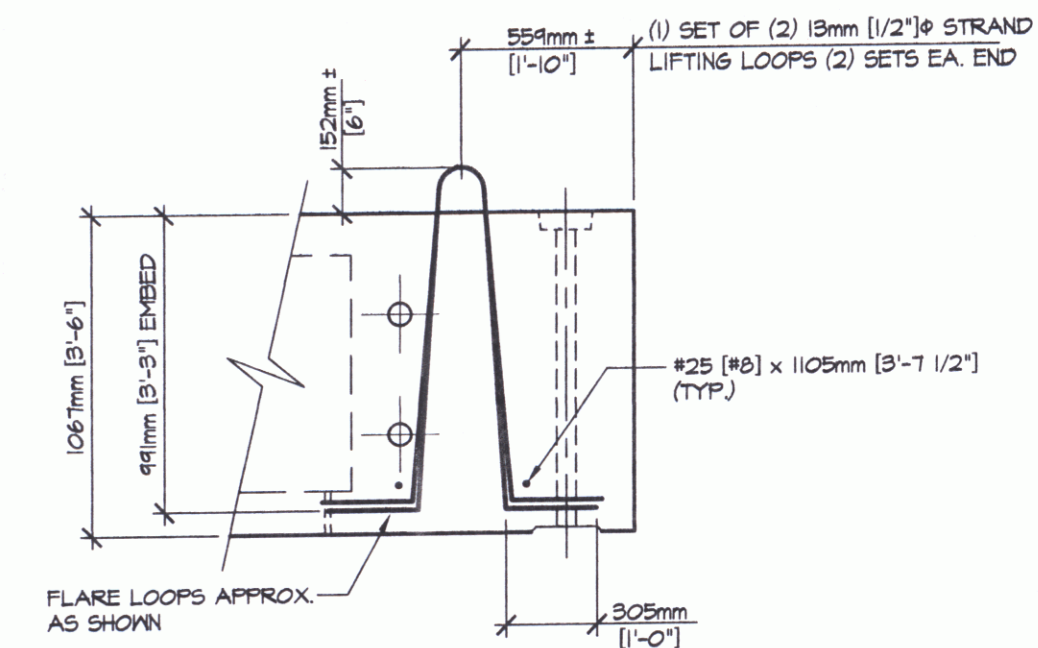
SHOP NOTE: SLEEVE TO BE REMOVED AFTER BEAM IS FABRICATED



DETAIL - "B"
1:25



SECTION - "B"
1:15



LIFTING LOOP DETAIL
1:25

MARK:	QTY:	WT.:	VOL.:
CBI	8	20,286 kg [31.8 T]	11.77 m ³ [15.40 cy]
MATERIAL LIST / BEAM			
ITEM	MARK	DESCRIPTION	QTY.
1			
2			
3			
4			
5			
6			
7	#25 (#8)	1105mm [3'-7 1/2"] EPOXY COATED	4
8			
9	947mm [3'-1 1/4"] x 787mm [2'-7"] x 8023mm [26'-3 7/8"]	BOX VOID	2
10	19mm [3/4"] x 140mm [5 1/2"]	NON-FERROUS VOID DRAIN	4
11	Two 13mm [1/2"]	STRAND LIFTING LOOPS	4
12			

SHOP DRAWING REVIEW APPROVAL STAMP:

REVIEWED AS REQUIRED BY THE CONSTRUCTION CONTRACT DOCUMENTS AND APPROVED, BUT ONLY FOR CONFORMANCE TO THE DESIGN CONCEPT OF THE WORK, AND SUBJECT TO FURTHER LIMITATIONS AND REQUIREMENTS CONTAINED IN THE CONSTRUCTION CONTRACT DOCUMENTS.

REJECTED REVISE AND RESUBMIT FURNISH AS CORRECTED

CORRECTIONS OR COMMENTS MADE ON THE SHOP DRAWINGS DURING THIS REVIEW DO NOT RELIEVE CONTRACTOR FROM COMPLIANCE WITH REQUIREMENTS OF THE DRAWINGS AND SPECIFICATIONS. THIS CHECK IS ONLY FOR REVIEW OF GENERAL CONFORMANCE WITH THE DESIGN CONCEPT OF THE PROJECT AND GENERAL COMPLIANCE WITH THE INFORMATION GIVEN IN THE CONTRACT DOCUMENTS. THE CONTRACTOR IS RESPONSIBLE FOR CONFIRMING AND CORRECTING ALL QUANTITIES AND DIMENSIONS; SELECTING FABRICATION PROCESSES AND TECHNIQUES OF CONSTRUCTION; COORDINATING HIS WORK WITH THAT OF ALL OTHER TRADES; AND PERFORMING HIS WORK IN A SAFE AND SATISFACTORY MANNER.

VHB Vanasse Hangen Brustlin, Inc.
Engineers, Planners, and Scientists
Six Bedford Farms, Kilton Rd.
Bedford, NH 03110 603 844 0888

Job Number: 57755-48
Reviewed By: LSL/MAC
Date: 2/1/04

J.P. CARRARA & SONS INC.
Precast & Prestress Manufacturer
2464 OASE STR., WOODBURY, VERMONT 05753 Phone: (802)388-6361 Fax: (802)388-9010

KUBRICKY CONST. CORP.
CONTRACTOR
GLENS FALLS, NEW YORK

STATE OF VERMONT A.O.T.
COUNTY OF CHITTENDEN

TOWN OF COLCHESTER - SOUTH BURLINGTON
PROJECT: LIME KILN BRIDGE
TH 4/3 (URBAN MINOR ARTERIAL), BRIDGE NO.6

F/S BOX BEAM DETAILS

DATE: NOV. 14, 2005
SCALE: NOTED
CHKD: - DFTM:T.J.D.
JOB NO: 23229-05
DWG. NO: B1