

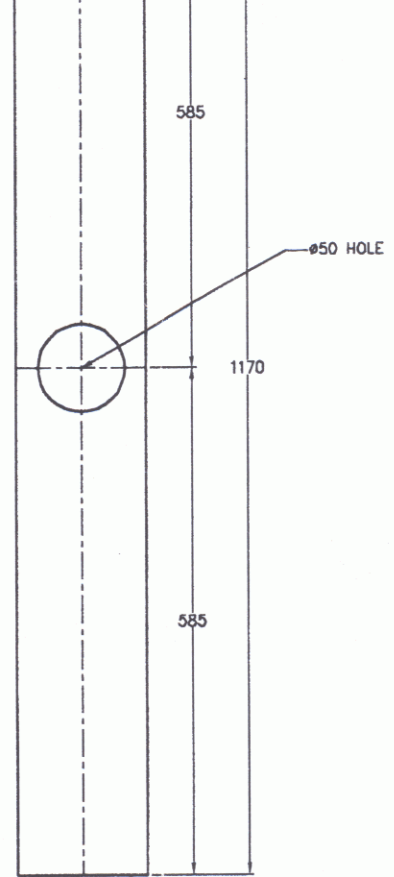
PLAN VIEW  
TWO 6 LAYERS OF 60±5  
DURO GR. 3 NEOPRENE.



SIX 11 GA. X 174 X 244  
ASTM 1011 GR. 275 CARBON  
STEEL SHIMS

FIVE 11.85 LAYERS OF 60±5  
DURO GR. 3 NEOPRENE.

ELEVATION  
MK. 01, 80 REQUIRED



PLAN VIEW



45 X 150 X 1170 60±5  
DURO GR. 3 NEOPRENE  
PAD W/Ø50 HOLE

ELEVATION  
MK. 02, 120 REQUIRED