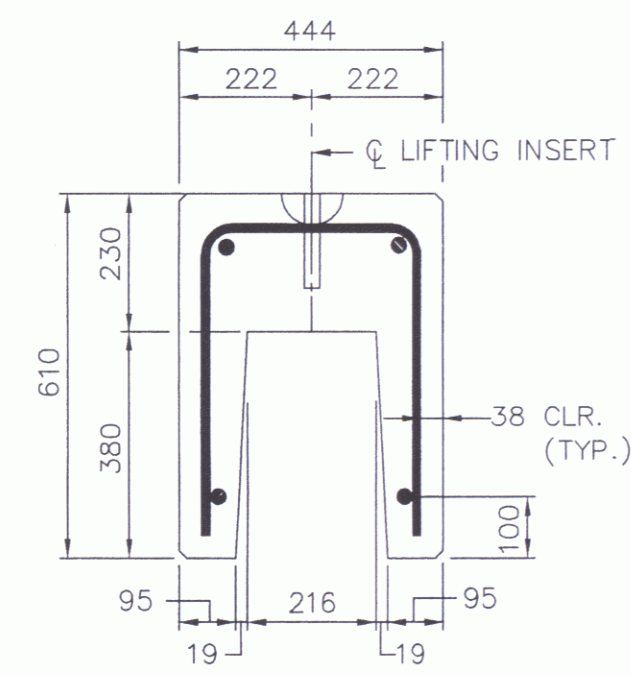
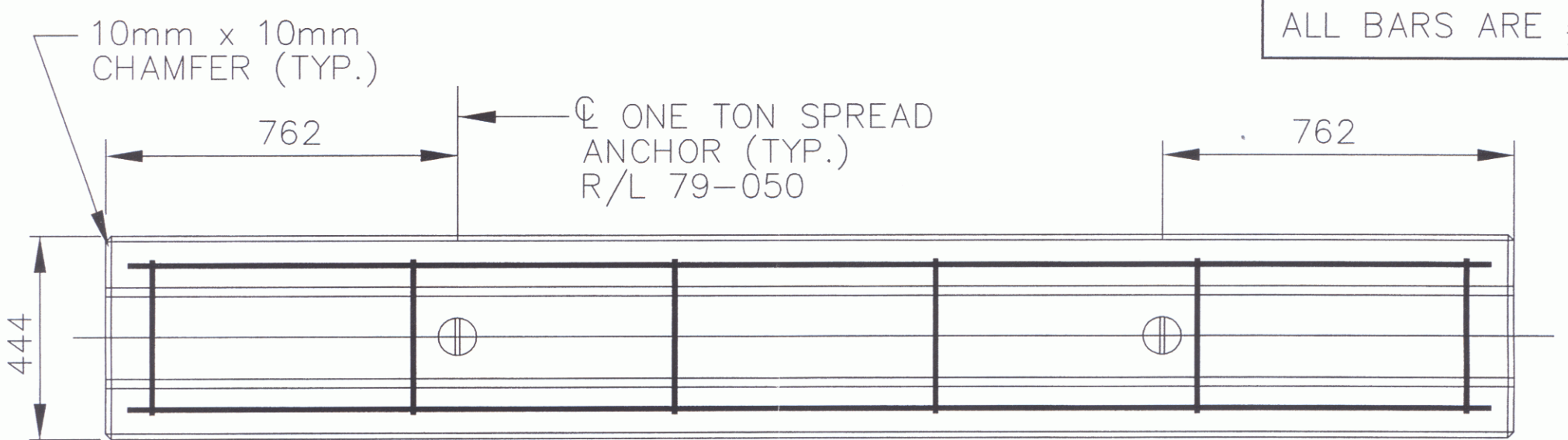


SIDE VIEW



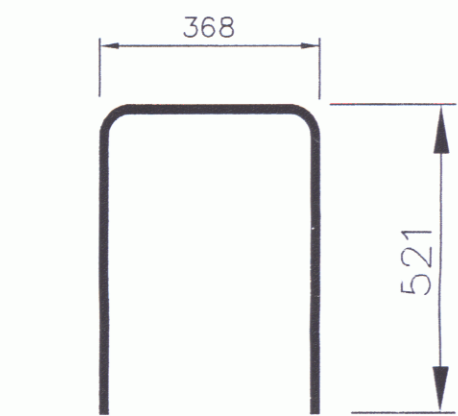
SECTION A-A



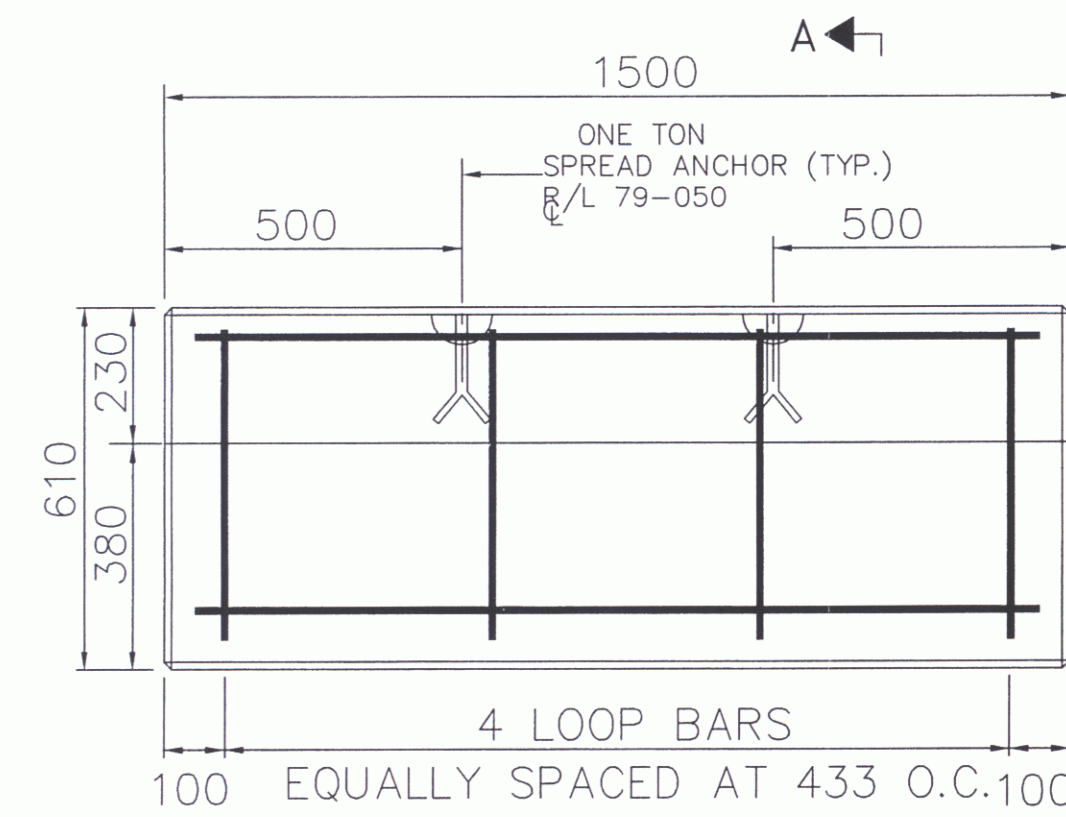
TOP VIEW

PRECAST COPING "CPW1"

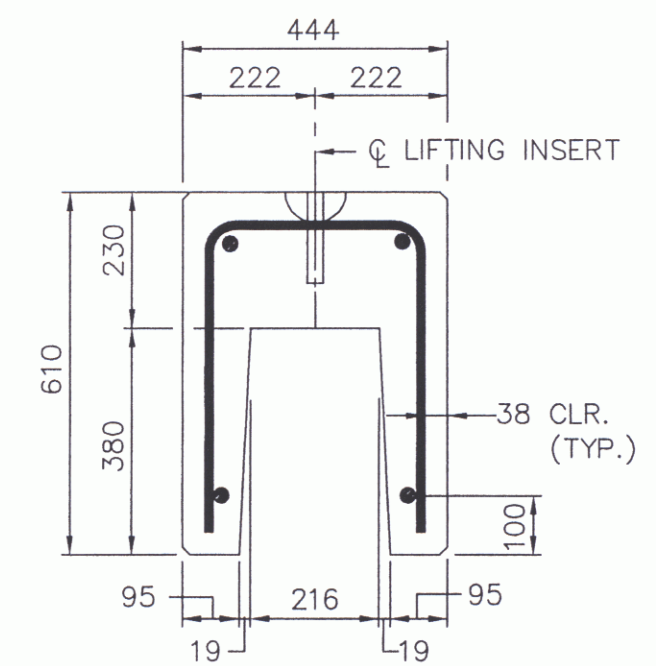
NOTE:
ALL BARS ARE #13M



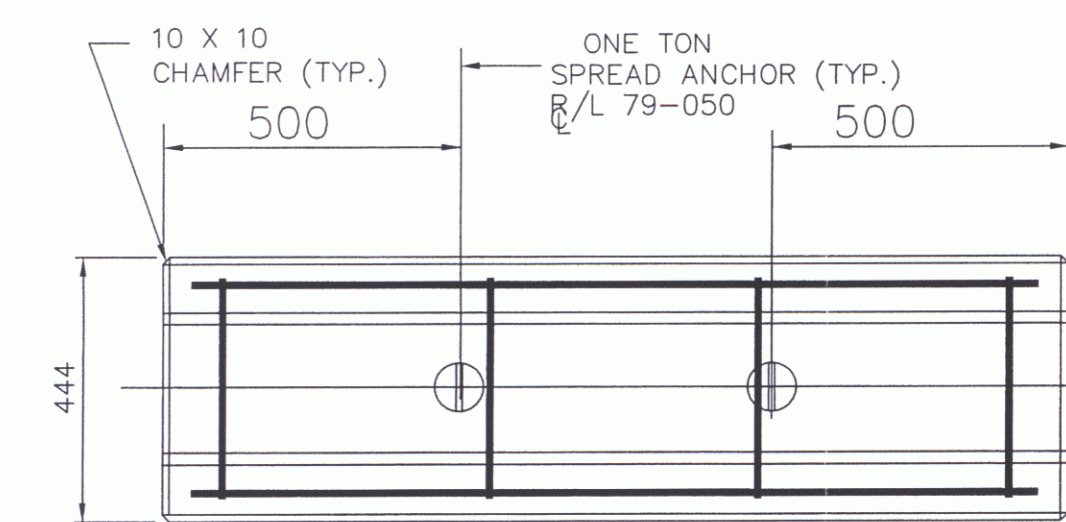
LOOP BAR



SIDE VIEW
FRONT FACE

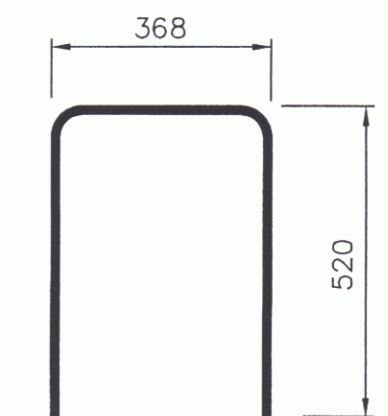


SECTION A-A



TOP VIEW

CPW2 (2000)



LOOP BAR

NOTE: SPECIAL WIDE THROAT COPING FOR ARCHITECTURAL PANELS

SHOP DRAWING REVIEW

REVIEWED AS REQUIRED BY THE CONSTRUCTION CONTRACT DOCUMENTS AND APPROVED, BUT ONLY FOR CONFORMANCE TO THE DESIGN CONCEPT OF THE WORK, AND SUBJECT TO FURTHER LIMITATIONS AND REQUIREMENTS CONTAINED IN THE CONSTRUCTION CONTRACT DOCUMENTS.

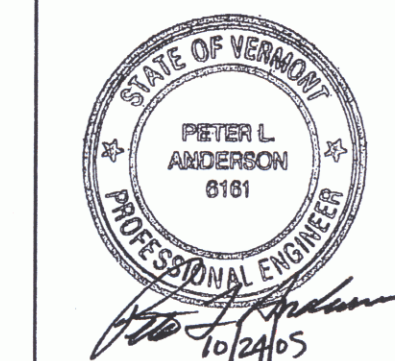
REJECTED REVISE AND RESUBMIT FURNISH AS CORRECTED

CORRECTIONS OR COMMENTS MADE ON THE SHOP DRAWINGS DURING THIS REVIEW DO NOT RELIEVE CONTRACTOR FROM COMPLIANCE WITH REQUIREMENTS OF THE DRAWINGS AND SPECIFICATIONS. THIS CHECK IS ONLY FOR REVIEW OF GENERAL CONFORMANCE WITH THE DESIGN CONCEPT OF THE PROJECT AND GENERAL COMPLIANCE WITH THE INFORMATION GIVEN IN THE CONTRACT DOCUMENTS. THE CONTRACTOR IS RESPONSIBLE FOR CONFIRMING AND CORRELATING ALL QUANTITIES AND DIMENSIONS, SELECTING FABRICATION PROCESSES AND TECHNIQUES OF CONSTRUCTION, COORDINATING HIS WORK WITH THAT OF ALL OTHER TRADES, AND PERFORMING HIS WORK IN A SAFE AND SATISFACTORY MANNER.

VHB Yvanisse Hanger Bruslin, Inc.
Engineers, Planners, and Scientists
Six Bedford Farms, Kilboon Rd.
Bedford, NH 03110 803 844 0880

Job Number: 58735
Reviewed By: L.S.B./MAC
Date: 10/31/05

CERTIFIED WITH RESPECT TO THE INTERNAL STABILITY OF REINFORCED EARTH STRUCTURES ONLY



VT AOT PROJ. NO. BRM 5600(6)S C/2

C:\PROJ\NE\11746\FINAL\SHOPS\11746_S07.DWG

This drawing contains information proprietary to The Reinforced Earth Company, and is being furnished for the use of VT AOT only in connection with this project, and the information contained herein is not to be transmitted to any other organization unless specifically authorized in writing by The Reinforced Earth Company. The Reinforced Earth Company is exclusive licensee in the United States under patents issued to Henri Vidal, and the furnishing of this drawing does not constitute an expressed or implied license under the Vidal patents.

The design contained on these drawings is based on information provided by the owner. On the basis of this information, The Reinforced Earth Company has designed, and is responsible for the internal stability of the structure only. External stability, including foundation and slope stability, is the responsibility of the owner.



"REINFORCED EARTH" is the registered trademark of The Reinforced Earth Company.

DESIGNED BY: JMKC				PROJECT NAME	TH 4/3 LIME KILN BRIDGE	DATE	9/7/2005
PROJECT ENGR: JMKC				LOCATION	COLCHESTER CHITTENDEN COUNTY, VT	CONTRACT NO.	RE-11746
CHECKED BY: KPB				OWNER	VT AOT	DRAWING NO.	S7 OF S7
ENG. MANAGER	REV.	DATE	DESCRIPTION	DRAWING COVERS	STANDARD PRECAST COPING	SCALE	AS SHOWN