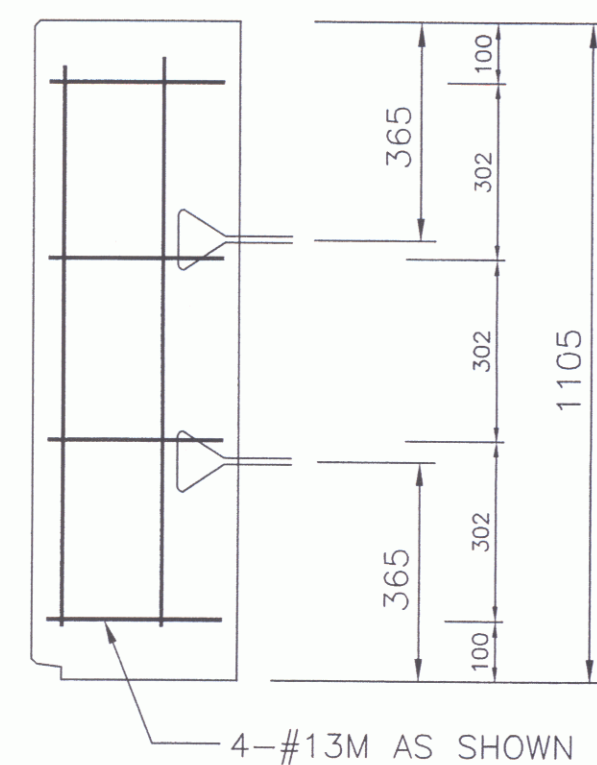
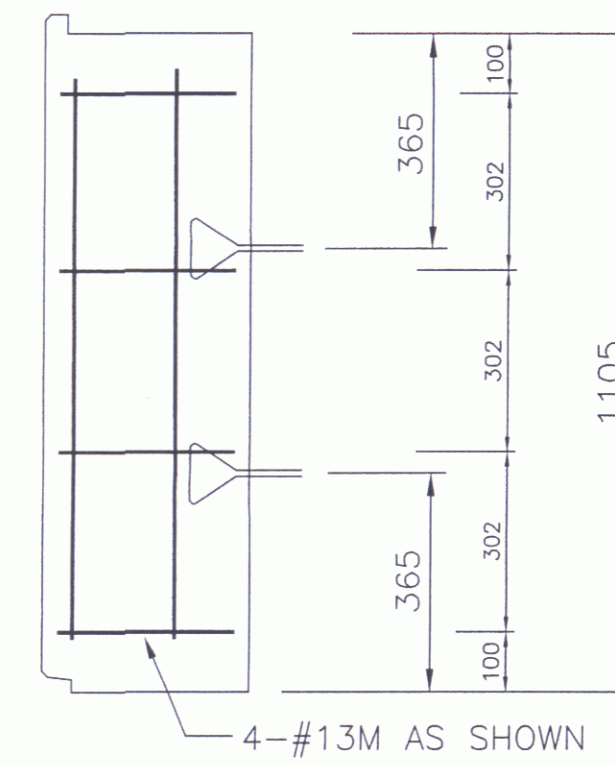


CE2A-2-R4



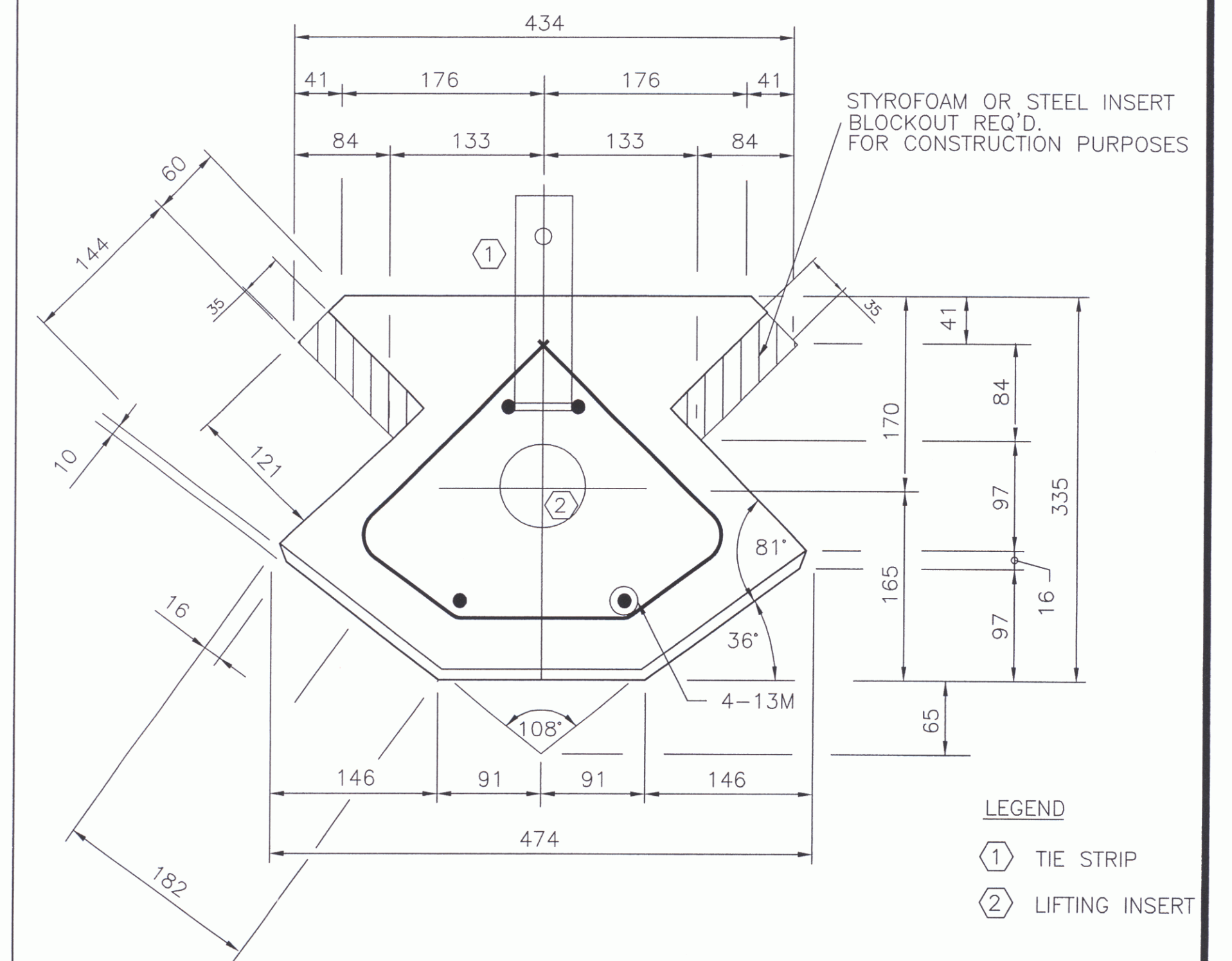
CE2F-2-R4



CE2Q-2-R4

CORNER ELEMENT TYPICAL SECTIONS

SCALE: 1"=1'-0"



CORNER ELEMENT TYPE 2 90°± - 118°±

SCALE: 1:5

SHOP DRAWING REVIEW

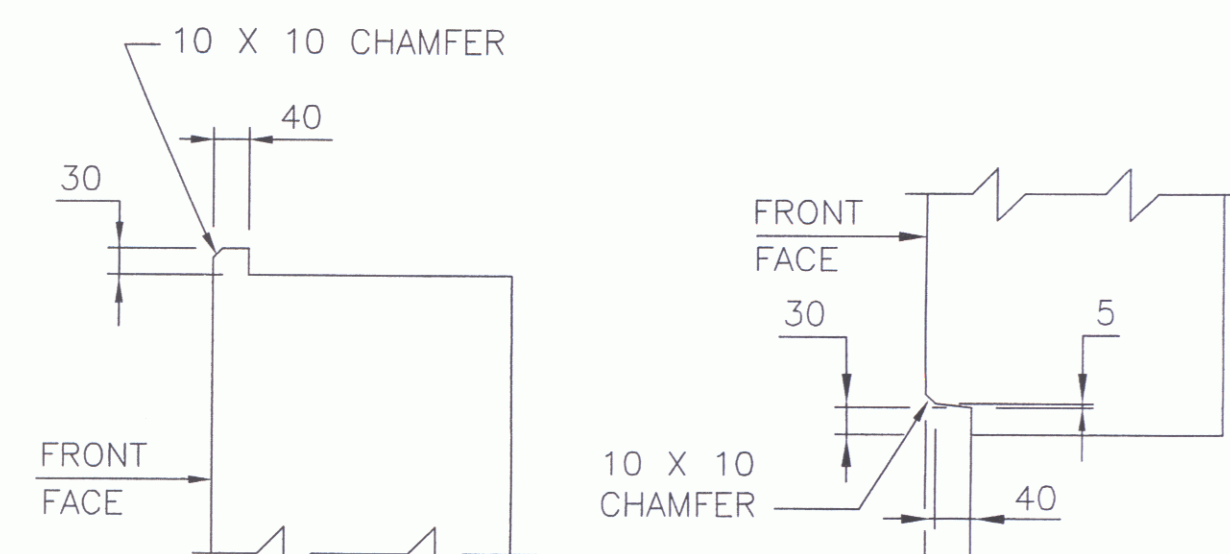
REVIEWED AS REQUIRED BY THE CONSTRUCTION CONTRACT DOCUMENTS AND APPROVED, BUT ONLY FOR CONFORMANCE TO THE DESIGN CONCEPT OF THE WORK, AND SUBJECT TO FURTHER LIMITATIONS AND REQUIREMENTS CONTAINED IN THE CONSTRUCTION CONTRACT DOCUMENTS.

REJECTED REVISE AND RESUBMIT FURNISH AS CORRECTED

CORRECTIONS OR COMMENTS MADE ON THE SHOP DRAWINGS DURING THIS REVIEW DO NOT RELIEVE CONTRACTOR FROM COMPLIANCE WITH REQUIREMENTS OF THE DRAWINGS AND SPECIFICATIONS. THIS CHECK IS ONLY FOR REVIEW OF GENERAL CONFORMANCE WITH THE DESIGN CONCEPT OF THE PROJECT AND GENERAL COMPLIANCE WITH THE INFORMATION GIVEN IN THE CONTRACT DOCUMENTS. THE CONTRACTOR IS RESPONSIBLE FOR: CONFIRMING AND CORRELATING ALL QUANTITIES AND DIMENSIONS; SELECTING FABRICATION PROCESSES AND TECHNIQUES OF CONSTRUCTION; COORDINATING HIS WORK WITH THAT OF ALL OTHER TRADES; AND PERFORMING HIS WORK IN A SAFE AND SATISFACTORY MANNER.

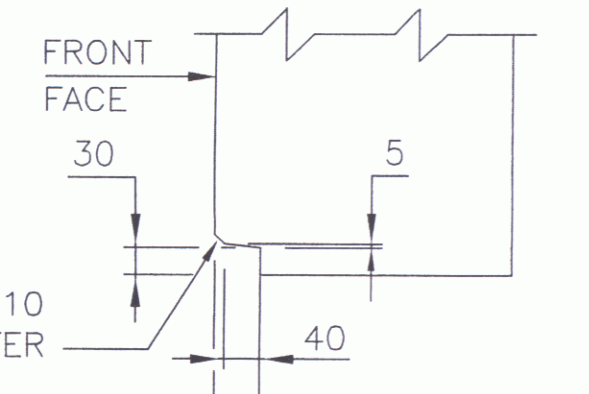
VHB Vanasse Hangen Brustlin, Inc.
Engineers, Planners, and Scientists
Six Bedford Farms, Kilton Rd.
Bedford, NH 03110-0002 603.884.0000

Job Number: 52755
Reviewed By: LSL/MAC
Date: 10/31/05



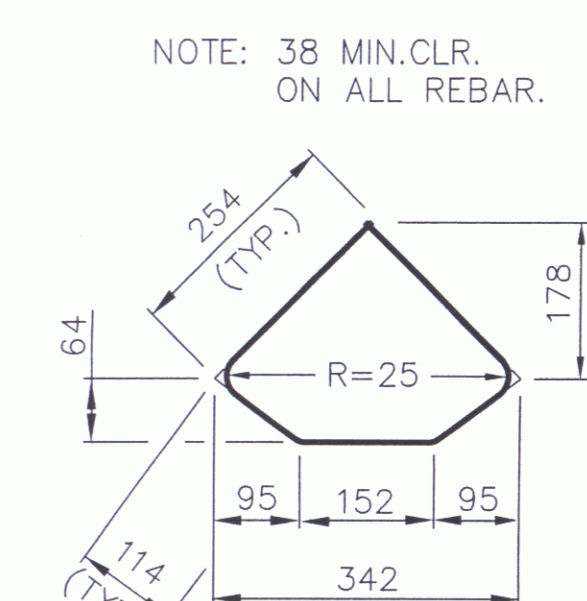
DETAIL "A"

SCALE: 1:20



DETAIL "B"

SCALE: 1:20



BAR DETAIL

SCALE: 1:20

(DIMENSIONS SHOWN ARE OUT TO OUT)

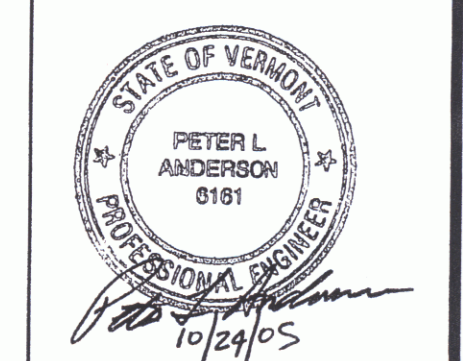
KEY TO PIECE MARK

CE2A-2-R6

- PANEL REINFORCEMENT
- NO. OF TIE STRIPS
- PANEL HEIGHT
- TYPE
- CORNER ELEMENT

VT AOT PROJ. NO. BRM 5600(6)S C/2

CERTIFIED WITH RESPECT TO THE INTERNAL STABILITY OF REINFORCED EARTH STRUCTURES ONLY



C:\PROJ\NEV\11746\FINAL\SHOPS\11746_S06.DWG

This drawing contains information proprietary to The Reinforced Earth Company, and is being furnished for the use of VT AOT only in connection with this project, and the information contained herein is not to be transmitted to any other organization unless specifically authorized in writing by The Reinforced Earth Company. The Reinforced Earth Company is exclusive licensee in the United States under patents issued to Henri Vidal, and the furnishing of this drawing does not constitute an expressed or implied license under the Vidal patents.

The design contained on these drawings is based on information provided by the owner. On the basis of this information, The Reinforced Earth Company has designed, and is responsible for the internal stability of the structure only. External stability, including foundation and slope stability, is the responsibility of the owner.

The Reinforced Earth Company
8614 Westwood Center Drive Suite 1100, Vienna, Virginia 22182 (703) 821-1175

"REINFORCED EARTH" is the registered trademark of The Reinforced Earth Company.

| | | | | | | | | | | | | | | |
|-----------------------|------------------------|--------------------|--------------|------|------|-------------|----------------|---|---|-----------------|------------------|-----------------------|-------------------------|-------------------|
| DESIGNED BY: JM KC | PROJECT ENGR: JM KC | CHECKED BY: KPB | ENG. MANAGER | REV. | DATE | DESCRIPTION | DRAWING COVERS | PROJECT NAME TH 4/3 LIME KILN BRIDGE | LOCATION COLCHESTER CHITTENDEN COUNTY, VT | OWNER VT AOT | DATE 9/7/2005 | CONTRACT NO. 11746 | DRAWING NO. S6 OF S7 | SCALE AS SHOWN |
|-----------------------|------------------------|--------------------|--------------|------|------|-------------|----------------|---|---|-----------------|------------------|-----------------------|-------------------------|-------------------|