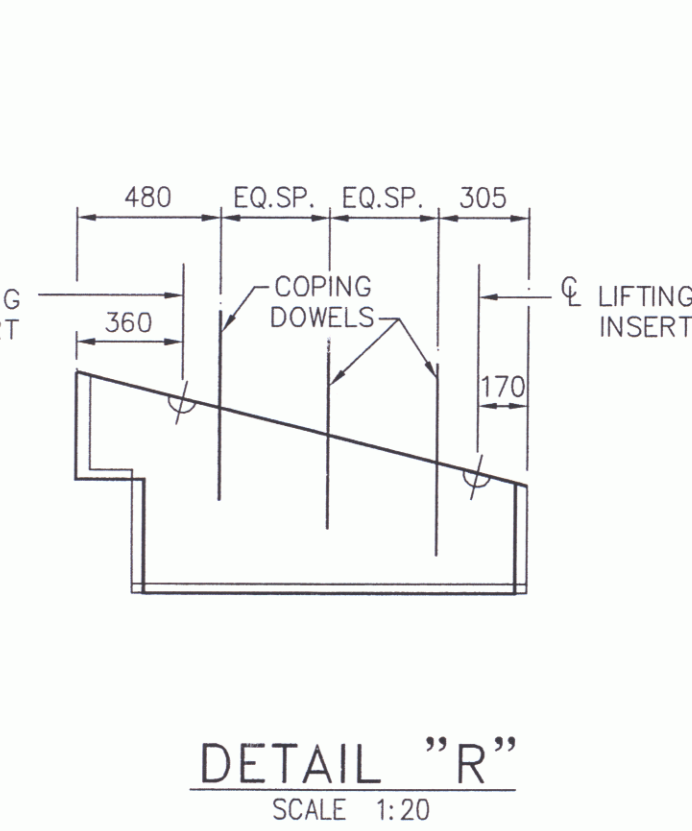
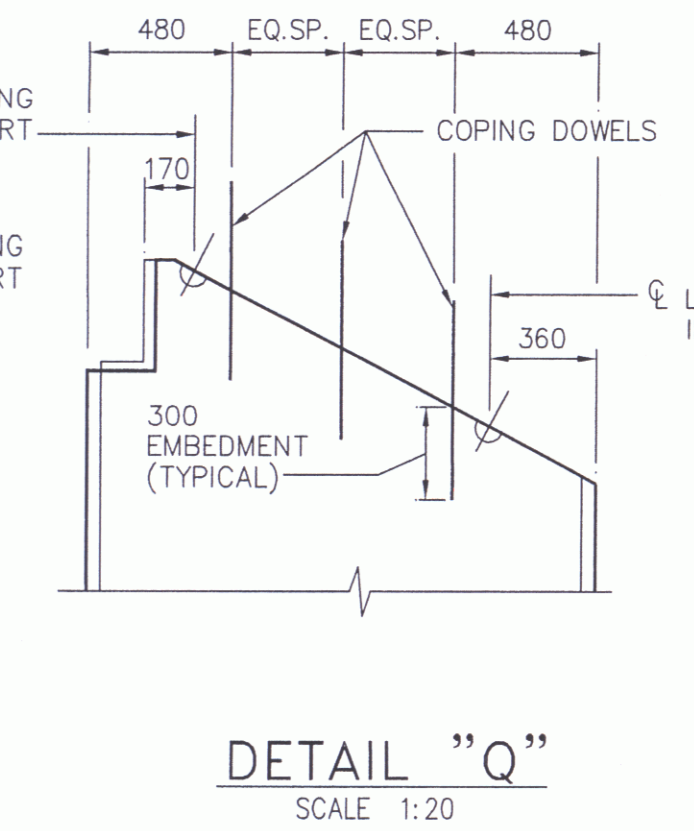
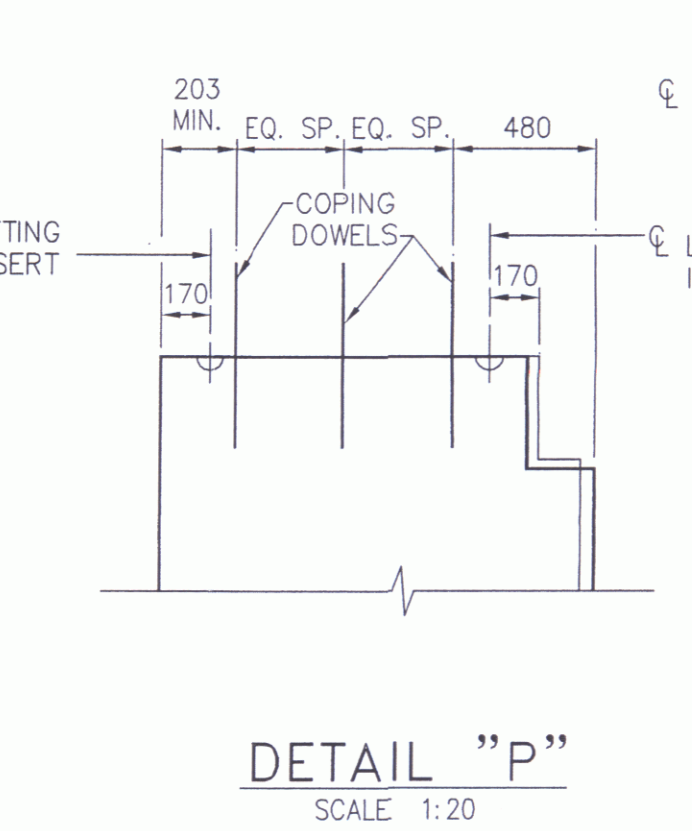
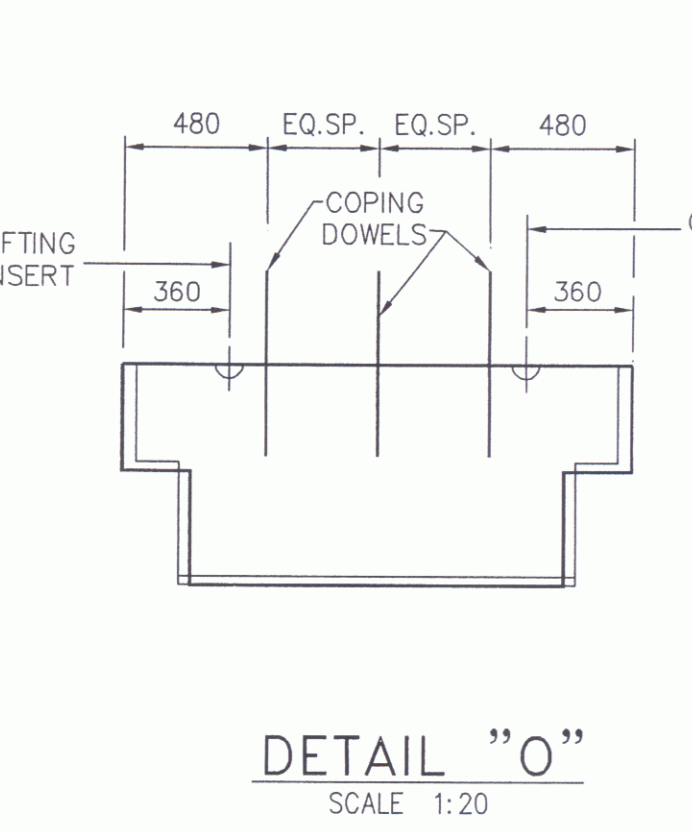
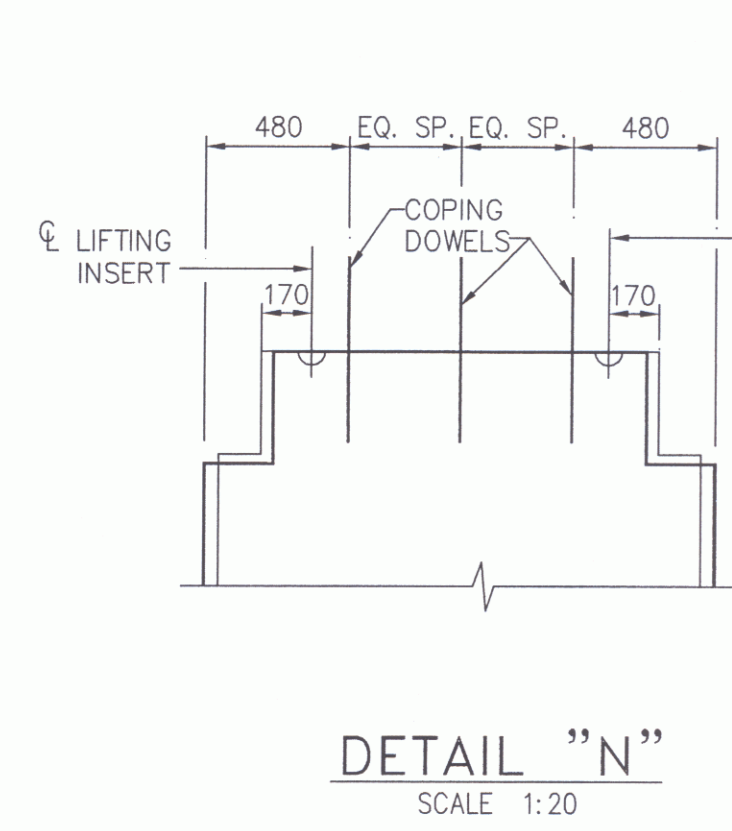


NOTES:  
ASHLAR STONE FINISH  
NOT SHOWN FOR CLARITY



**SHOP DRAWING REVIEW**

REVIEWED AS REQUIRED BY THE CONSTRUCTION CONTRACT DOCUMENTS AND APPROVED, BUT ONLY FOR CONFORMANCE TO THE DESIGN CONCEPT OF THE WORK, AND SUBJECT TO FURTHER LIMITATIONS AND REQUIREMENTS CONTAINED IN THE CONSTRUCTION CONTRACT DOCUMENTS.

REJECTED  REVISE AND RESUBMIT  FURNISH AS CORRECTED

CORRECTIONS OR COMMENTS MADE ON THE SHOP DRAWINGS DURING THIS REVIEW DO NOT RELIEVE CONTRACTOR FROM COMPLIANCE WITH REQUIREMENTS OF THE DRAWINGS AND SPECIFICATIONS. THIS CHECK IS ONLY FOR REVIEW OF GENERAL CONFORMANCE WITH THE DESIGN CONCEPT OF THE PROJECT AND GENERAL COMPLIANCE WITH THE INFORMATION GIVEN IN THE CONTRACT DOCUMENTS. THE CONTRACTOR IS RESPONSIBLE FOR CONFIRMING AND CORRELATING ALL QUANTITIES AND DIMENSIONS, SELECTING FABRICATION PROCESSES AND TECHNIQUES OF CONSTRUCTION, COORDINATING HIS WORK WITH THAT OF ALL OTHER TRADES, AND PERFORMING HIS WORK IN A SAFE AND SATISFACTORY MANNER.

**VHB** Vanessa Hagen Brustlin, Inc.  
Engineers, Planners, and Scientists  
60 Bedford Farms, Epsom Rd.  
Bedford, NH 03110 603 864 0888

Job Number: 52735  
Reviewed By: ESE/JMA/c  
Date: 10/31/05

ALL DIMENSIONS ARE IN MILLIMETERS  
UNLESS OTHERWISE NOTED

CERTIFIED WITH RESPECT TO THE INTERNAL STABILITY OF REINFORCED EARTH STRUCTURES ONLY

STATE OF VERMONT  
PETER L. ANDERSON  
6161  
PROFESSIONAL ENGINEER  
10/21/05

VT AOT PROJ. NO. BRM 5600(6)S C/2

C:\PROJECTS\11746\FINAL\SHOPS\11746\_S03.DWG

This drawing contains information proprietary to The Reinforced Earth Company, and is being furnished for the use of VT AOT only in connection with this project, and the information contained herein is not to be transmitted to any other organization unless specifically authorized in writing by The Reinforced Earth Company. The Reinforced Earth Company is exclusive licensee in the United States under patents issued to Henri Vidal, and the furnishing of this drawing does not constitute an expressed or implied license under the Vidal patents.

The design contained on these drawings is based on information provided by the owner. On the basis of this information, The Reinforced Earth Company has designed, and is responsible for the internal stability of the structure only. External stability, including foundation and slope stability, is the responsibility of the owner.

**The Reinforced Earth Company**  
8614 Westwood Center Drive Suite 1100, Vienna, Virginia 22182 (703) 821-1175

"REINFORCED EARTH" is the registered trademark of The Reinforced Earth Company.

DESIGNED BY: JMKC	PROJECT ENGR: KPB	CHECKED BY: KPB	ENG. MANAGER	REV.	DATE	DESCRIPTION	DRAWING COVERS	PROJECT NAME TH 4/3 LIME KILN BRIDGE	LOCATION COLCHESTER CHITTENDEN COUNTY, VT	OWNER VT AOT	DATE 9/7/2005	CONTRACT NO. RE-11746	DRAWING NO. S3 OF S7	SCALE AS SHOWN
----------------------	----------------------	--------------------	--------------	------	------	-------------	----------------	---	---	-----------------	------------------	--------------------------	-------------------------	-------------------