

The Reinforced Earth Company

133 PARK STREET, NORTH READING, MASSACHUSETTS 01864 (978) 664-2830

PRECAST PANEL SHOP DRAWINGS

PANEL GENERAL NOTES

- REINFORCING BARS SHALL BE STEEL ASTM A615 GRADE 60. (AASHTO M31) AND BE EPOXY COATED DEFORMED BAR.
- TIE STRIPS SHALL BE STEEL ASTM A1011 (FORMERLY A570) GRADE 50 (GALVANIZED PER ASTM A-123/ AASHTO M-111).
- ALL FRONT EDGES OF PANELS, EXCEPT THE BOTTOM EDGE OF THE BOTTOM PANEL COURSE, SHALL HAVE A 10mm CHAMFER.
- TIE STRIPS SHALL BE PLACED WITHIN 25mm OF THE DIMENSIONS SHOWN ON THE FABRICATION DRAWINGS.
- PANEL DESIGN THICKNESS IS 140mm. THE 28 DAY COMPRESSIVE STRENGTH OF CONCRETE SHALL BE 27.6 MPa (4000 psi) AND BE IN ACCORDANCE WITH THE SPECIAL PROVISIONS FOR ITEM 526A - MECHANICALLY STABILIZED EARTH WALL.
- DIMENSIONS SPECIFIED ON INDIVIDUAL FABRICATION DRAWINGS SUPERCEDE THOSE CALLED OUT ON THE STANDARD SECTIONS AND DETAILS.
- VERTICAL REINFORCING BARS SHALL BE PLACED 38mm MIN. - 50mm (TYP.) CLEAR FROM THE BACK FACE OF THE 140mm PANEL.
- ALL REINFORCING BARS SHALL BE STOPPED 50mm MIN. CLEAR FROM ANY EDGE OF PANEL UNLESS NOTED ON INDIVIDUAL FABRICATION DRAWING OR AS INDICATED IN NOTE #9.
- IN ALL SLOPED PANELS THE TWO (2) VERTICAL REINFORCING BARS ADJACENT TO A COMMON TIE STRIP SHALL BE OF THE SAME LENGTH.
- ALL INDIVIDUAL FABRICATION DRAWINGS ARE SHOWN BACK FACE.
- PRECAST FACING PANELS FOR R.E WALLS SHALL HAVE AN ASHLAR STONE FORM LINER FINISH. RECO FORMLINER IS BASED ON SYMONS F/C 30664. CONCRETE COLOR SHALL BE LIGHT GRAY.
CORNER ELEMENTS AND COPING UNITS SHALL HAVE A PLAIN STEEL FORM FINISH FOR ALL WALLS ON THIS PROJECT. CONCRETE SHALL BE LIGHT GRAY IN COLOR.

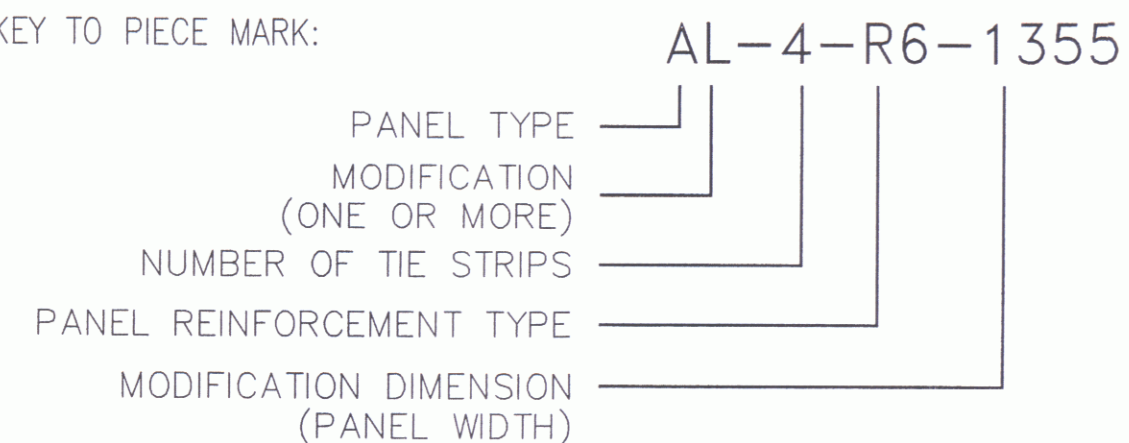
12. REINFORCING BARS IN A STANDARD "A" PANEL SHALL BE AS FOLLOWS:

PANEL REINFORCEMENT

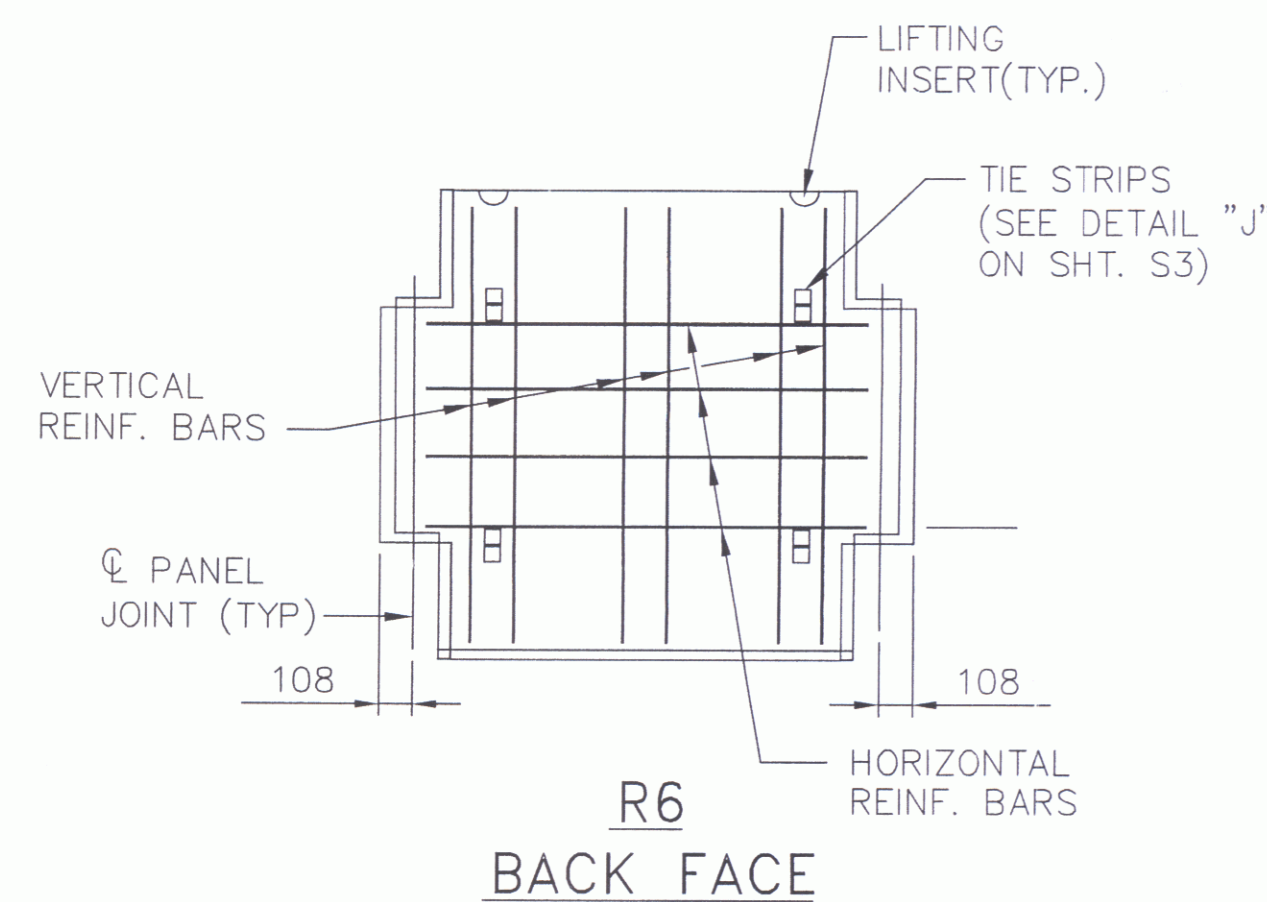
PIECE MARK	HORIZONTAL BARS	VERTICAL BARS
XX-XX-R6	4- 13M (#4)	6-10M (#3)
XX-XX-R7	4- 19M (#6)	6-13M (#4)

HORIZONTAL REINFORCEMENT IN THE OTHER PANEL TYPES IS PROPORTIONAL TO THEIR RELATIVE HEIGHT.

13. KEY TO PIECE MARK:



14. KEY TO PANELS:



SHOP DRAWING REVIEW

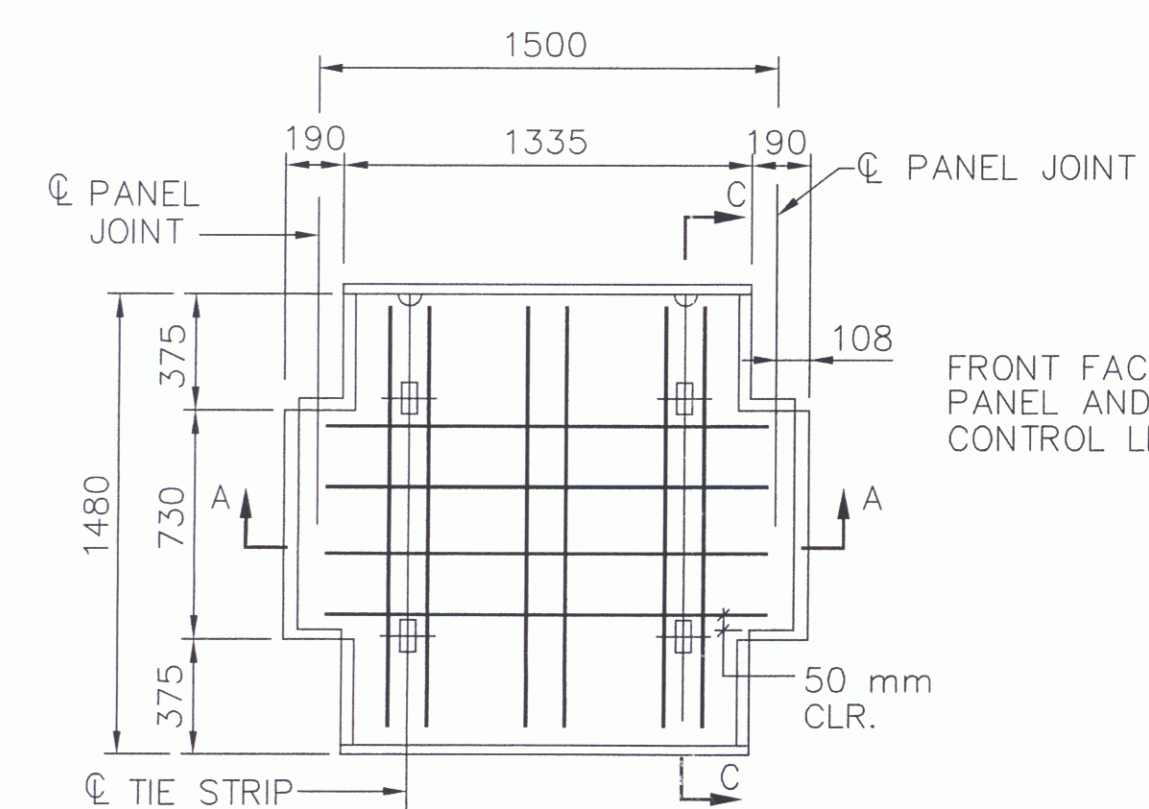
REVIEWED AS REQUIRED BY THE CONSTRUCTION CONTRACT DOCUMENTS AND APPROVED, BUT ONLY FOR CONFORMANCE TO THE DESIGN CONCEPT OF THE WORK, AND SUBJECT TO FURTHER LIMITATIONS AND REQUIREMENTS CONTAINED IN THE CONSTRUCTION CONTRACT DOCUMENTS.

REJECTED REVISE AND RESUBMIT FURNISH AS CORRECTED

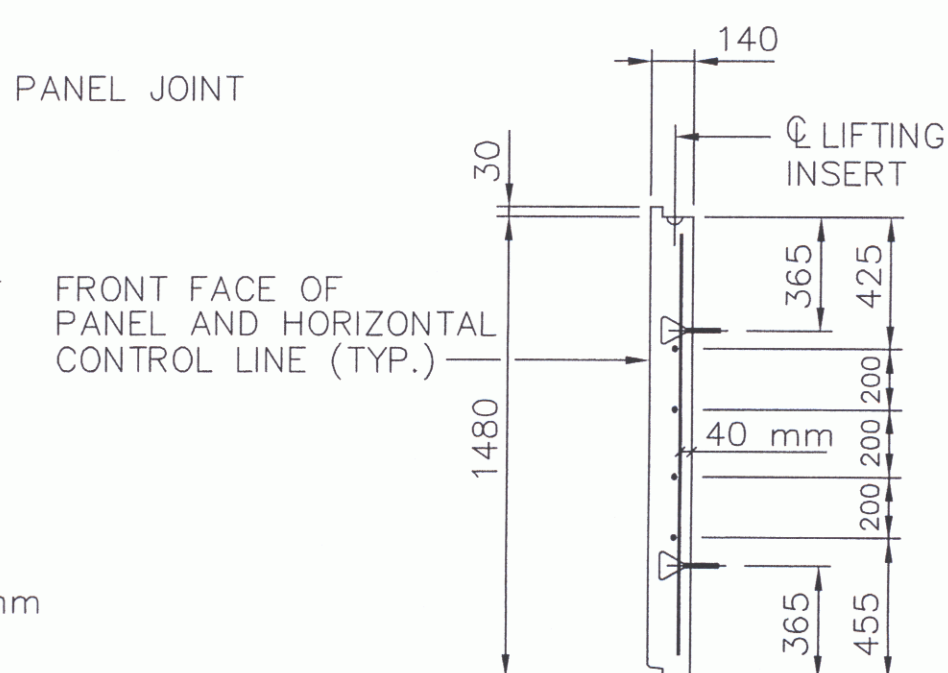
CORRECTIONS OR COMMENTS MADE ON THE SHOP DRAWINGS DURING THIS REVIEW DO NOT RELIEVE CONTRACTOR FROM COMPLIANCE WITH REQUIREMENTS OF THE DRAWINGS AND SPECIFICATIONS. THIS CHECK IS ONLY FOR REVIEW OF GENERAL CONFORMANCE WITH THE DESIGN CONCEPT OF THE PROJECT AND GENERAL COMPLIANCE WITH THE INFORMATION GIVEN IN THE CONTRACT DOCUMENTS. THE CONTRACTOR IS RESPONSIBLE FOR CORRECTING AND CORRELATING ALL QUANTITIES AND DIMENSIONS; SELECTING FABRICATION PROCESSES AND TECHNIQUES OF CONSTRUCTION; COORDINATING HIS WORK WITH THAT OF ALL OTHER TRADES; AND PERFORMING HIS WORK IN A SAFE AND SATISFACTORY MANNER.

VHB Vanasse Hangen Brustlin, Inc.
Engineers, Planners, and Scientists
Six Bedford Farm, 6000 Rd.
Bedford, NH 03110 603 844 0080

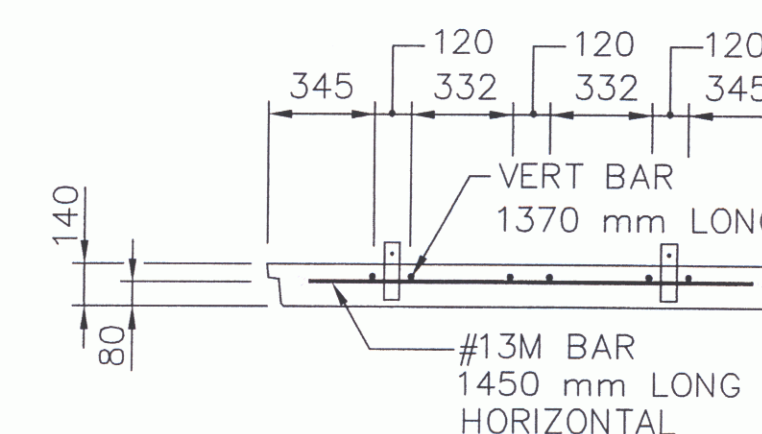
Job Number: 58755
Reviewed By: J.S. Hec
Date: 10/31/05



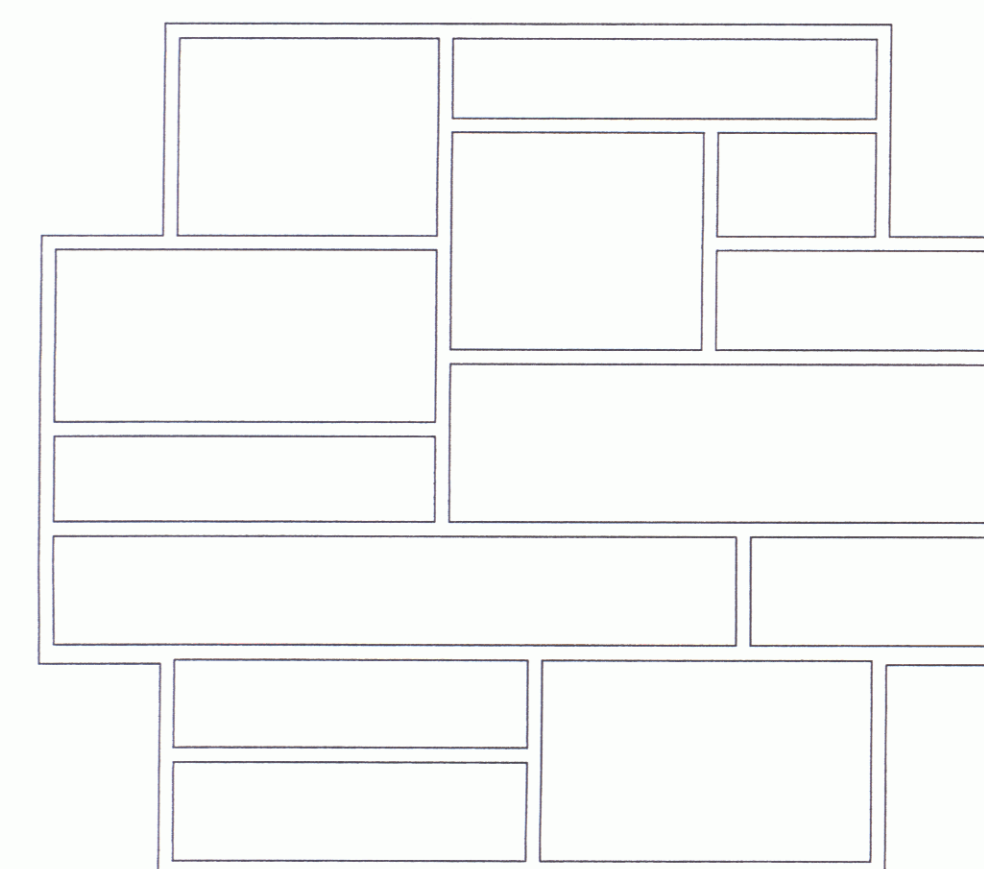
PANEL TYPE "A"
WITH R6 REINFORCEMENT
BACK FACE VIEW
SCALE 1:20



SECTION C-C
SCALE 1:20



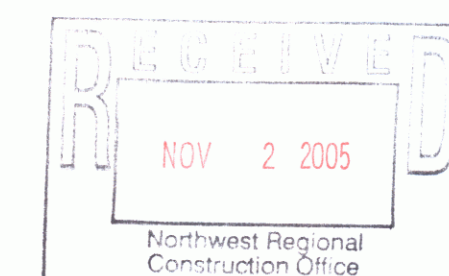
SECTION A-A
SCALE 1:20



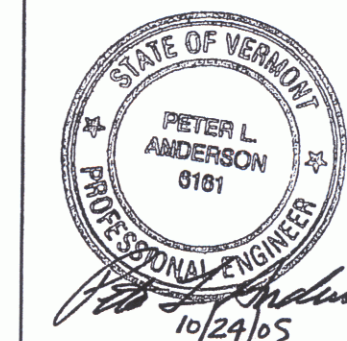
ASHLAR STONE PANEL FINISH

(LOOKING AT PANEL FACE)

ALL DIMENSIONS ARE IN (mm) MILLIMETERS



CERTIFIED WITH RESPECT TO THE INTERNAL STABILITY OF REINFORCED EARTH STRUCTURES ONLY

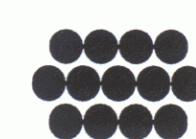


VT AOT PROJ. NO. BRM 5600(6)S C/2

C:\PROJ\NE11746\FINAL\SHOP\11746.S01.DWG

This drawing contains information proprietary to The Reinforced Earth Company, and is being furnished for the use of VT AOT only in connection with this project, and the information contained herein is not to be transmitted to any other organization unless specifically authorized in writing by The Reinforced Earth Company. The Reinforced Earth Company is exclusive licensee in the United States under patents issued to Henri Vidal, and the furnishing of this drawing does not constitute an expressed or implied license under the Vidal patents.

The design contained on these drawings is based on information provided by the owner. On the basis of this information, The Reinforced Earth Company has designed, and is responsible for the internal stability of the structure only. External stability, including foundation and slope stability, is the responsibility of the owner.



The Reinforced Earth Company

8614 Westwood Center Drive Suite 1100, Vienna, Virginia 22182 (703) 821-1175

"REINFORCED EARTH" is the registered trademark of The Reinforced Earth Company.

DESIGNED BY:	JMKC	PROJECT NAME:	TH 4/3 LIME KILN BRIDGE	DATE:	9/7/2005
PROJECT ENGR:	JMKC	LOCATION:	COLCHESTER CHITTENDEN COUNTY, VT	CONTRACT NO.:	11746
CHECKED BY:	KPB	OWNER:	VT AOT	DRAWING NO.:	S1 OF S7
ENG. MANAGER:	REV.	DRAWING COVERS:	GENERAL NOTES	SCALE:	AS SHOWN
	DATE	DESCRIPTION			