

UNDERDRAIN DETAIL
SCALE: 1:10

NOTE:
ALL DIMENSIONS IN MILLIMETERS (mm) UNLESS NOTED OTHERWISE

SHOP DRAWING REVIEW

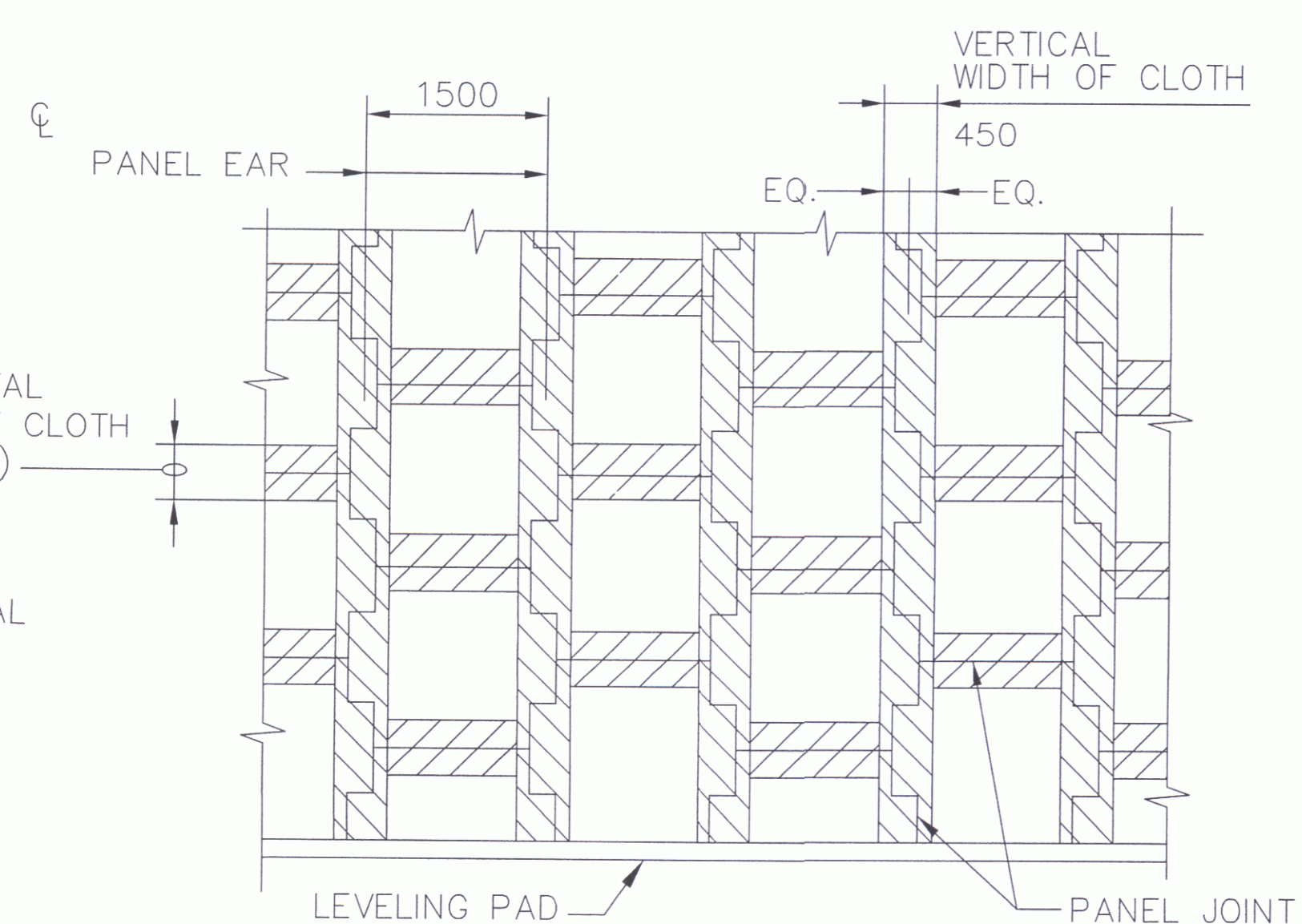
REVIEWED AS REQUIRED BY THE CONSTRUCTION CONTRACT DOCUMENTS AND APPROVED, BUT ONLY FOR CONFORMANCE TO THE DESIGN CONCEPT OF THE WORK, AND SUBJECT TO FURTHER LIMITATIONS AND REQUIREMENTS CONTAINED IN THE CONSTRUCTION CONTRACT DOCUMENTS.

REJECTED REVISE AND RESUBMIT FURNISH AS CORRECTED

CORRECTIONS OR COMMENTS MADE ON THE SHOP DRAWINGS DURING THIS REVIEW DO NOT RELIEVE CONTRACTOR FROM COMPLIANCE WITH REQUIREMENTS OF THE DRAWINGS AND SPECIFICATIONS. THIS CHECK IS ONLY FOR REVIEW OF GENERAL CONFORMANCE WITH THE DESIGN CONCEPT OF THE PROJECT AND GENERAL COMPLIANCE WITH THE INFORMATION GIVEN IN THE CONTRACT DOCUMENTS. THE CONTRACTOR IS RESPONSIBLE FOR CORRECTING AND CORRELATING ALL QUANTITIES AND DIMENSIONS; SELECTING FABRICATION PROCESSES AND TECHNIQUES OF CONSTRUCTION; COORDINATING HIS WORK WITH THAT OF ALL OTHER TRADES; AND PERFORMING HIS WORK IN A SAFE AND SATISFACTORY MANNER.

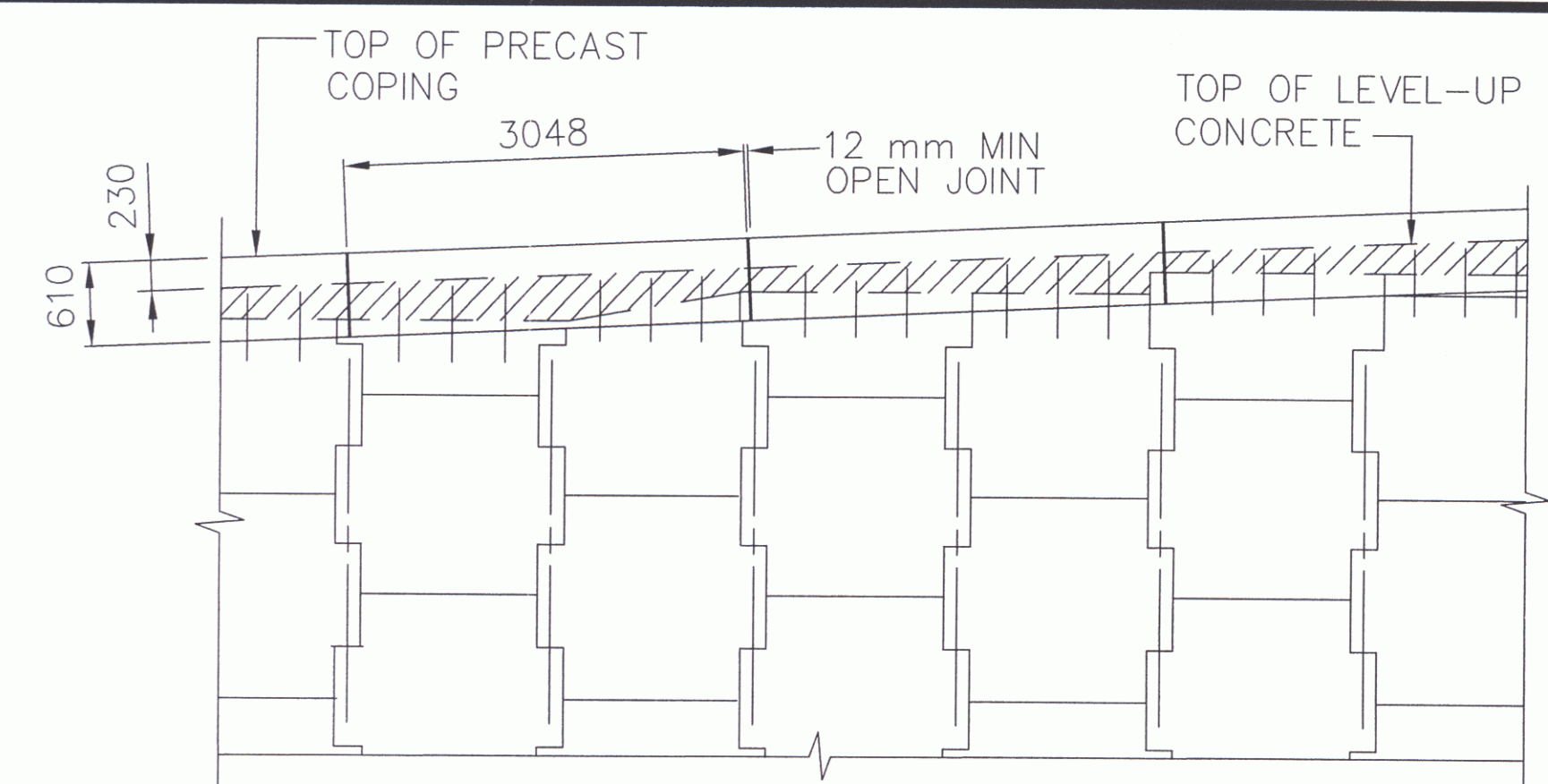
VHB Vanessa Hengen Brustlin, Inc.
Engineers, Planners, and Scientists
Six Bedford Farms, Kilton Rd.
Bedford, NH 03110 603 544 0888

Job Number: _____
Reviewed By: _____
Date: _____

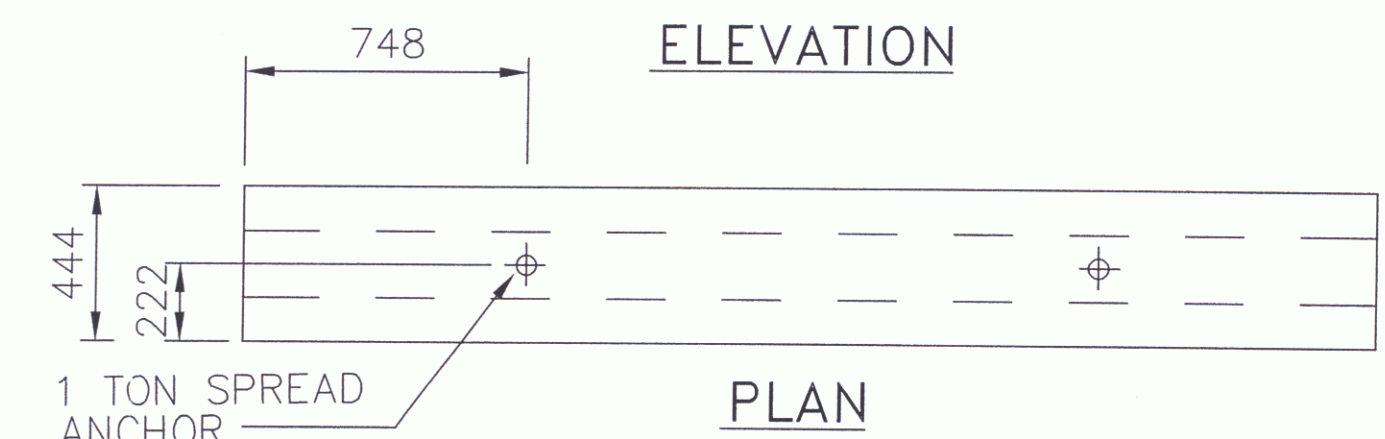
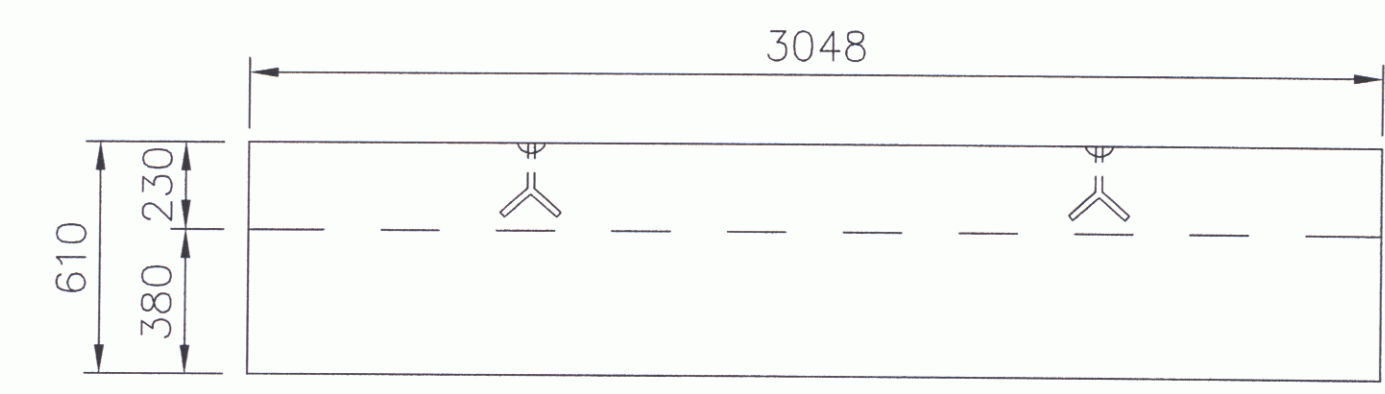


- NOTES:**
- STRIPS OF FILTER CLOTH SHALL BE PLACED ON BACK FACE OF PANEL, OVER PANEL JOINTS. FILTER CLOTH SHALL BE ADHERED TO BACK FACE OF PANELS USING AN ADHESIVE COMPOUND SUPPLIED BY THE REINFORCED EARTH COMPANY.
 - THE CONTRACTOR SHALL PROVIDE THE RESIDENT ENGINEER WITH THE MANUFACTURERS TECHNICAL DATA SHEET AND APPLICATION INSTRUCTIONS FOR THE ADHESIVE COMPOUND.

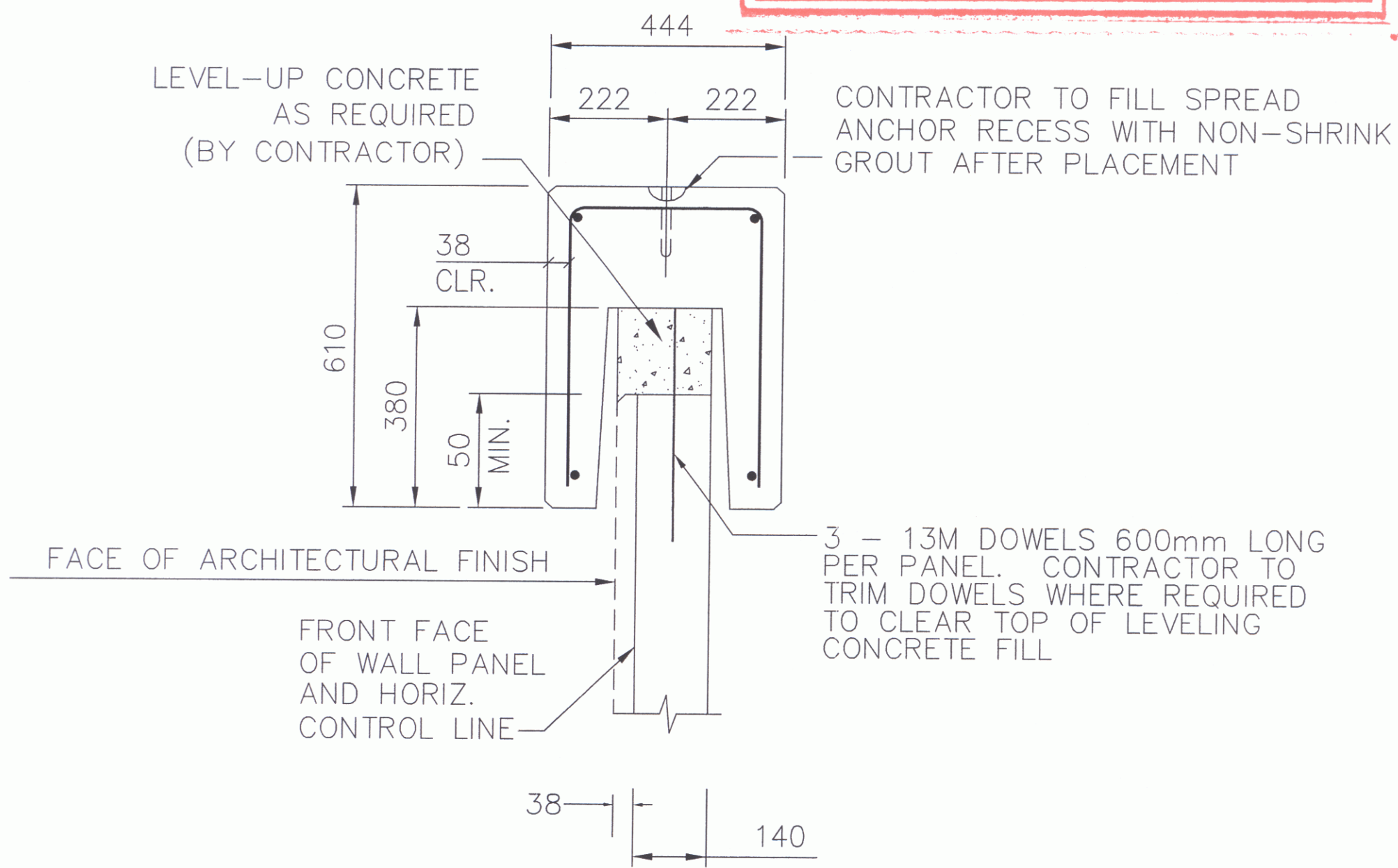
FILTER CLOTH DETAIL
PARTIAL ELEVATION - BACK FACE
SCALE: 1:50



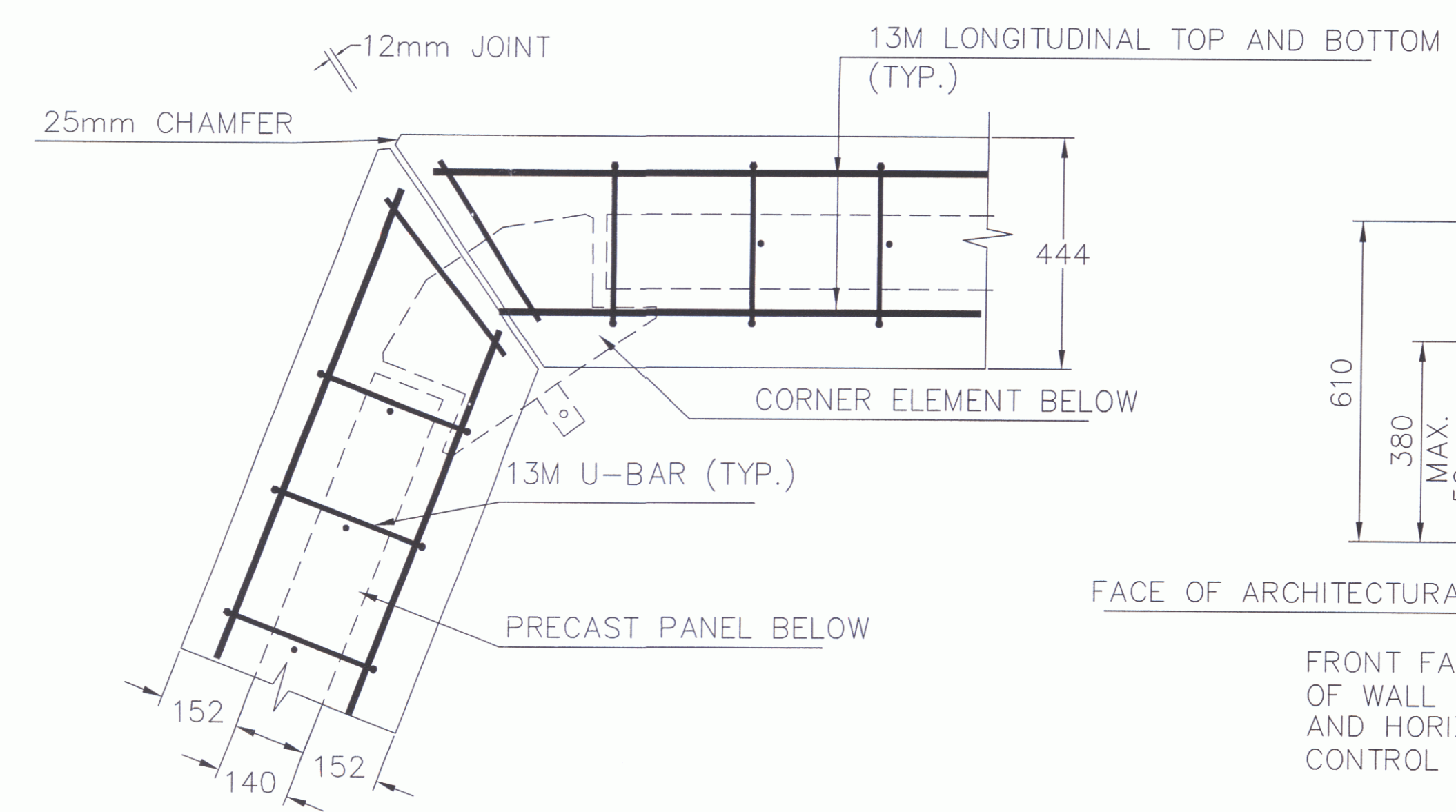
PRECAST COPING - PARTIAL ELEVATION
SCALE: 1:50



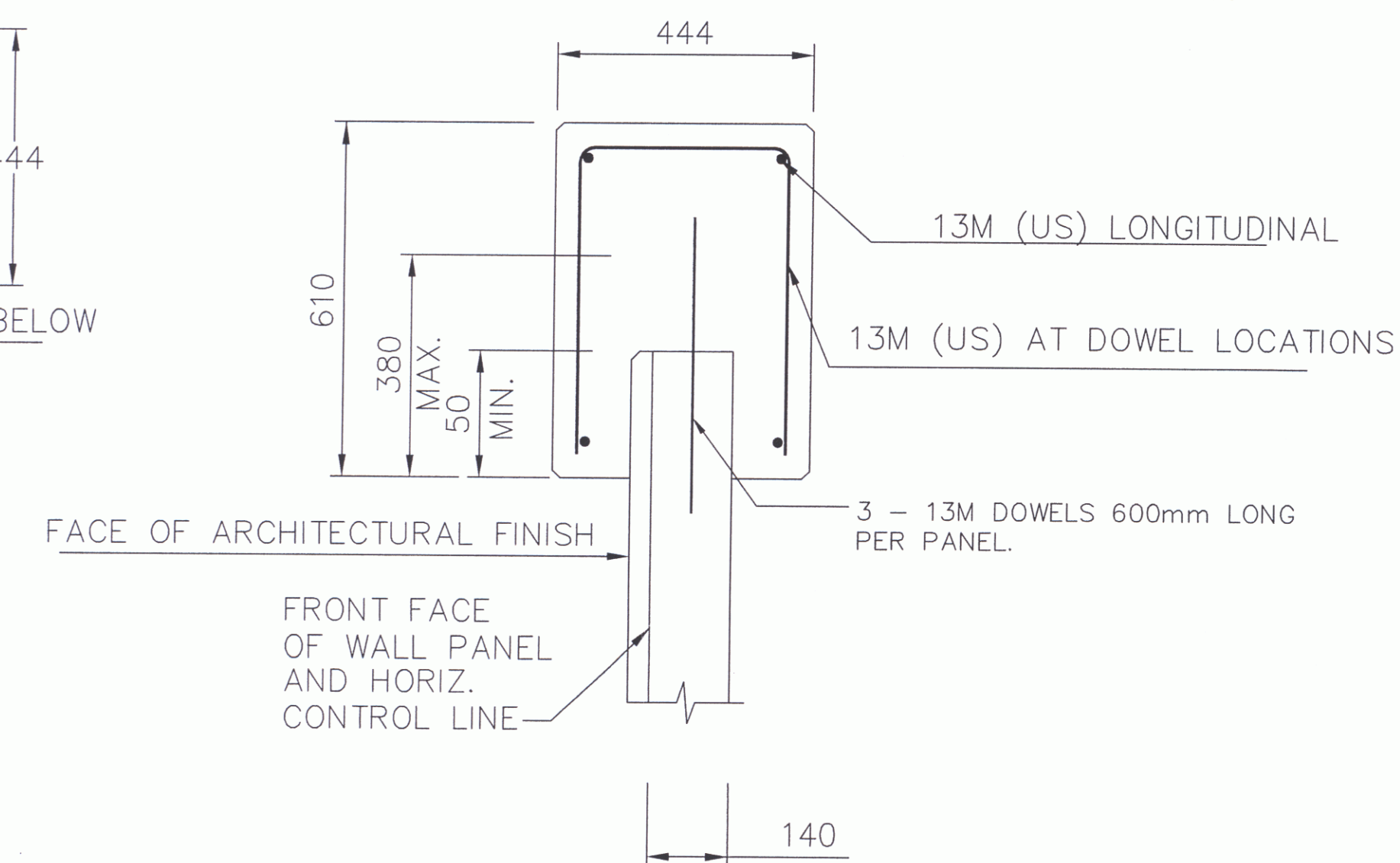
PRECAST COPING DETAIL
SCALE: 1:20



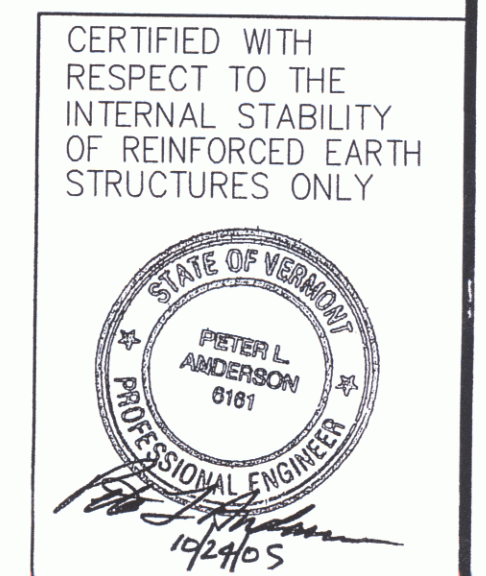
PRECAST COPING SECTION - TYPE CPW1
WIDE THROAT FOR ARCHITECTURAL PANELS
SCALE: 1:100



C.I.P. COPING - PARTIAL PLAN
AT CORNERS
SCALE: 1:10



CAST-IN-PLACE COPING TO MATCH WIDE THROAT
PRECAST COPING FOR ARCHITECTURAL PANELS
SCALE: 1:100



VT AOT PROJ. NO. BRM 5600(6)S C/2

C:\PROJ\NE\11746\FINAL\11746_MISC_DETAIL.DWG

This drawing contains information proprietary to The Reinforced Earth Company, and is being furnished for the use of VT AOT only in connection with this project, and the information contained herein is not to be transmitted to any other organization unless specifically authorized in writing by The Reinforced Earth Company. The Reinforced Earth Company is exclusive licensee in the United States under patents issued to Henri Vidal, and the furnishing of this drawing does not constitute an expressed or implied license under the Vidal patents.

The design contained on these drawings is based on information provided by the owner. On the basis of this information, The Reinforced Earth Company has designed, and is responsible for the internal stability of the structure only. External stability, including foundation and slope stability, is the responsibility of the owner.

The Reinforced Earth Company
8614 Westwood Center Drive Suite 1100, Vienna, Virginia 22182 (703) 821-1175

"REINFORCED EARTH" is the registered trademark of The Reinforced Earth Company.

DESIGNED BY:	JMKC	PROJECT NAME:	TH 4/3 LIME KILN BRIDGE	DATE:	9/7/2005
PROJECT ENGR:	JMKC	LOCATION:	TOWN OF COLCHESTER CHITTENDEN COUNTY, VERMONT	CONTRACT NO.:	11746
CHECKED BY:	KPB	OWNER:	VT AOT	DRAWING NO.:	4 OF 5
ENG. MANAGER:		DRAWING COVERS:	MISC. DETAILS	SCALE:	AS SHOWN
REV.	DATE	DESCRIPTION			