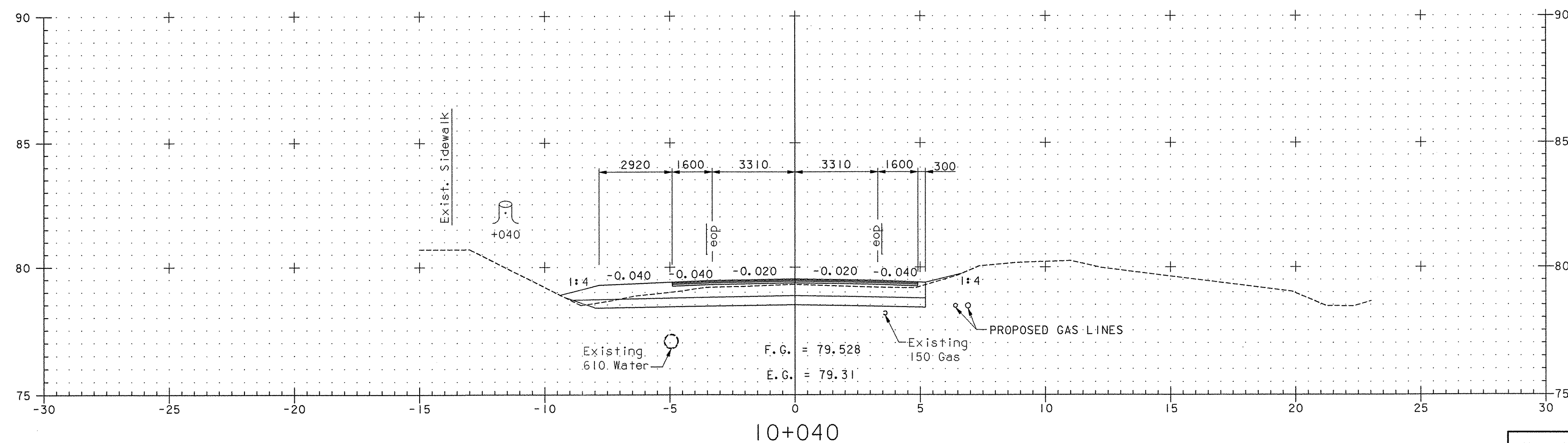


BEGIN PROJECT  
STA 10+045.000



TH 4/3

FROM STA 10+040	TO STA 10+060
PROJECT NAME	COLCHESTER - SOUTH BURLINGTON
PROJECT NO.	BRM 5600(6)S C/2
SURVEYED BY	EIV TECH. SERV. 6/97, 11/02; VTRANS 2/02, 11/02
SHEET 92 OF 124	