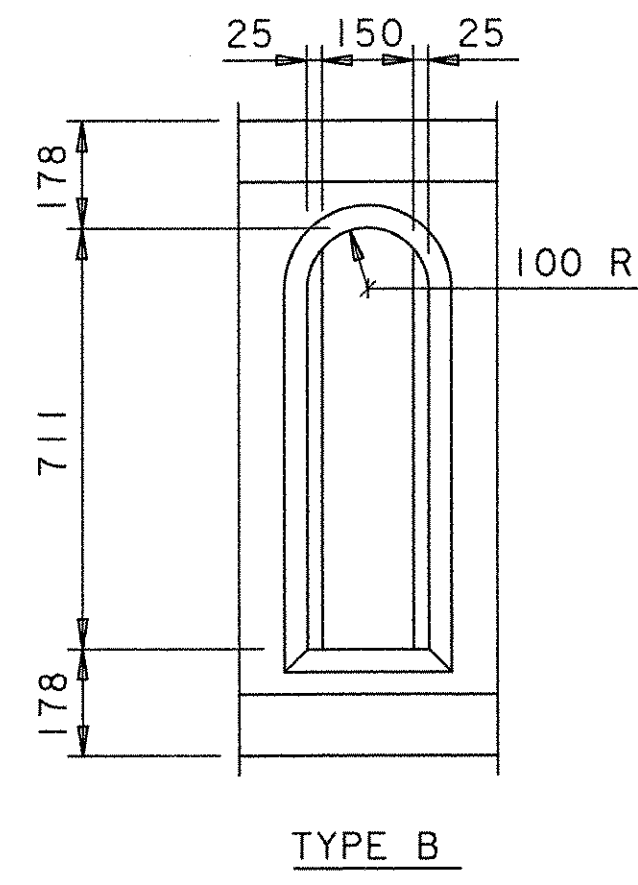
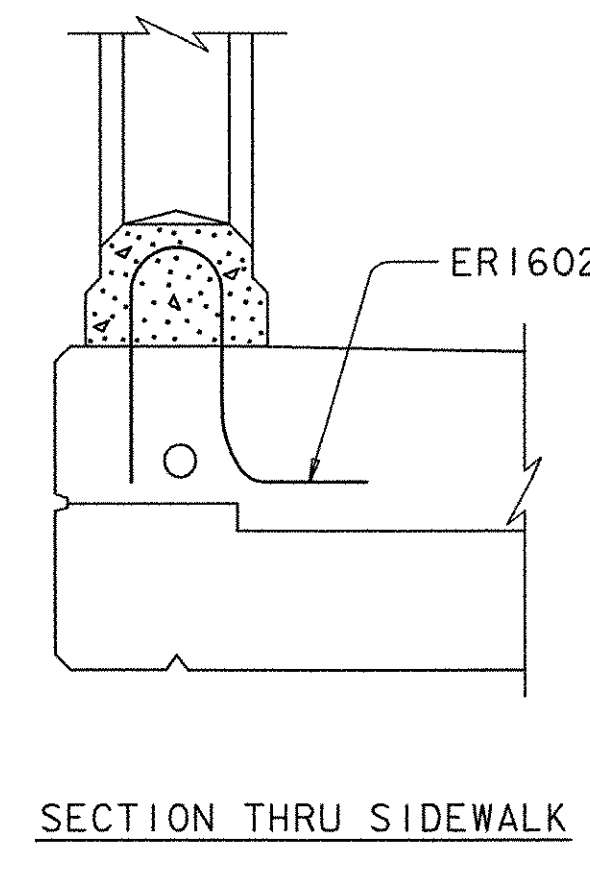


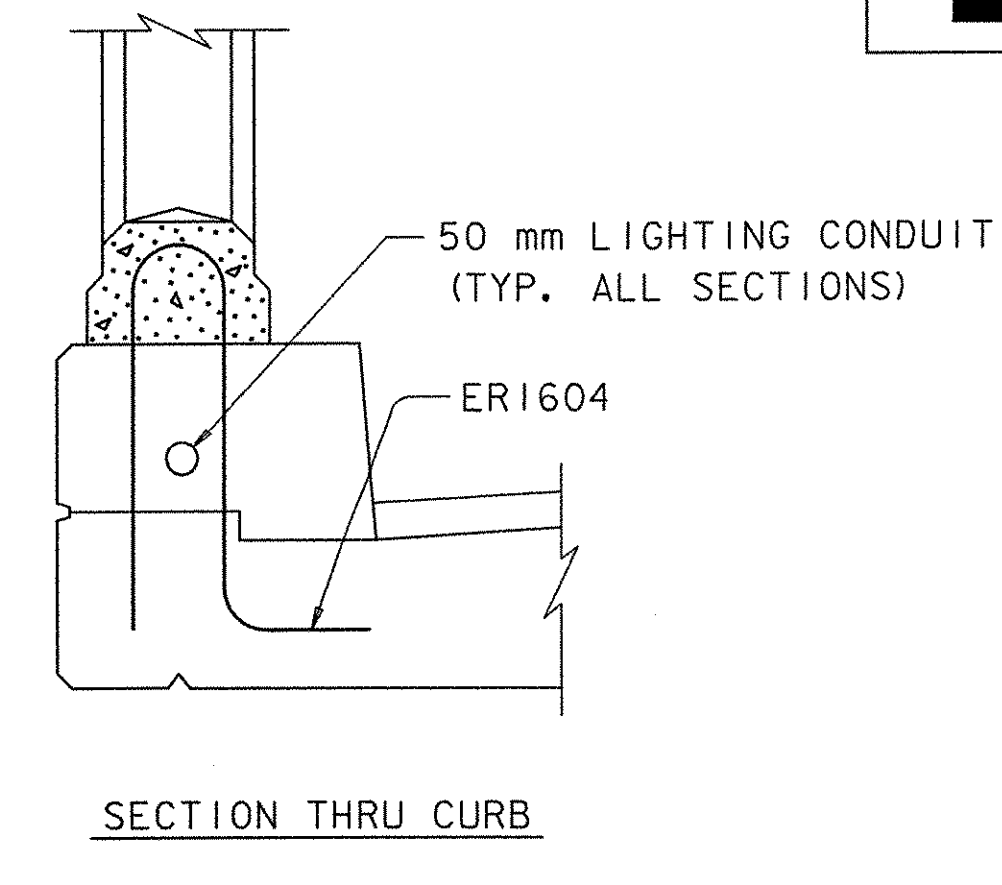
EXTERIOR PILASTER ELEVATIONS



WINDOW DETAIL

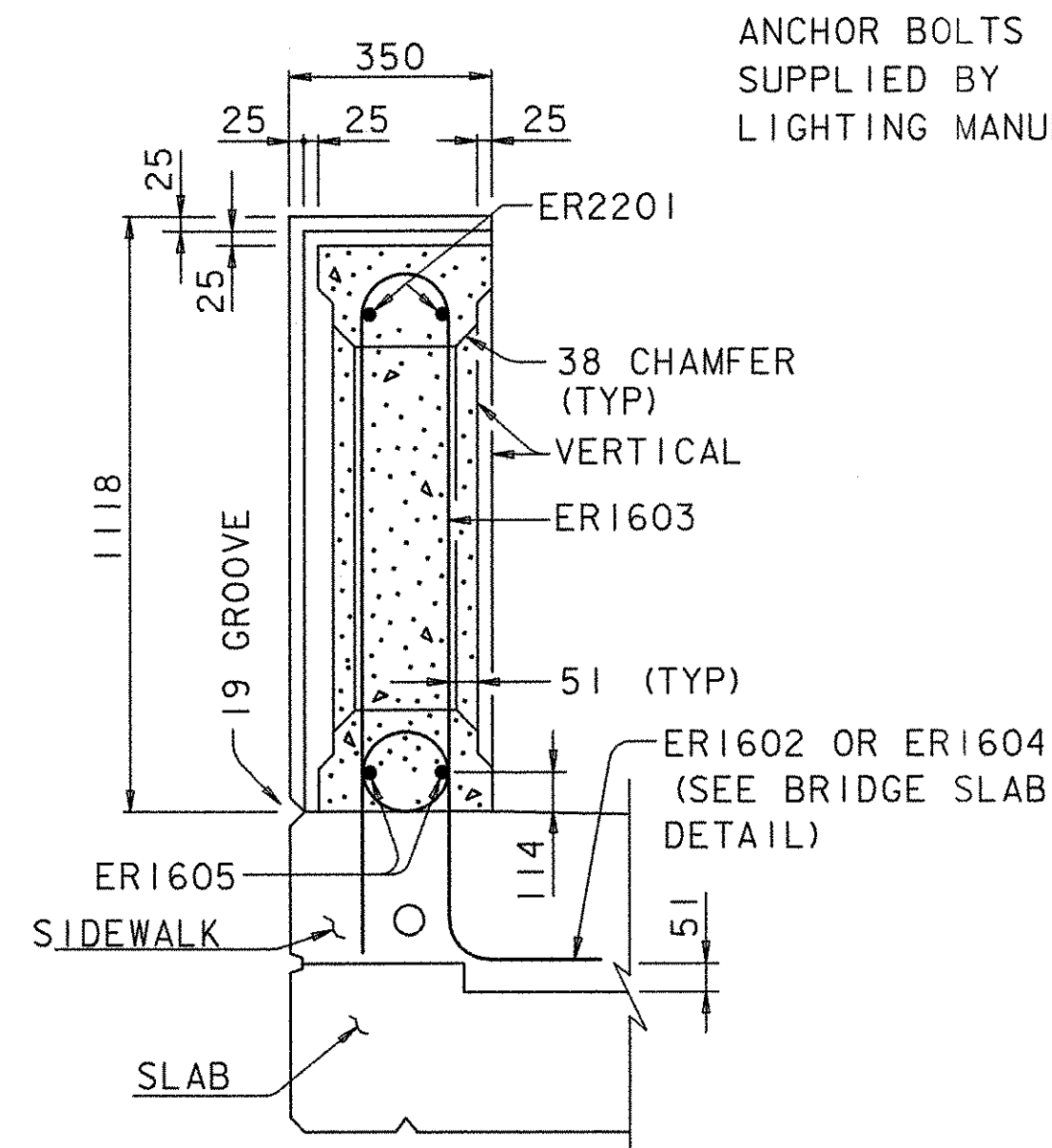


SECTION THRU SIDEWALK

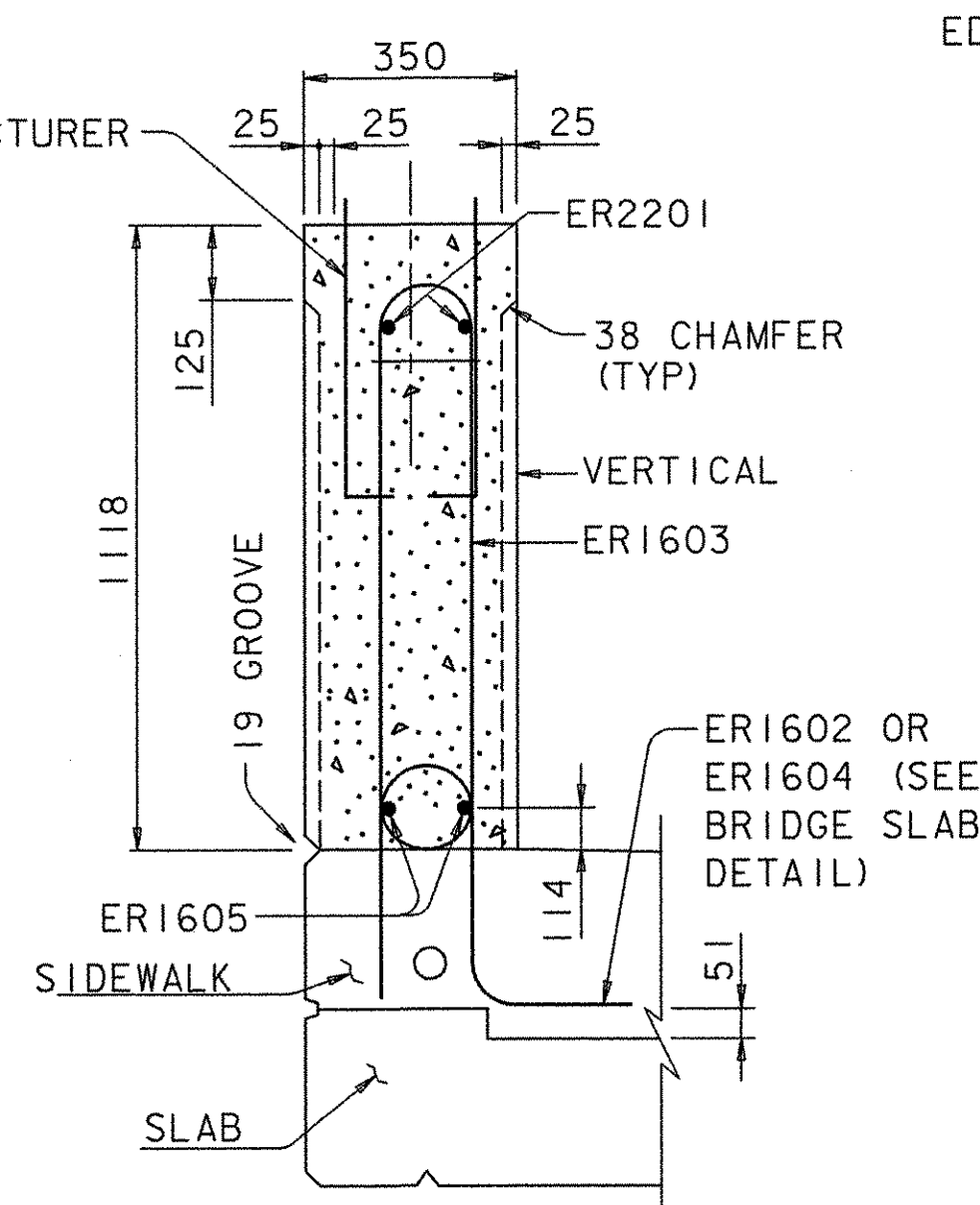


SECTION THRU CURB

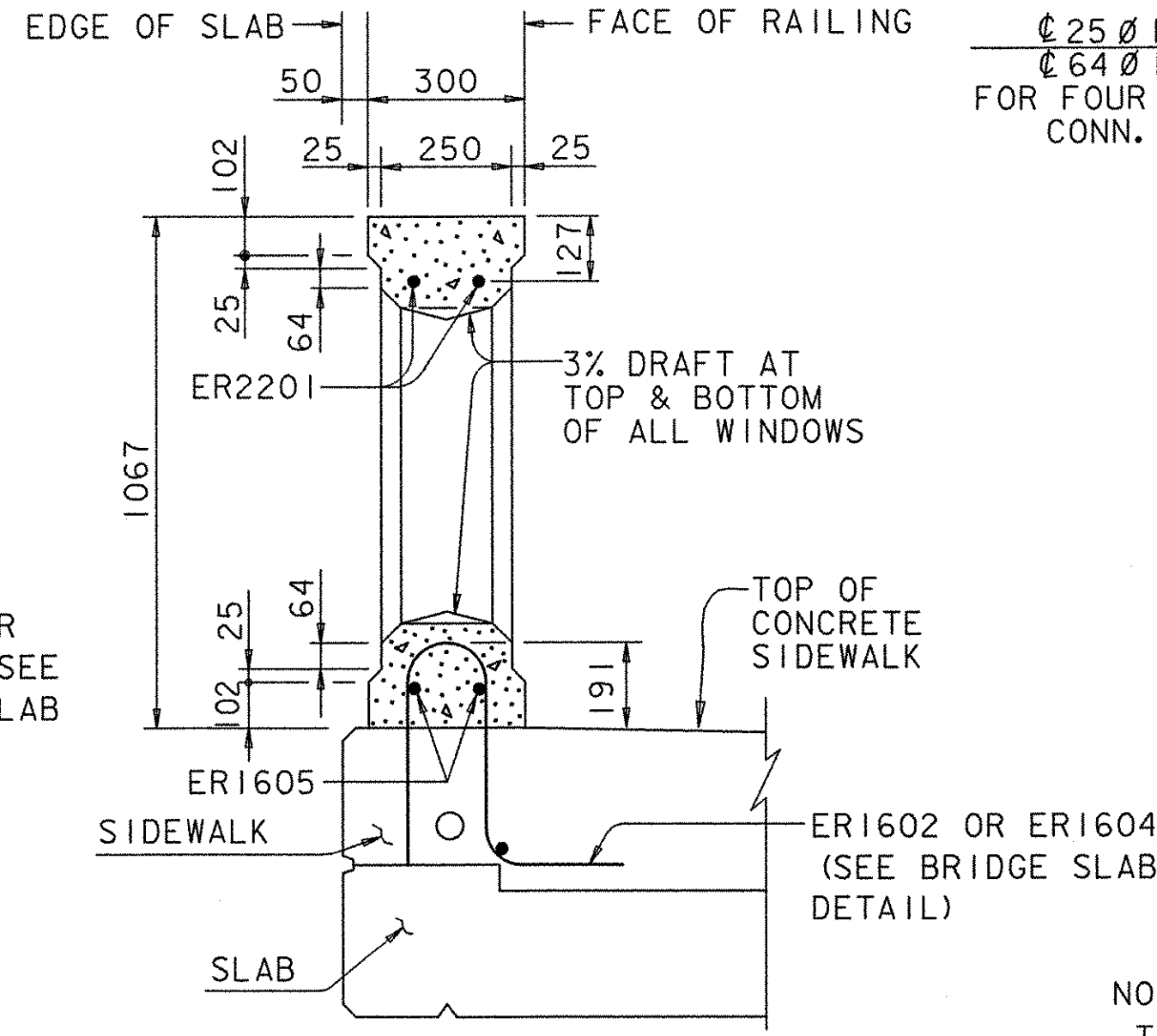
BRIDGE SLAB DETAIL



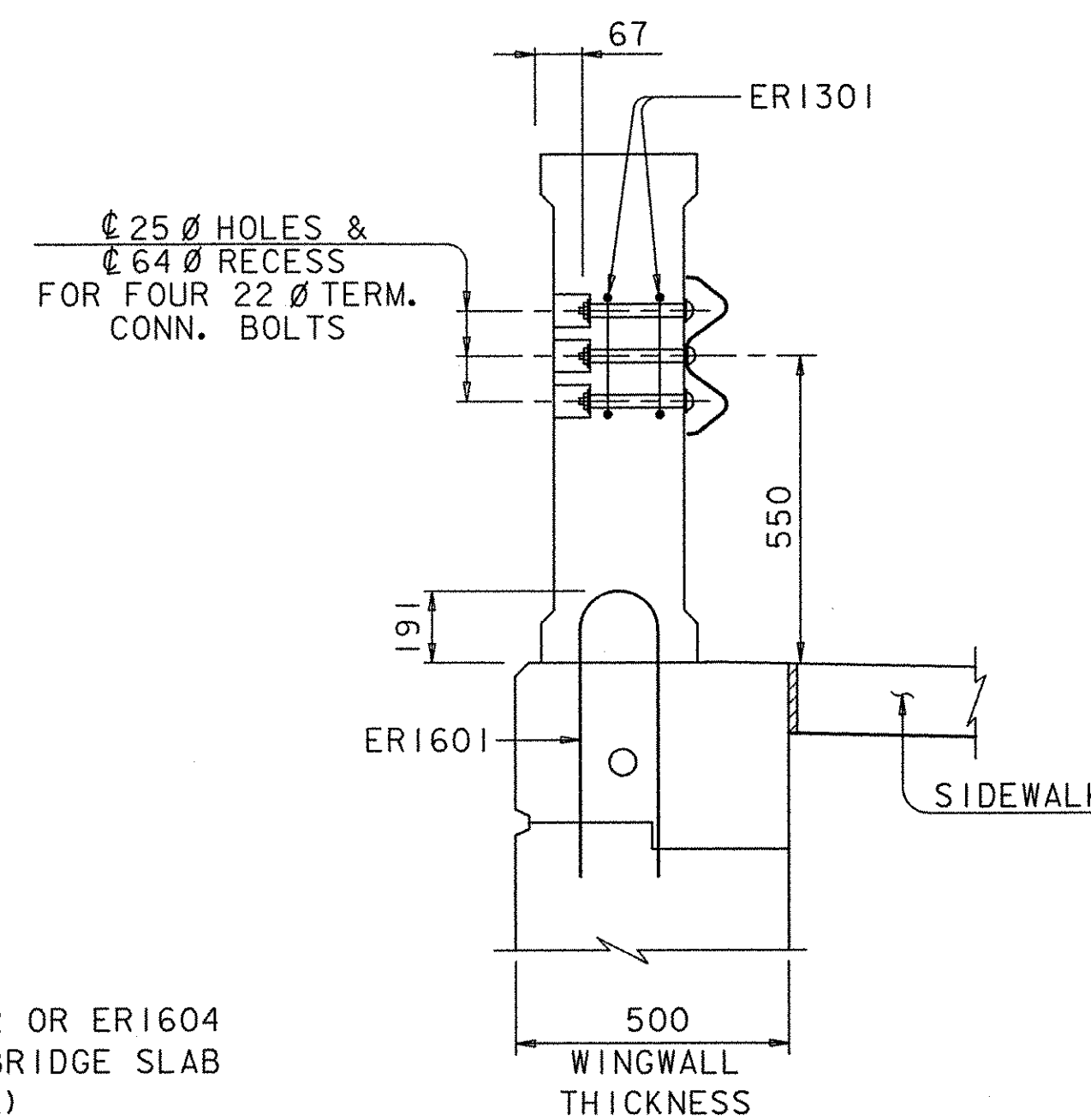
SECTION THRU POST ON BRIDGE SLAB
(SHOWING PILASTER BEYOND)
(SECTION THRU SIDEWALK SHOWN;
SECTION THRU CURB IS SIMILAR.
SEE BRIDGE SLAB DETAIL)



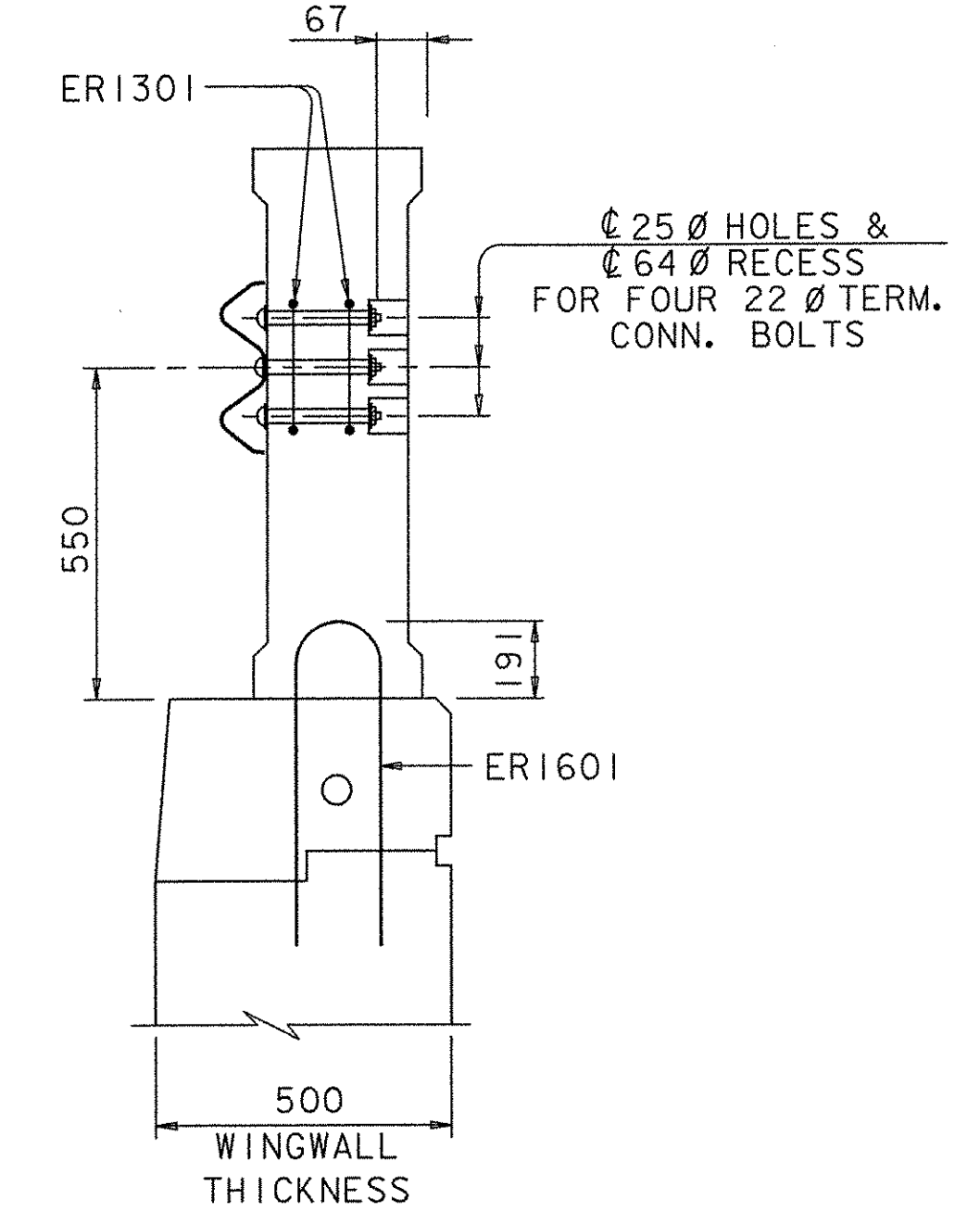
SECTION THRU LIGHT POST PILASTER
(SECTION THRU SIDEWALK SHOWN;
SECTION THRU CURB IS SIMILAR.
SEE BRIDGE SLAB DETAIL)



SECTION THRU WINDOW ON BRIDGE SLAB
(SECTION THRU SIDEWALK SHOWN;
SECTION THRU CURB IS SIMILAR.
SEE BRIDGE SLAB DETAIL)



SECTION THRU WINGWALL #1 & #3
(SHOWING GUARDRAIL CONNECTION)

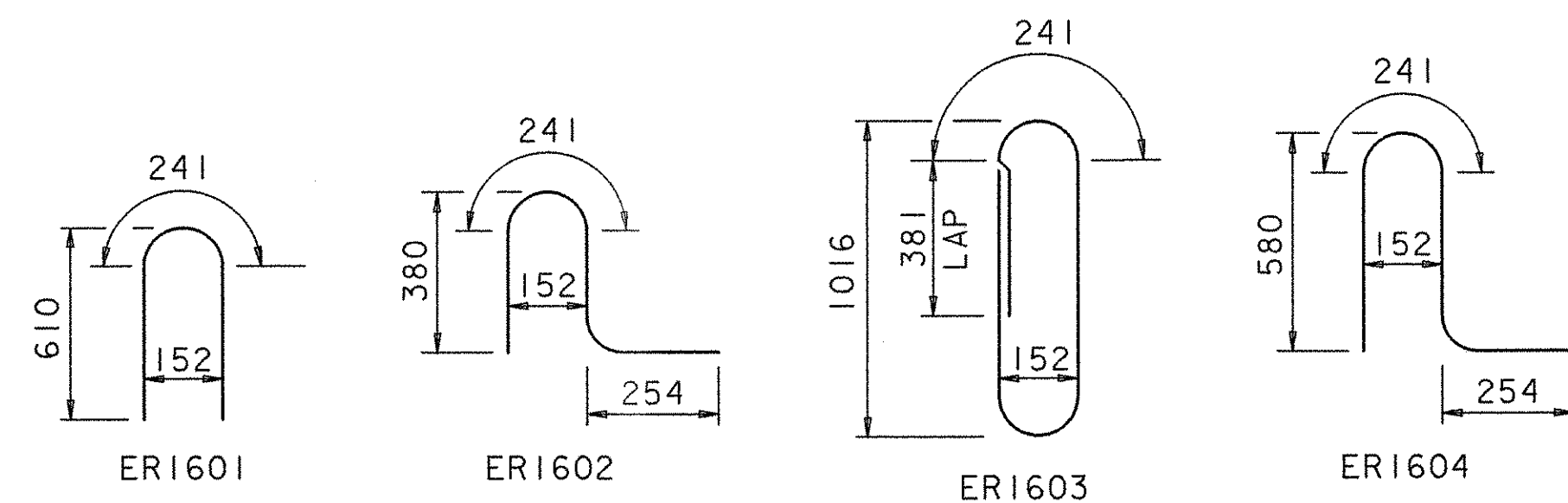


SECTION THRU WINGWALL #2 & #4
(SHOWING GUARDRAIL CONNECTION)

NOTE:
THE HOLES AND RECESSES MUST BE FORMED OR
CORED NO PERCUSSION DRILLING WILL BE ALLOWED.

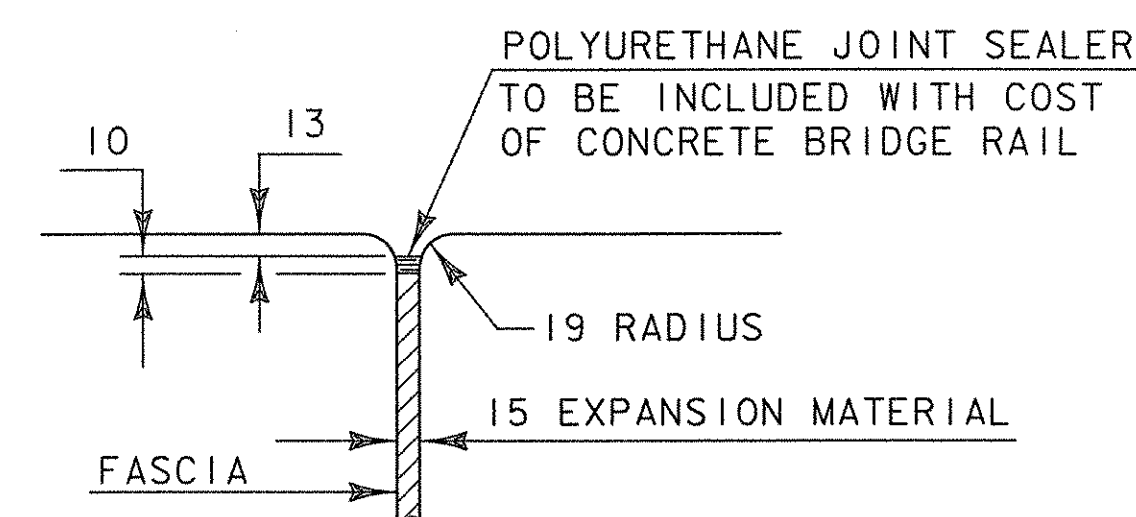
NOTE:
THE HOLES AND RECESSES MUST BE FORMED OR
CORED NO PERCUSSION DRILLING WILL BE ALLOWED.

NOTE:
1. SEE SHEETS 82-83 FOR REINFORCING STEEL SCHEDULE.



NOTE: THESE ARE IN ADDITION TO THOSE FOUND ON
THE REINFORCING STEEL SCHEDULE (SEE NOTE 1).

BAR TYPES



JOINT BETWEEN SIDEWALK
AND WINGWALL

DATUM
VERTICAL NAVD 88
HORIZONTAL NAD 83 (92)

VHB Vanasse Hangen Brustlin, Inc.

STATE OF VERMONT
AGENCY OF TRANSPORTATION

Town Of COLCHESTER-SOUTH BURLINGTON	Bridge No. 6
Highway No. TH 4/3	Log Sta. Surv. Sta.
TH 4/3 OVER WINOOSKI RIVER & N. E. C. R.	
CONCRETE BRIDGE RAIL (2 OF 3)	
Designed By VTRANS	Drawn By B. J. MASSE
Checked By VTRANS/JTK	Bridge Design Supervisor S. M. GUNN
Date 4/05	Date 4/05
PROJECT COLCHESTER-SOUTH BURLINGTON	PROJECT NO. BRM 5600 (6) S C/2
I.G.C. Info.	
Bridge Sheet No. ZD139TEXRAIL Sheet	80 of 124