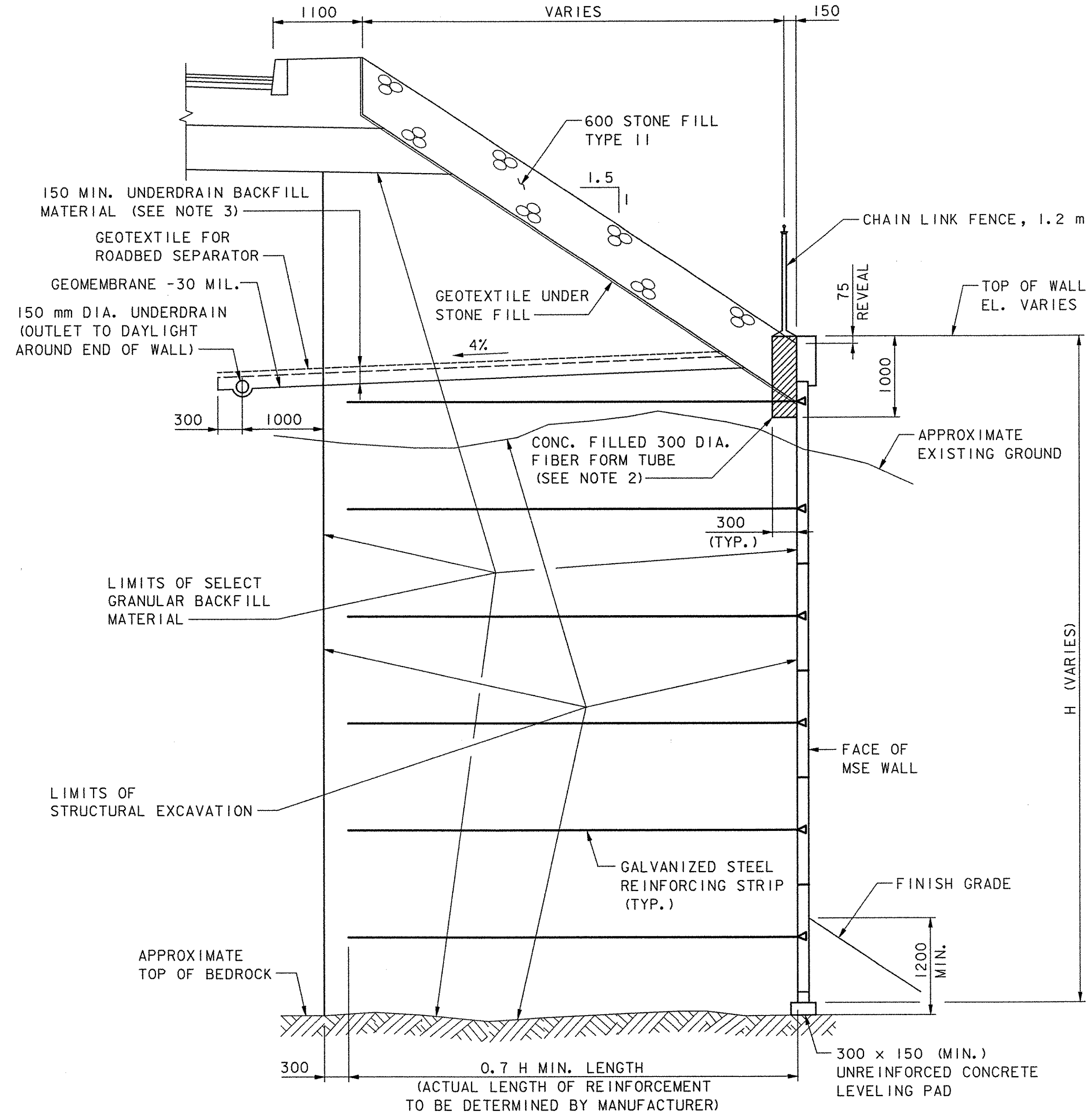
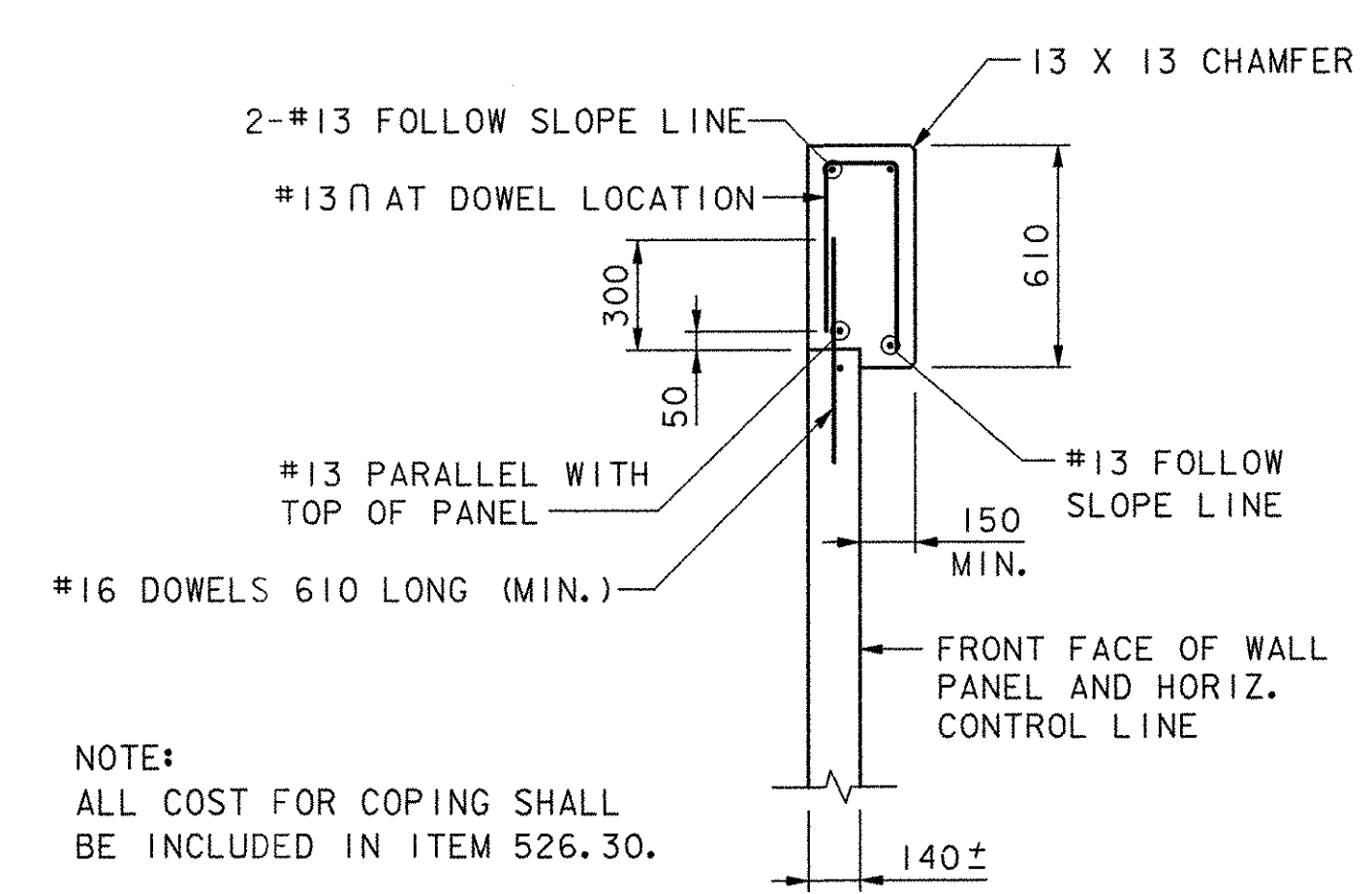
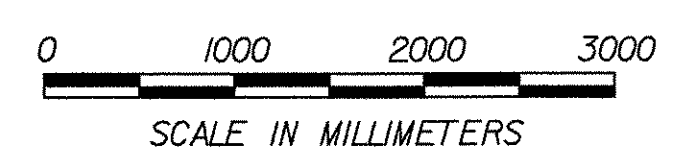


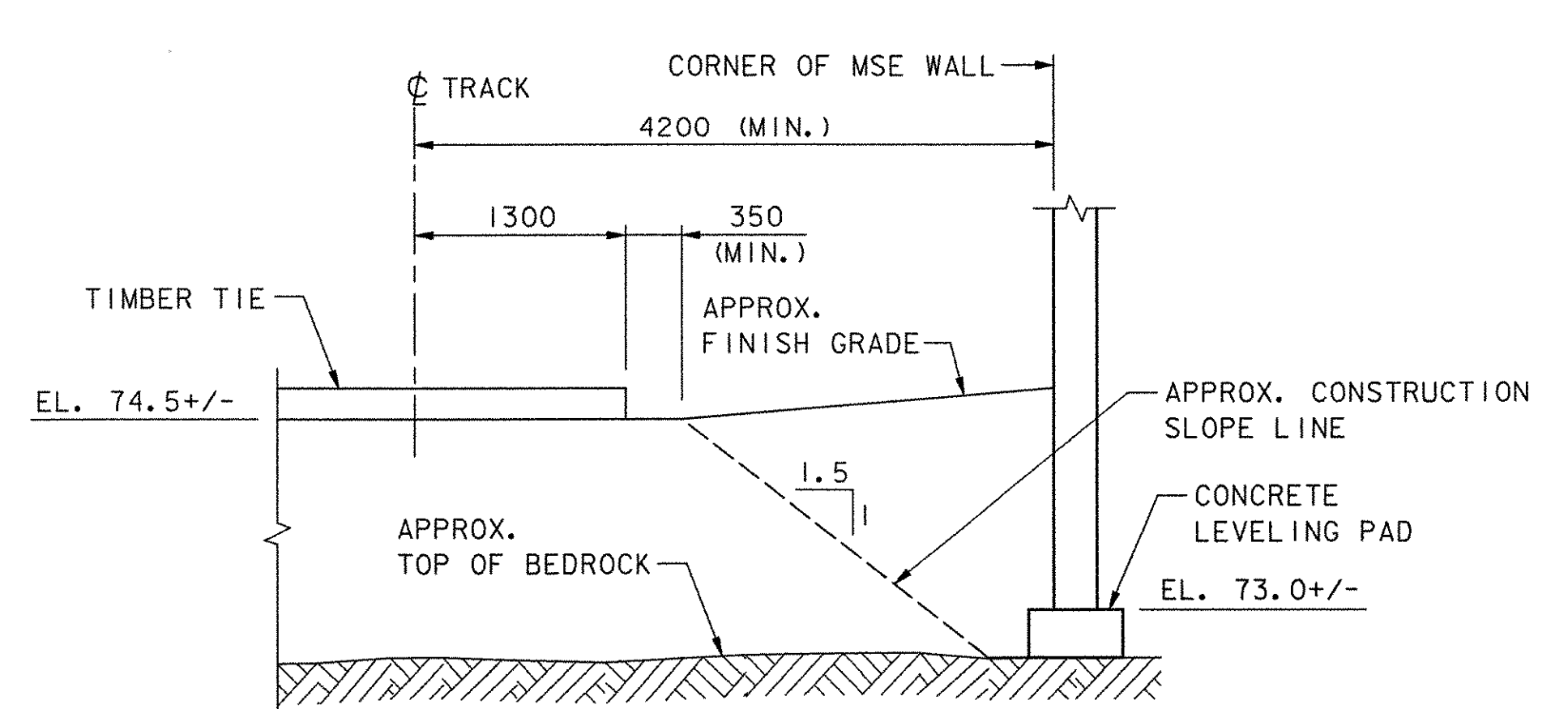
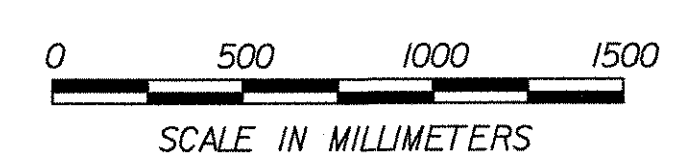
TYPICAL SECTION - WALL "B"
SCALE: 1:40



TYPICAL SECTION - WALL "C"
SCALE: 1:40



CONCRETE COPING DETAIL
SCALE: 1:20



MSE WALL/TRACK DETAIL
(AT INTERSECTION OF WALL B AND WALL C)
NOT TO SCALE

NOTES:

- SEE SHEET 77 FOR MSE WALL NOTES.
- ALL COST INCLUDED UNDER ITEM 620.11, CHAIN LINK FENCE, 1.2 m (MOD. - BLACK VINYL).
- SEE CHART FOR UNDERDRAIN BACKFILL MATERIAL ON SHEET 16.

**STATE OF VERMONT
AGENCY OF TRANSPORTATION**

Town Of COLCHESTER-SOUTH BURLINGTON	Bridge No. 6
Highway No. TH 4/3	Log Sta. Surv. Sta.
TH 4/3 OVER WINOOSKI RIVER & N.E.C.R.	
MSE WALL DETAILS (2 OF 2)	
Designed By M. A. COLGAN	Drawn By B. J. MASSE
Checked By K. G. KRETSCH	Bridge Design Supervisor S. M. GUNN
Date 4/05	Date 4/05
PROJECT COLCHESTER-SOUTH BURLINGTON	PROJECT NO. BRM 5600 (6) S C/2
I.G.C. Info.	
Bridge Sheet No. ZD139RET2	Sheet 78 of 124

DATUM
VERTICAL NAVD 88
HORIZONTAL NAD 83 (92)