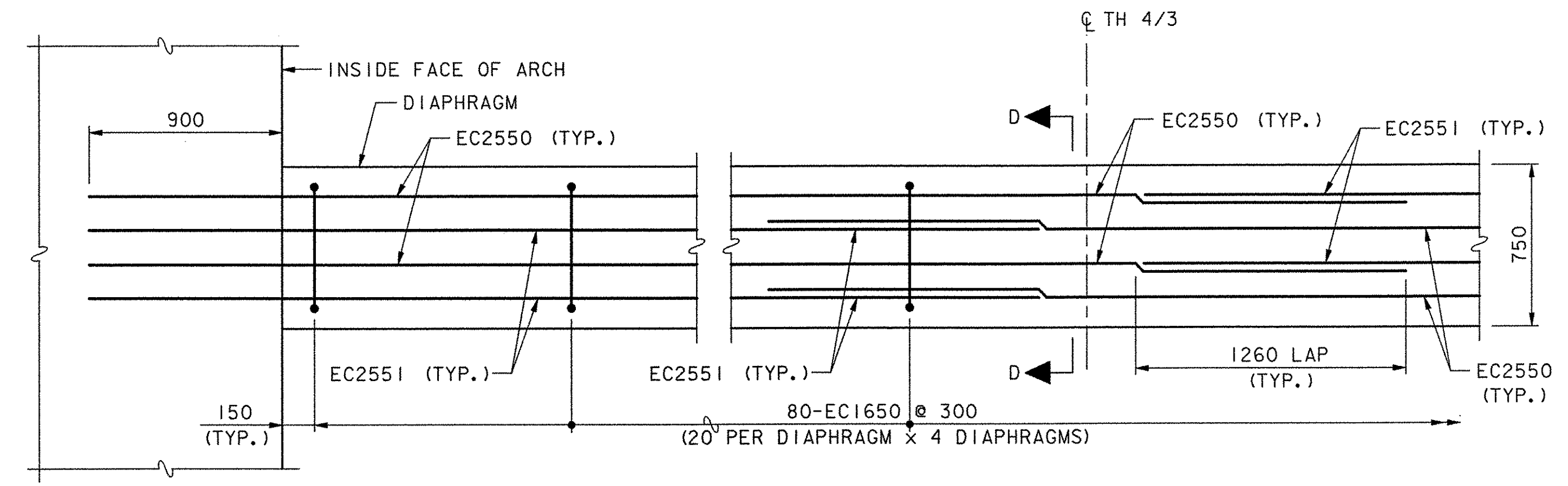


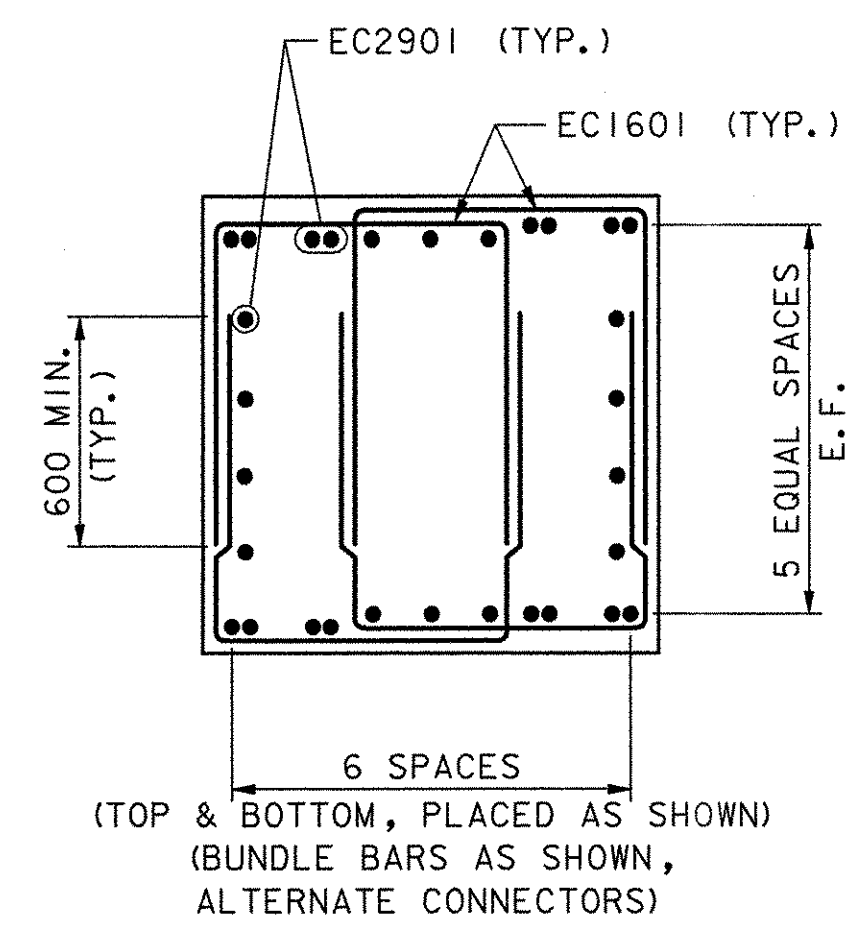
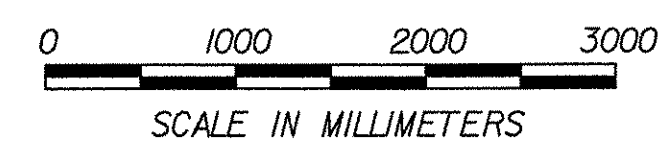
SECTION D-D
SCALE: 1:20



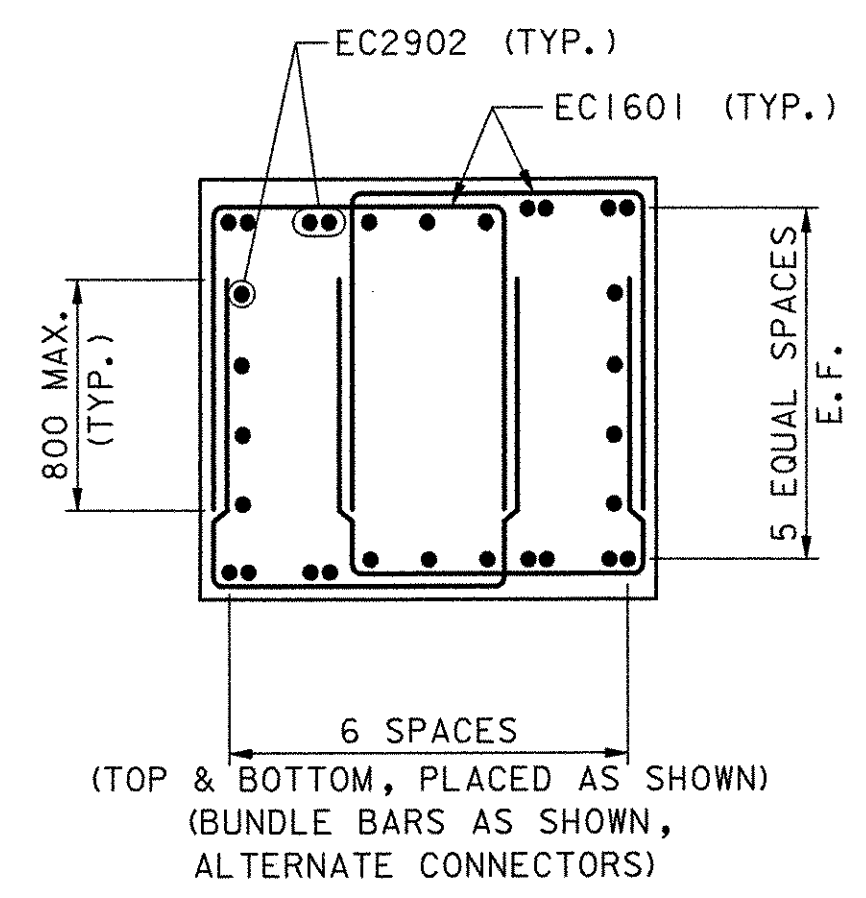
PARTIAL PLAN

TYPICAL DIAPHRAGM DETAIL
SCALE: 1:20

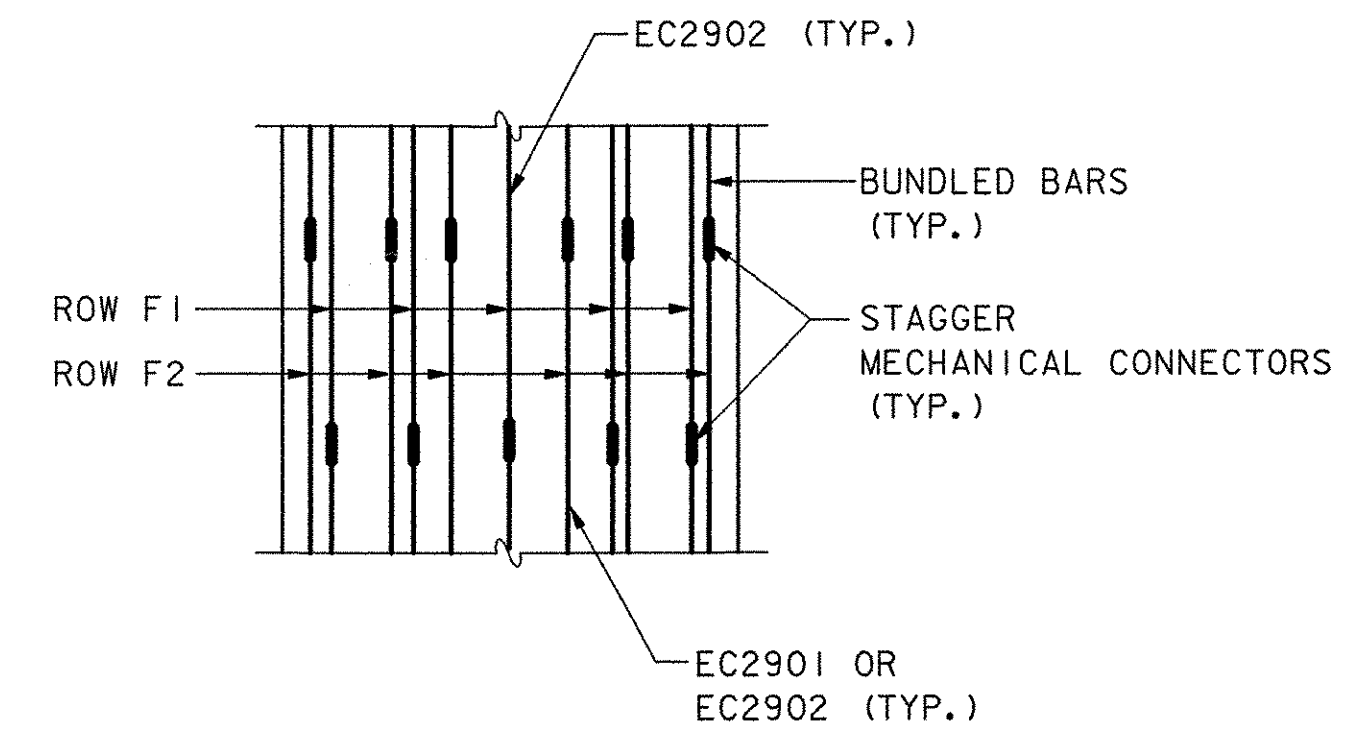
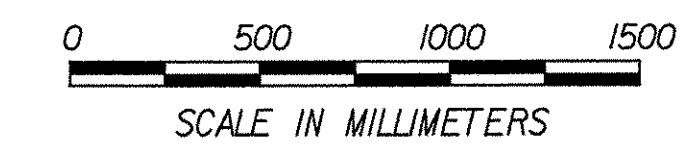
HALF-ARCH ELEVATION
SCALE: 1:40



SECTION A-A
SCALE: 1:20



SECTION B-B
SCALE: 1:20



SECTION C-C
(ROW F SHOWN, ROW A SIMILAR)
SCALE: 1:20

REINFORCING KEY
E.F. = EACH FACE
N.S. = NEAR SIDE
F.S. = FAR SIDE

NOTES:

1. QUANTITIES SHOWN ARE FOR HALF OF ONE ARCH ONLY. SEE REINFORCING SCHEDULE FOR TOTAL QUANTITIES.
2. SEE EMBEDMENT LENGTH TABLE FOR ROW A THRU ROW F ON SHEET 76.

STATE OF VERMONT AGENCY OF TRANSPORTATION	
Town Of COLCHESTER-SOUTH BURLINGTON	Bridge No. 6
Highway No. TH 4/3	Log Sta. Surv. Sta.
TH 4/3 OVER WINOOSKI RIVER & N.E.C.R.	
ARCH REINFORCING	
Designed By W.M. MOSHER	Drawn By B.J. MASSE
Checked By K.G. KRETSCH	Date 4/05
PROJECT NO. COLCHESTER-SOUTH BURLINGTON	
PROJECT NO. BRM 5600 (6) S C/2	
I.G.C. Info.	
Bridge Sheet No. ZD139AR	Sheet 74 of 124

DATUM
VERTICAL NAVD 88
HORIZONTAL NAD 83 (92)