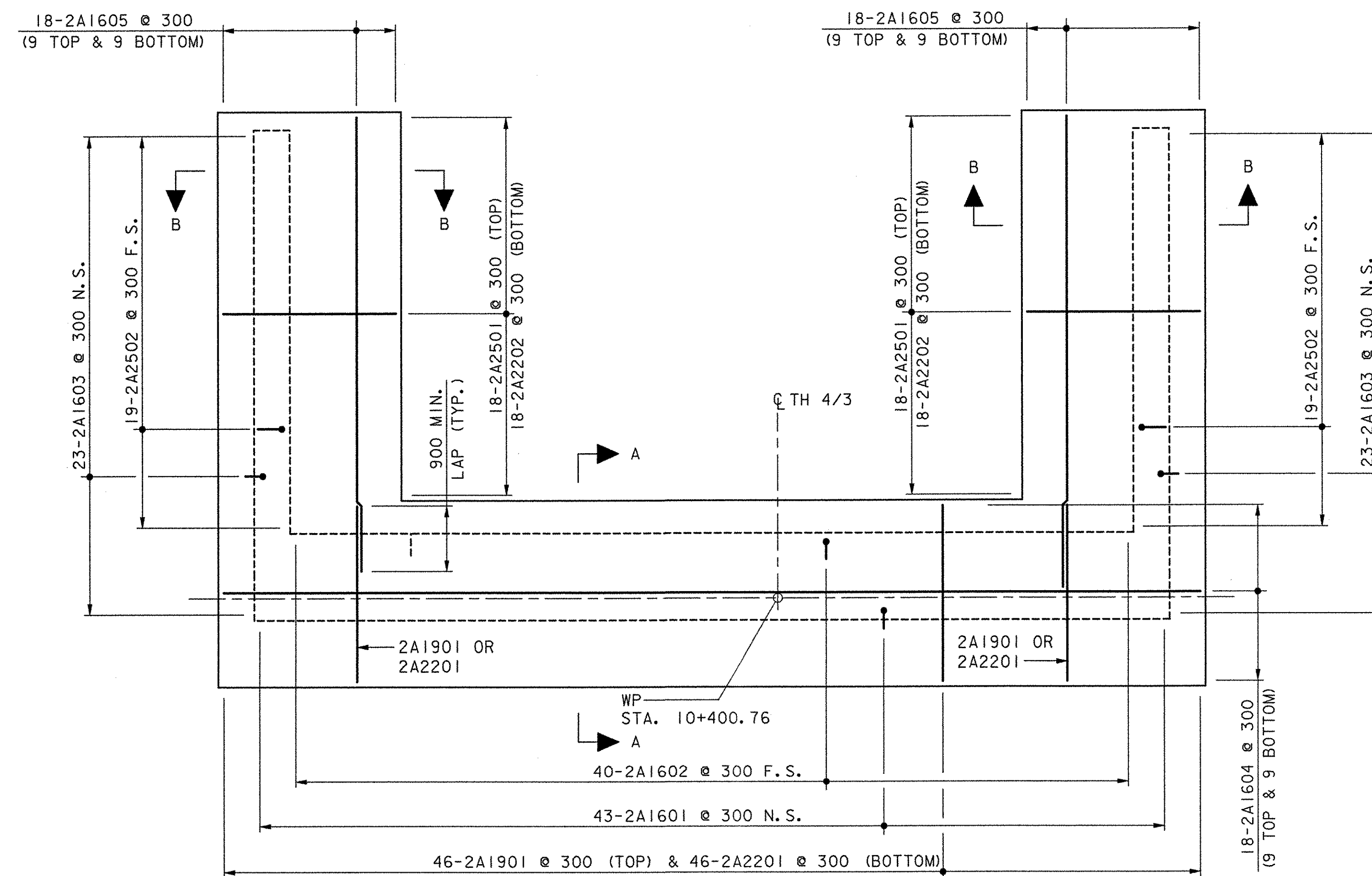
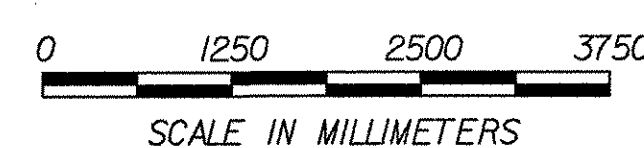


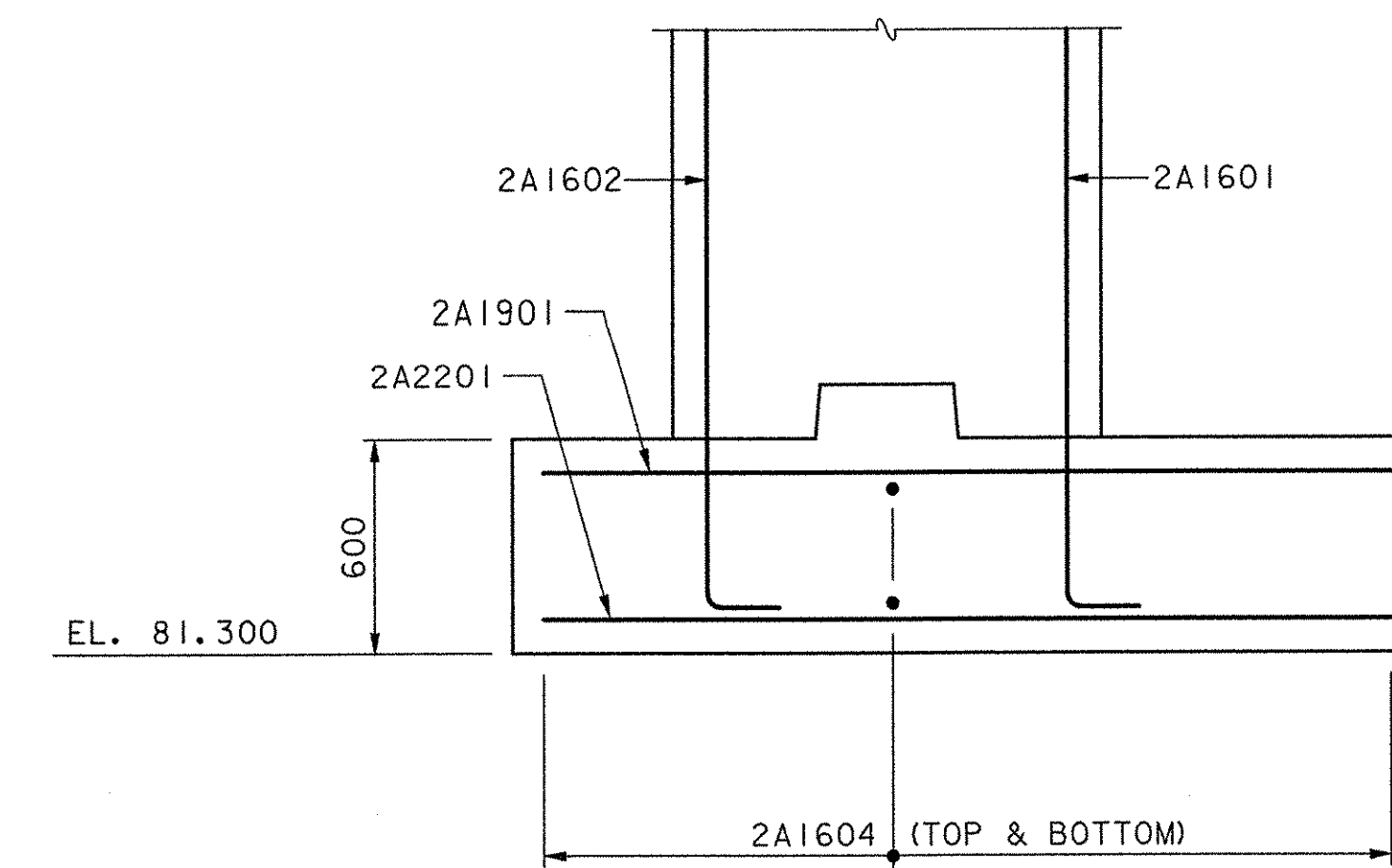
MASONRY
SCALE: 1:50



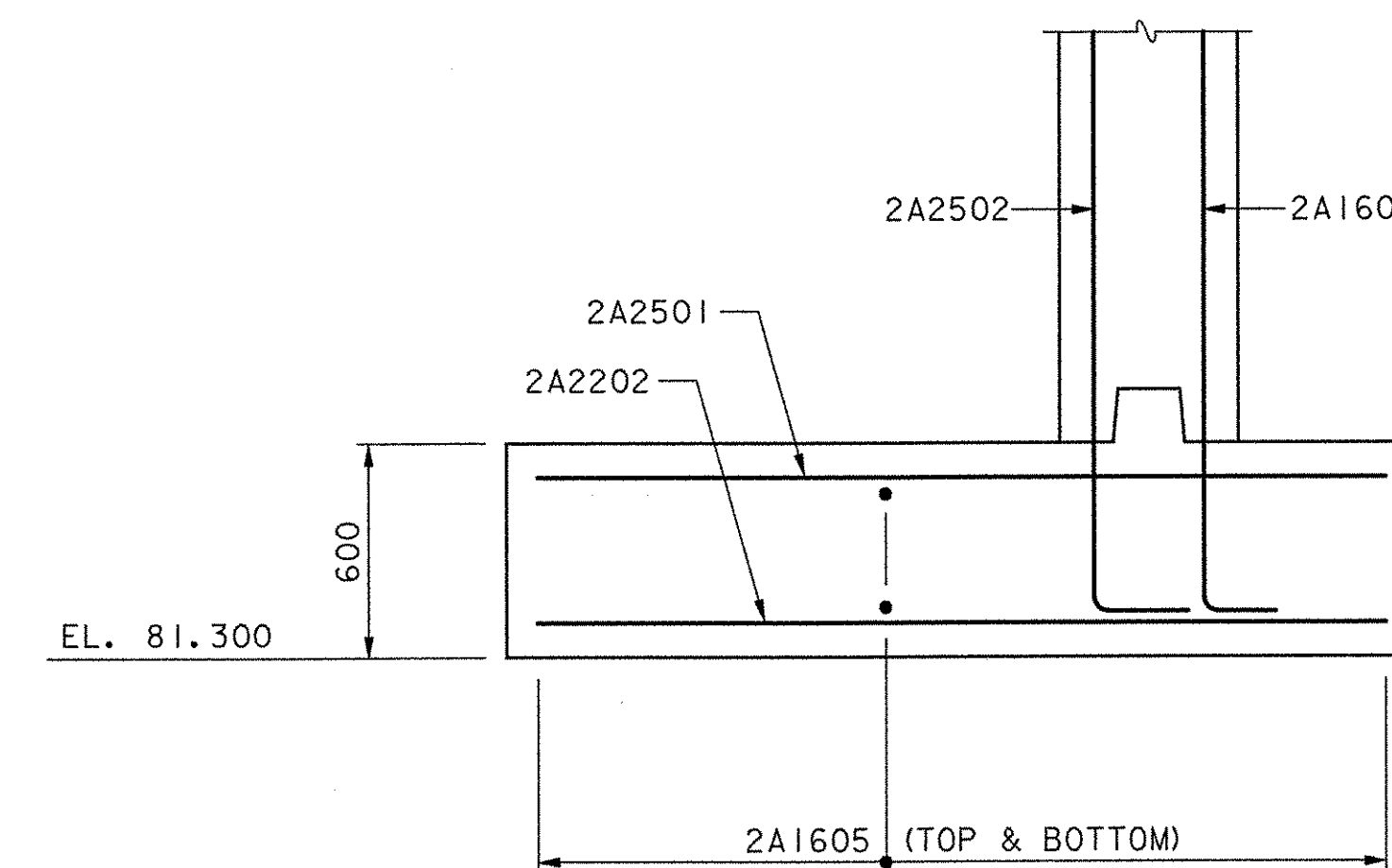
REINFORCING
SCALE: 1:50



DATUM
VERTICAL NAVD 88
HORIZONTAL NAD 83 (92)



SECTION A-A
SCALE: 1:20



SECTION B-B
SCALE: 1:20



REINFORCING KEY

E.F. = EACH FACE
N.S. = NEAR SIDE
F.S. = FAR SIDE

**STATE OF VERMONT
AGENCY OF TRANSPORTATION**

Town Of COLCHESTER-SOUTH BURLINGTON	Bridge No. 6
Highway No. TH 4/3	Log Sta. Surv. Sta.
TH 4/3 OVER WINOOSKI RIVER & N.E.C.R.	
ABUTMENT NO.2 FOOTING	
Designed By J. T. KLEIN	Drawn By K. D. WENTWORTH
Checked By K. G. KRETSCH	Date 4/05
S. M. GUNN Date 4/05	
PROJECT COLCHESTER-SOUTH BURLINGTON	PROJECT NO. BRM 5600 (6) S C/2
I.G.C. Info.	
Bridge Sheet No. ZD139AF2	Sheet 68 of 124