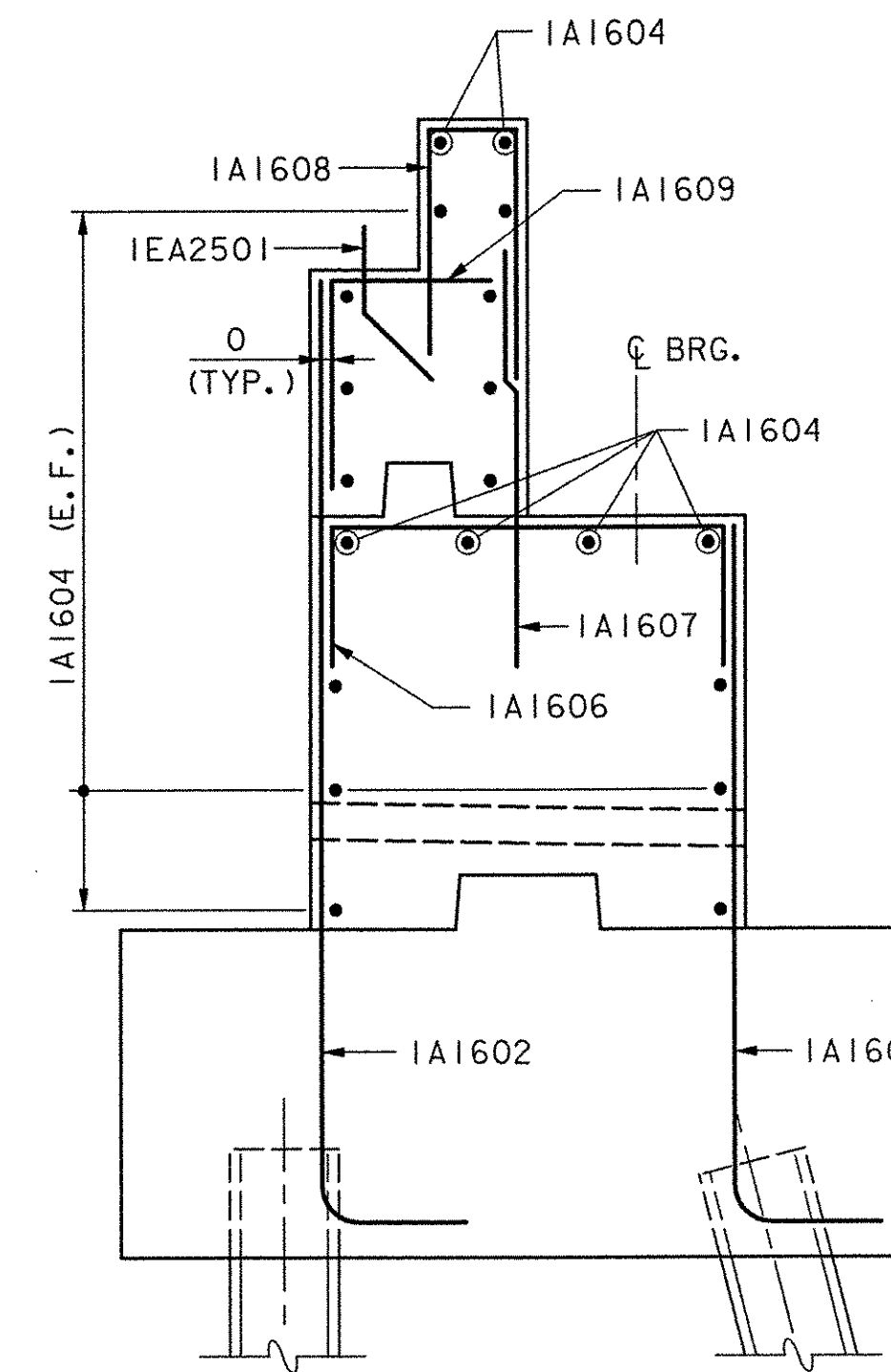
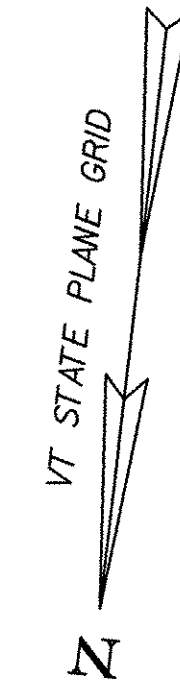
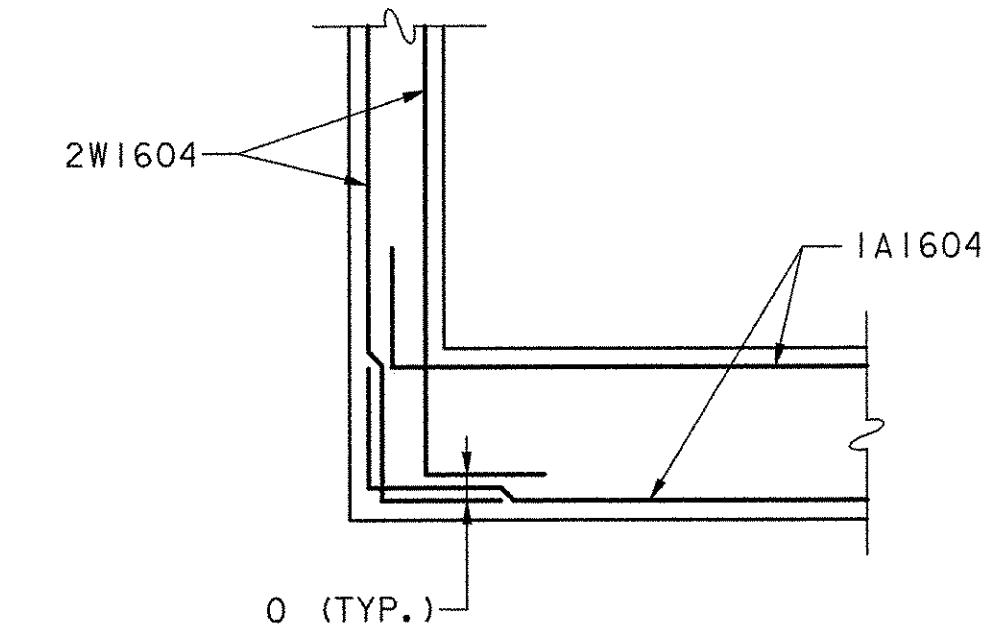


**PLAN**  
SCALE: 1:40

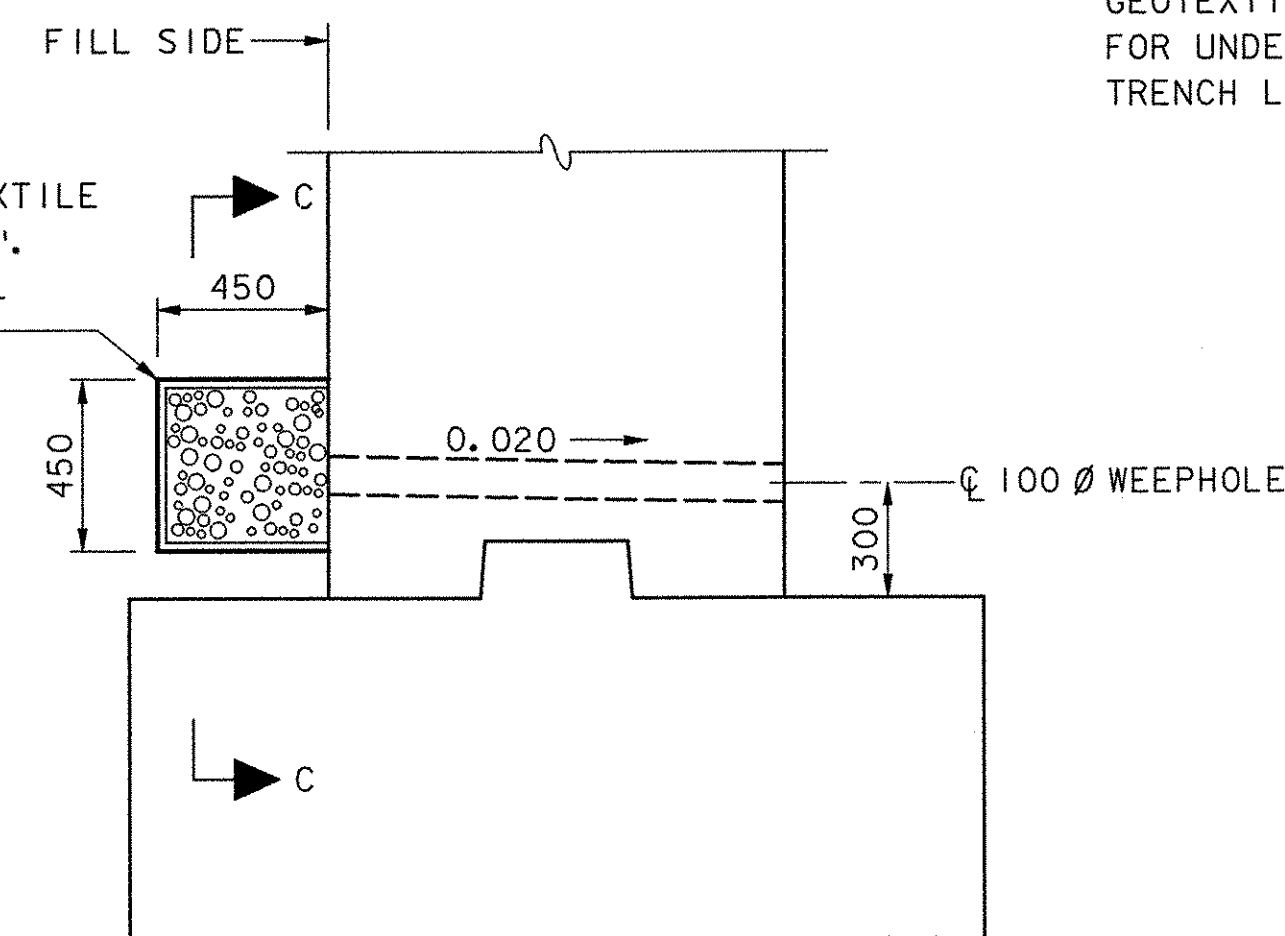


**SECTION A-A**  
SCALE: 1:20

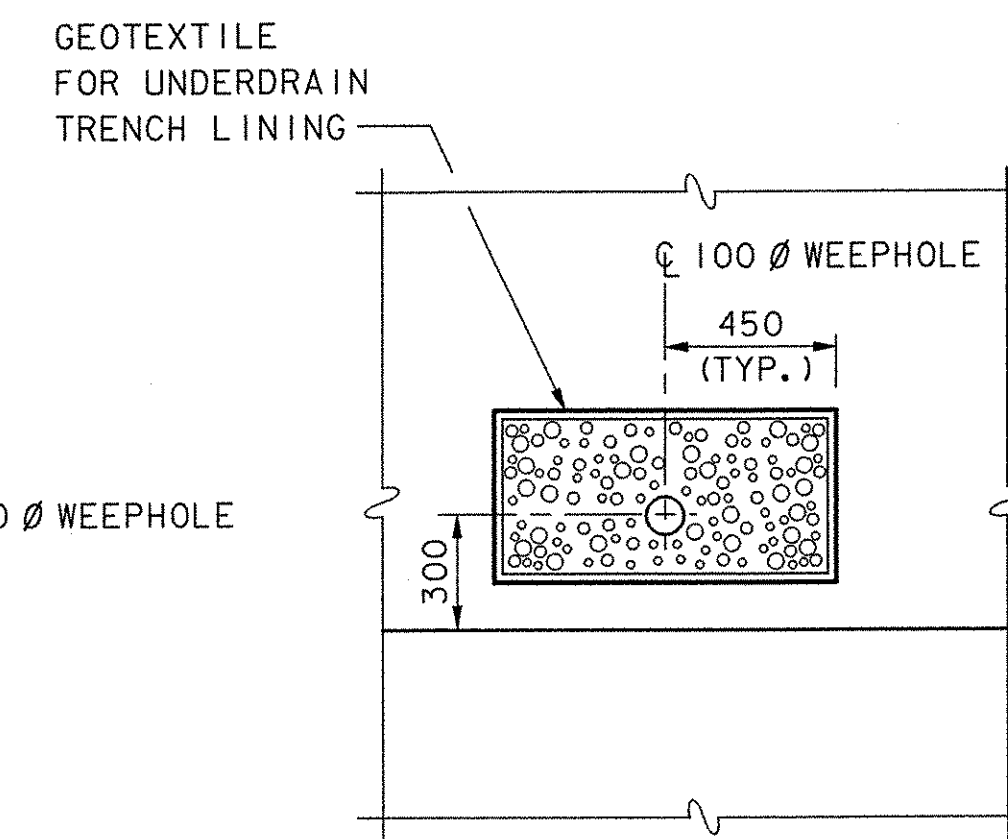


**SECTION B-B**  
(WW #2 SHOWN, WW #1 SIMILAR)  
(VERTICAL REINFORCING NOT SHOWN FOR CLARITY)  
SCALE: 1:20

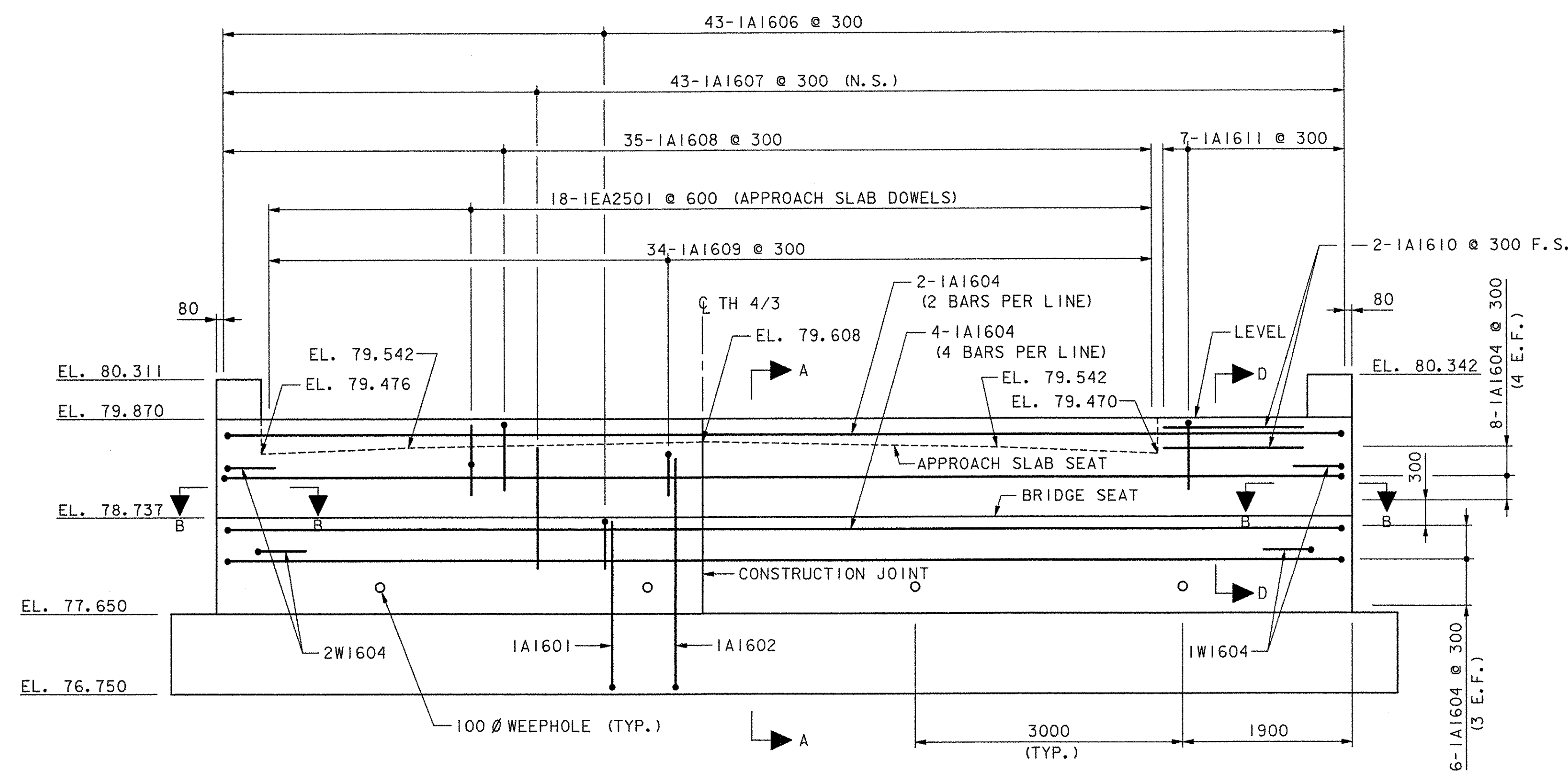
450 X 450 X 900 UNDERDRAIN  
BACKFILL WRAPPED WITH "GEOTEXTILE  
FOR UNDERDRAIN TRENCH LINING".  
ALL COSTS FOR WEEPHOLES SHALL  
BE PAID UNDER ITEM 501.34



**TYPICAL WEEPHOLE DETAIL**  
SCALE: 1:20



**SECTION C-C**  
SCALE: 1:20



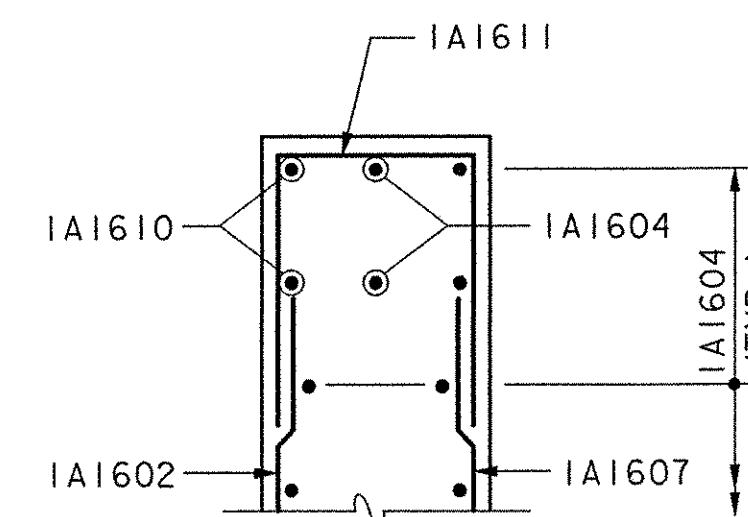
**ELEVATION**  
SCALE: 1:40



DATUM  
VERTICAL NAVD 88  
HORIZONTAL NAD 83 (92)

**REINFORCING KEY**

E.F. = EACH FACE  
N.S. = NEAR SIDE  
F.S. = FAR SIDE



**SECTION D-D**  
SCALE: 1:20



**NOTE:**

1. ALL FOOTING REINFORCING NOT SHOWN FOR CLARITY.
2. SEE SHEET 16 FOR UNDERDRAIN BACKFILL MATERIAL.

**STATE OF VERMONT  
AGENCY OF TRANSPORTATION**

Town Of COLCHESTER-SOUTH BURLINGTON	Bridge No. 6
Highway No. TH 4/3	Log Sta.
	Surv. Sta.
TH 4/3 OVER WINOOSKI RIVER & N.E.C.R.	
<b>ABUTMENT NO.1</b>	
Designed By J.T. KLEIN	Drawn By K.D. WENTWORTH
Checked By Date	Bridge Design Supervisor
K.G. KRETSCH 4/05	S.M. GUNN Date 4/05
PROJECT COLCHESTER-SOUTH BURLINGTON	PROJECT NO. BRM 5600 (6) S C/2
I.G.C. Info.	
Bridge Sheet No. ZD139A1	Sheet 66 of 124