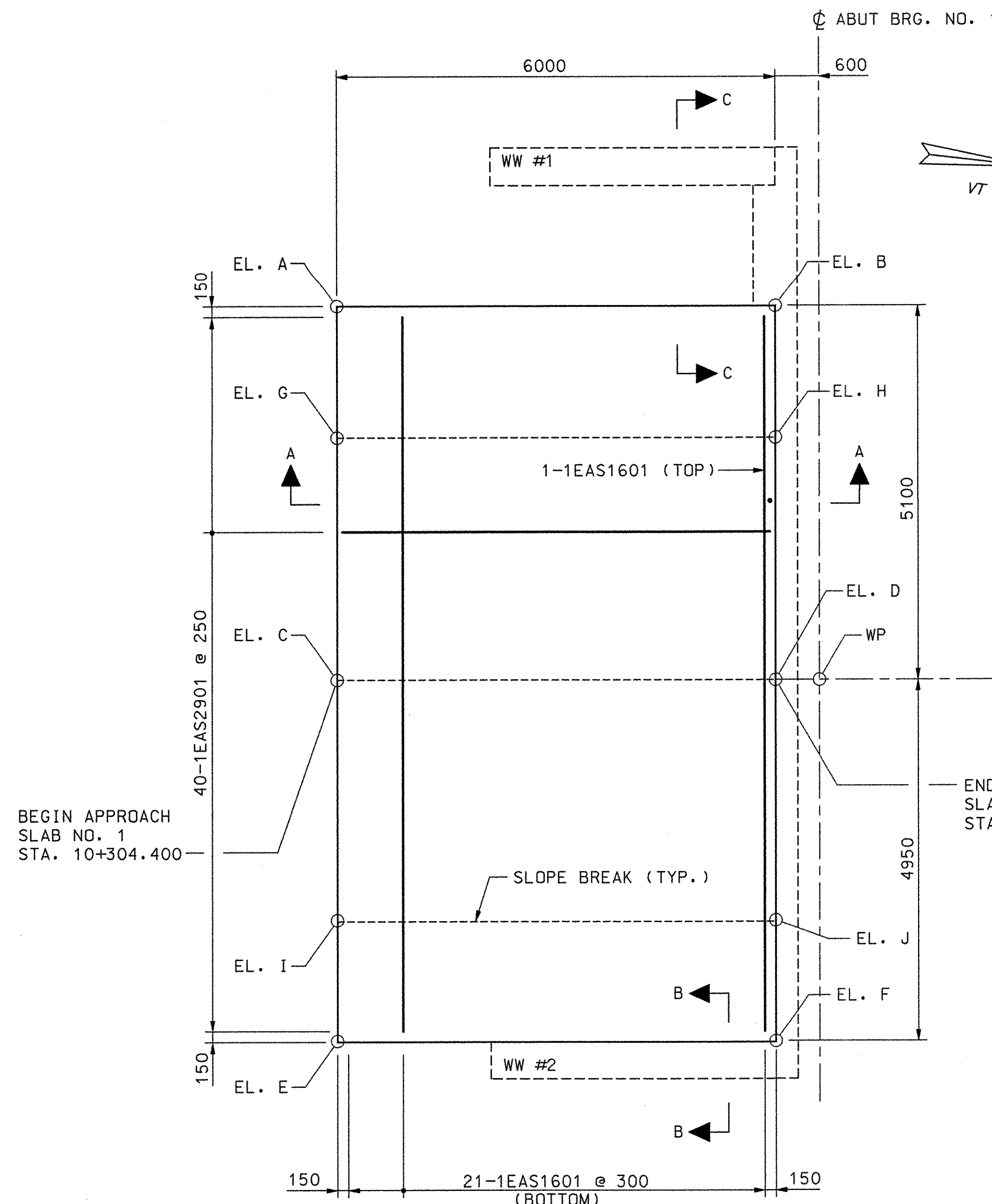
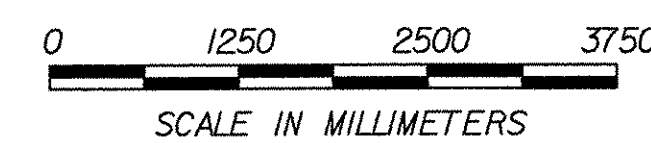


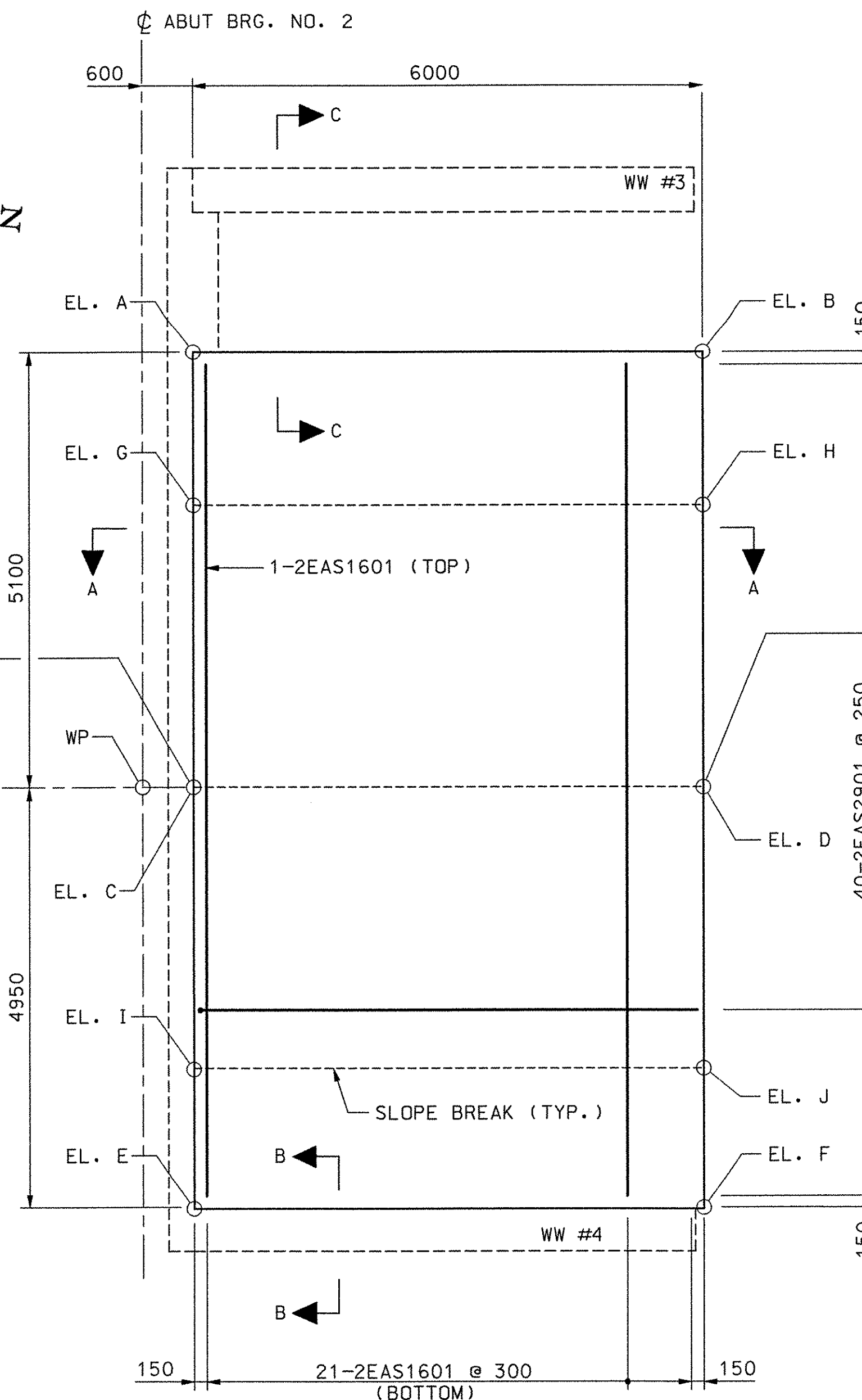
TOP OF APPROACH SLAB ELEVATIONS		
EL.	SLAB NO. 1	SLAB NO. 2
A	79.727	84.090
B	79.997	84.360
C	79.865	84.228
D	80.135	84.498
E	79.733	84.096
F	80.003	84.366
G	79.799	84.162
H	80.069	84.432
I	79.799	84.162
J	80.069	84.432



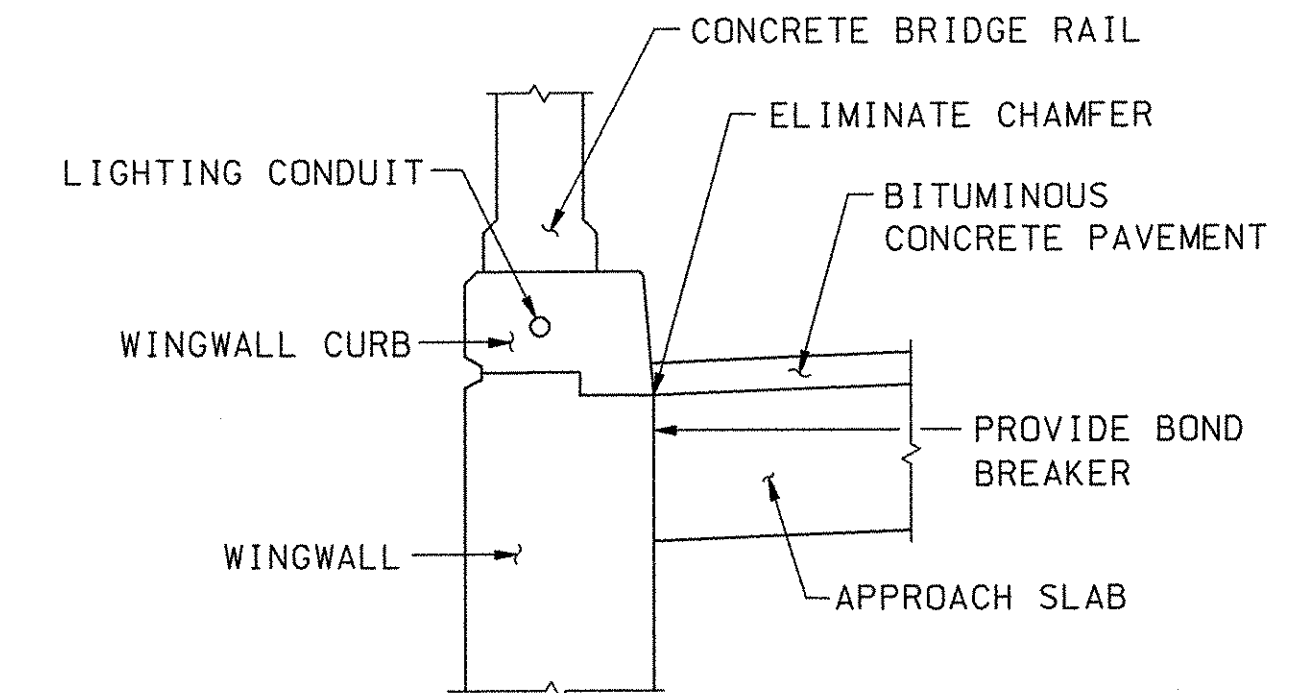
**APPROACH SLAB NO. 1**  
SCALE: 1:50



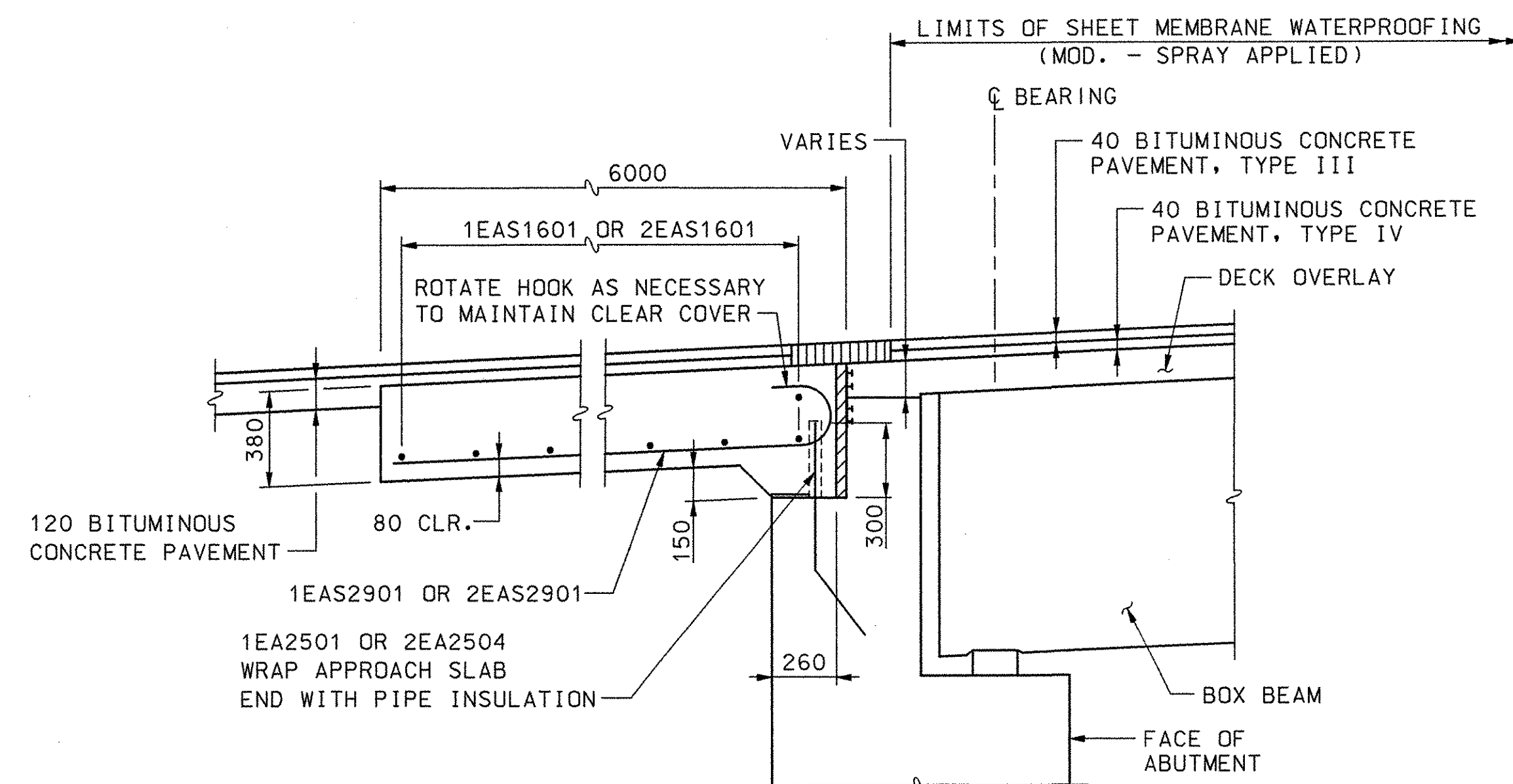
SCALE IN MILLIMETERS



**APPROACH SLAB NO. 2**  
SCALE: 1:50



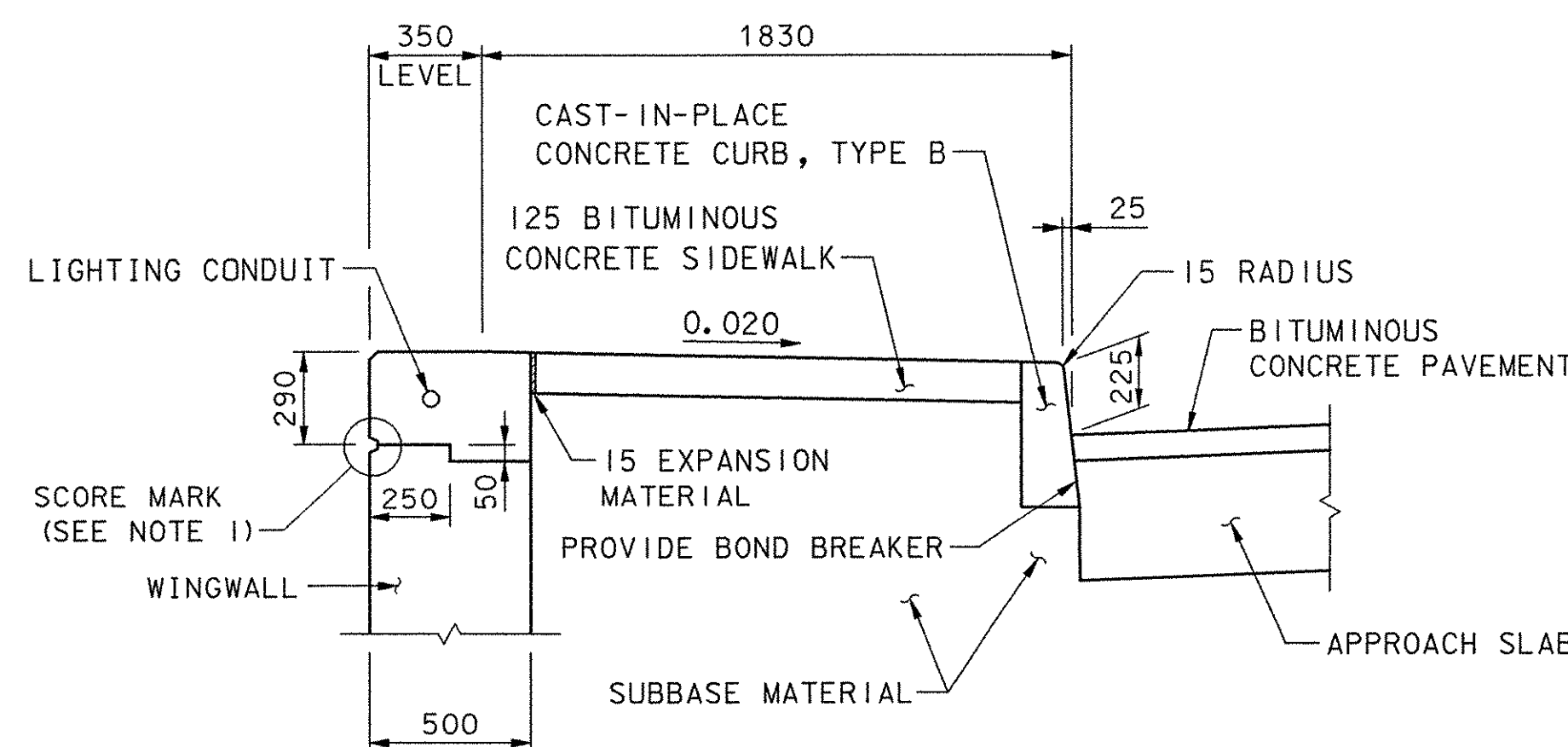
**SECTION B-B**  
SCALE: 1:20



**SECTION A-A**  
SCALE: 1:20



SCALE IN MILLIMETERS



**SECTION C-C**  
SCALE: 1:20

**NOTE:**

- SEE SHEET 55 FOR SCORE MARK DETAIL.

DATUM  
VERTICAL NAVD 88  
HORIZONTAL NAD 83 (92)

**STATE OF VERMONT  
AGENCY OF TRANSPORTATION**

Town Of COLCHESTER-SOUTH BURLINGTON	Bridge No. 6
Highway No. TH 4/3	Log Sta. Surv. Sta.
TH 4/3 OVER WINDOOSKI RIVER & N.E.C.R.	
<b>APPROACH SLABS</b>	
Designed By J.T. KLEIN	Drawn By K.D. WENTWORTH
Checked By M.A. COLGAN	Date 4/05
Bridge Design Supervisor S.M. GUNN Date 4/05	
PROJECT COLCHESTER-SOUTH BURLINGTON	PROJECT NO. BRM 5600 (6) S C/2
I.G.C. Info.	
Bridge Sheet No. ZD139AS1	Sheet 64 of 124

**VHB Vanasse Hangen Brustlin, Inc.**