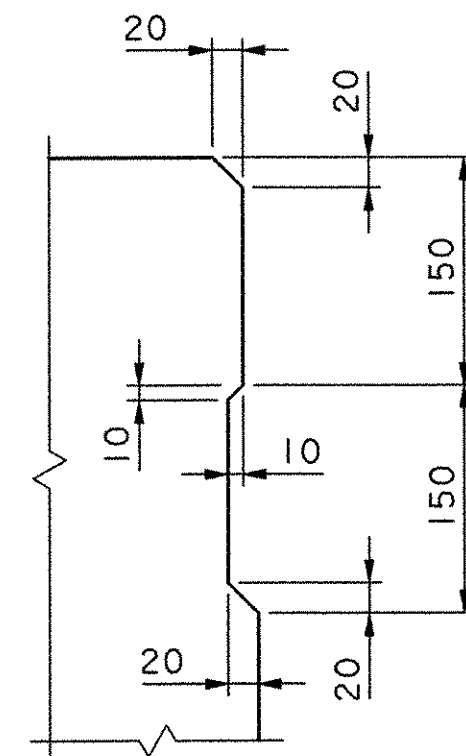
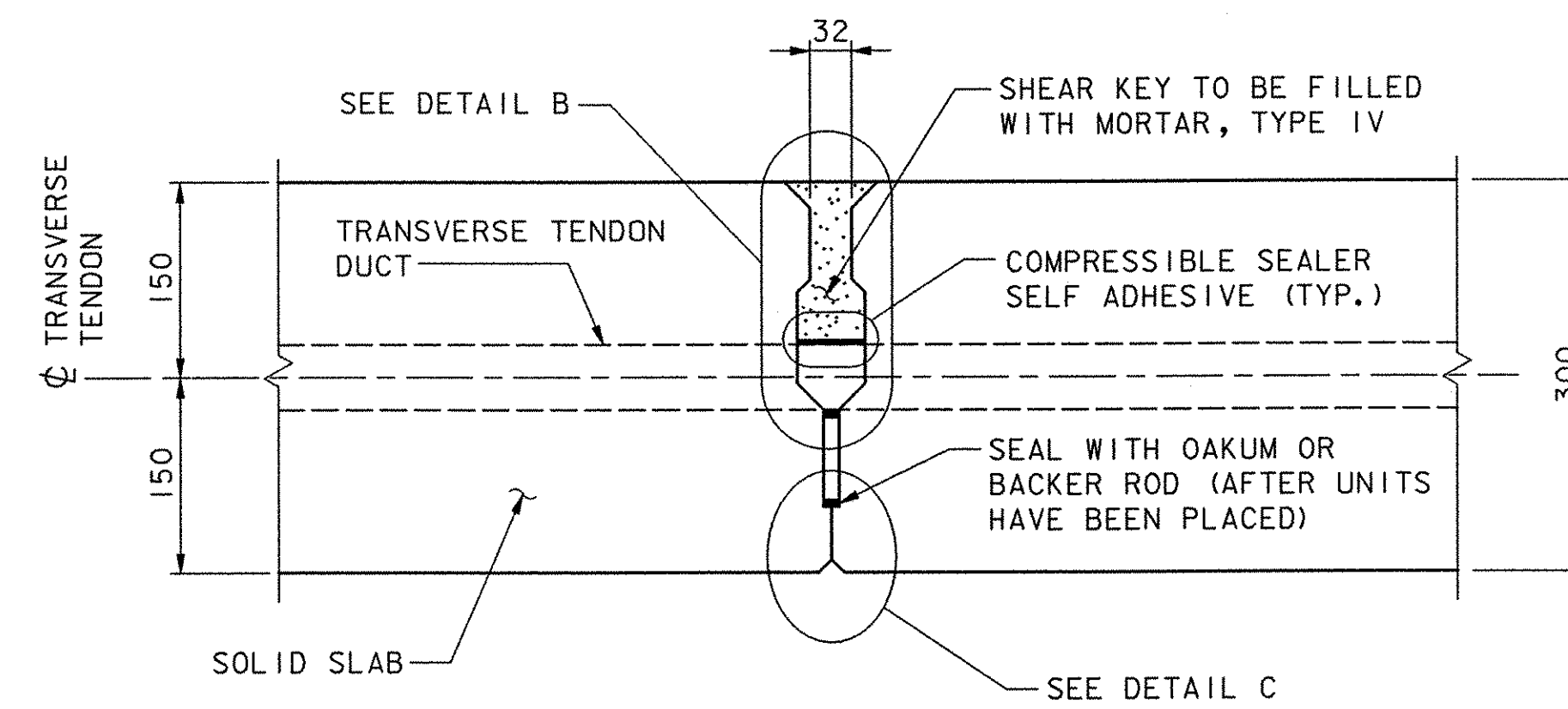


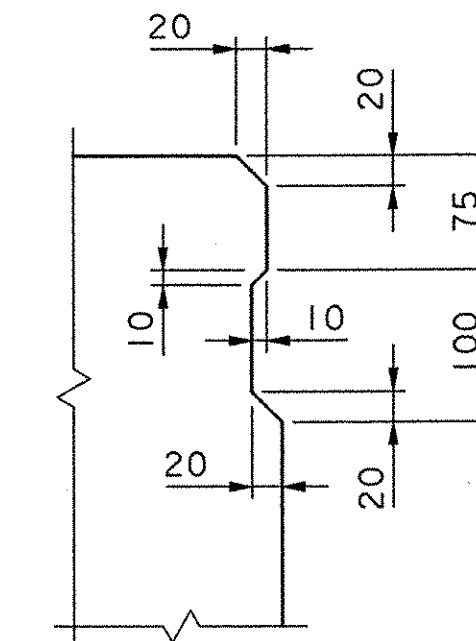
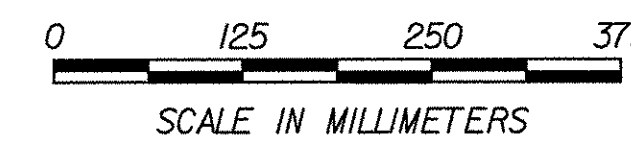
BOX BEAM SHEAR KEY
SCALE 1:10



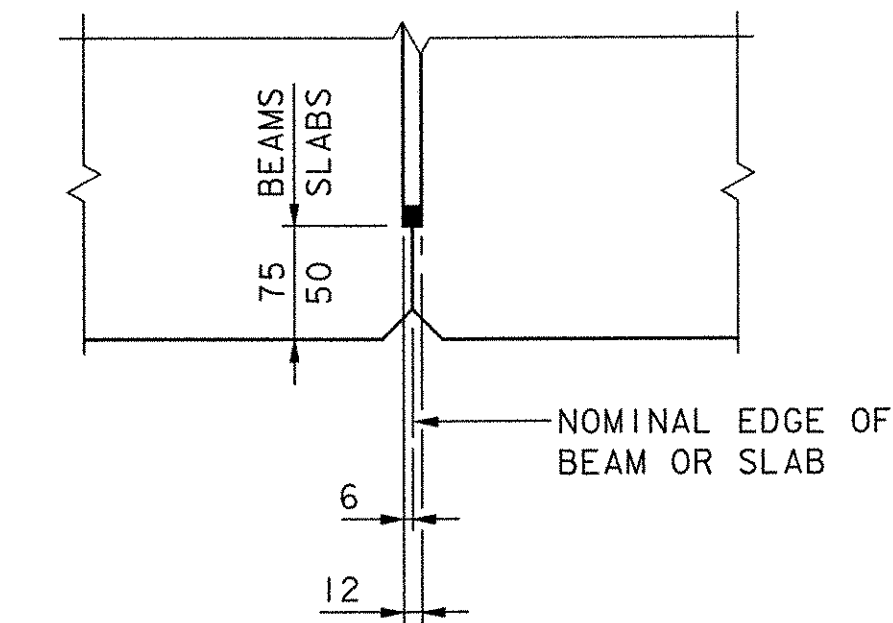
DETAIL A
SCALE 1:5



SOLID SLAB SHEAR KEY
(AT INTERIOR FACES OF SLABS ONLY)
SCALE 1:5



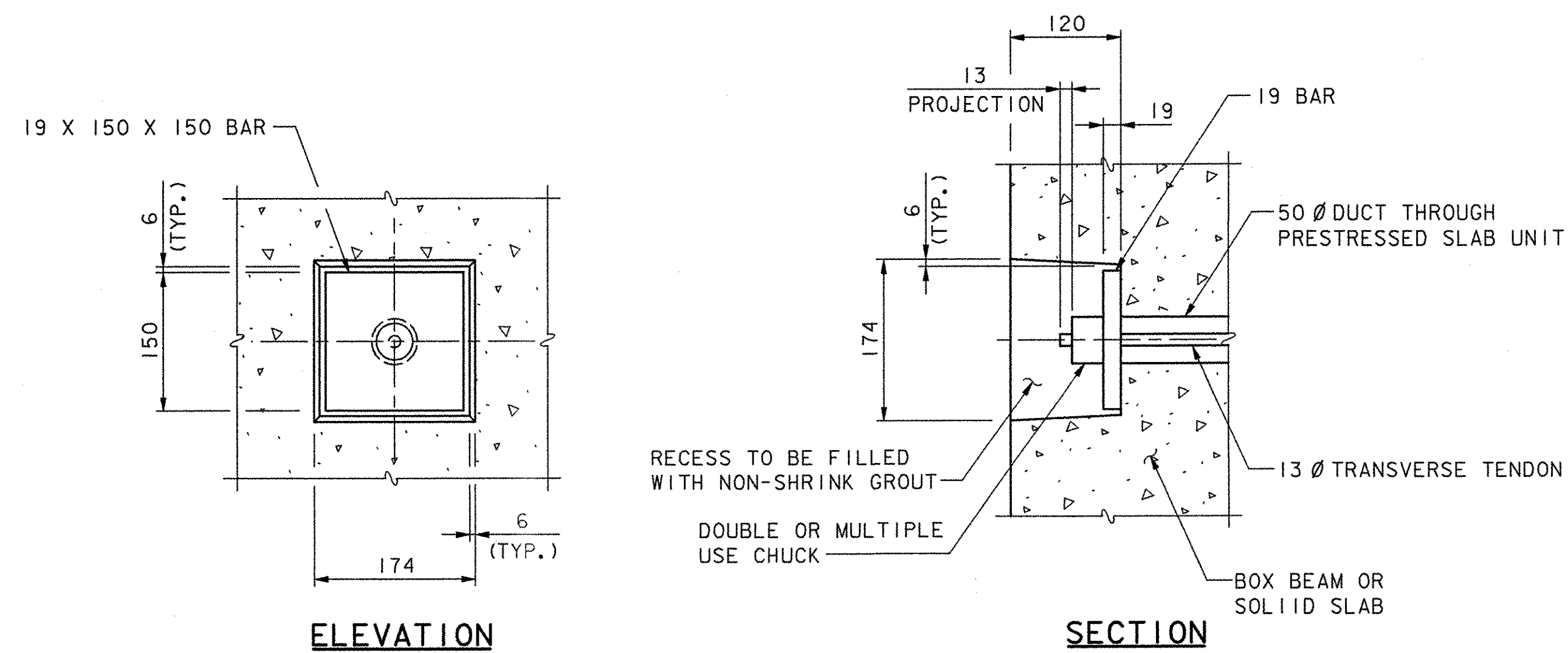
DETAIL B
SCALE 1:5



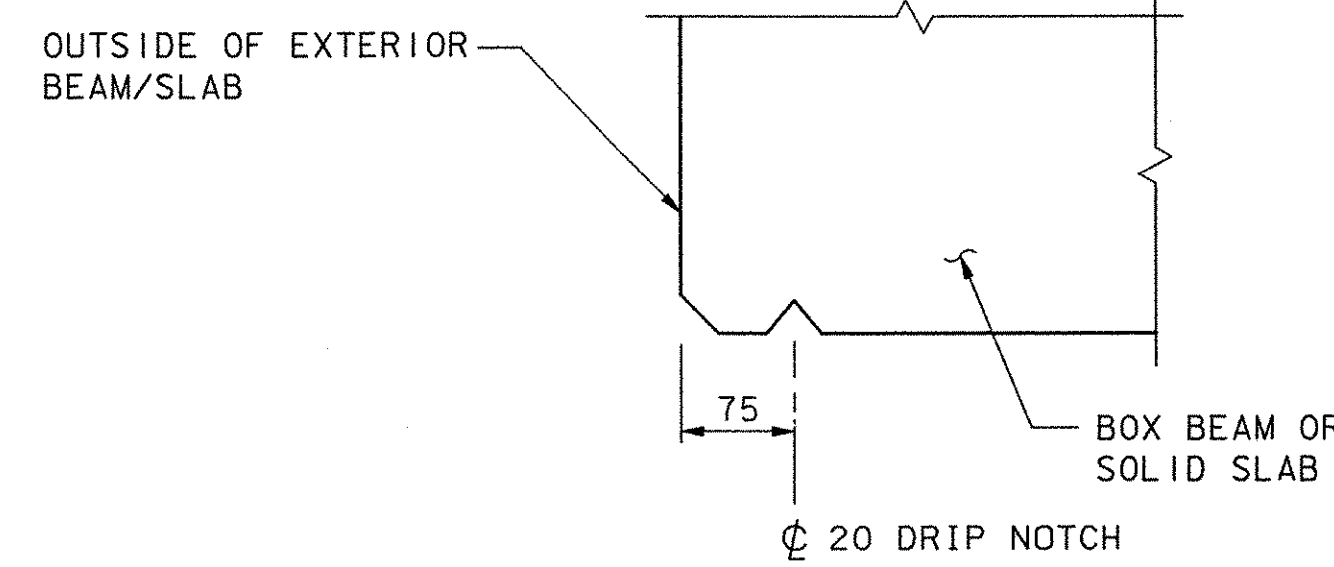
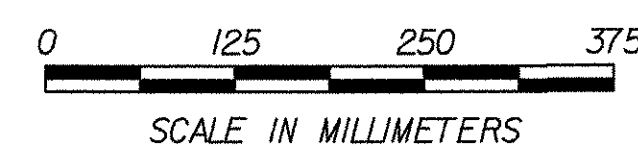
DETAIL C
SCALE: 1:5

NOTE:

1. THE TRANSVERSE TENDON SHALL BE COVERED BY A SEAMLESS POLYPROPYLENE SHEATH WITH CORROSION INHIBITOR GREASE BETWEEN THE SHEATH AND THE STRAND FOR THE LENGTH OF THE STRAND.



TRANSVERSE TENDON DETAIL
SCALE: 1:5



DRIP NOTCH DETAIL
SCALE: 1:5

**STATE OF VERMONT
AGENCY OF TRANSPORTATION**

Town Of COLCHESTER-SOUTH BURLINGTON	Bridge No. 6
Highway No. TH 4/3	Log Sta. Surv. Sta.
TH 4/3 OVER WINOOSKI RIVER & N. E. C. R.	
BOX BEAM & SOLID SLAB DETAILS	
Designed By M. A. COLGAN	Drawn By B. J. MASSE
Checked By M. A. COLGAN	Date 4/05
Bridge Design Supervisor S. M. GUNN Date 4/05	
PROJECT COLCHESTER-SOUTH BURLINGTON	PROJECT NO. BRM 5600 (6) S C/2
I.G.C. Info.	
Bridge Sheet No. ZD139DT2	Sheet 62 of 124