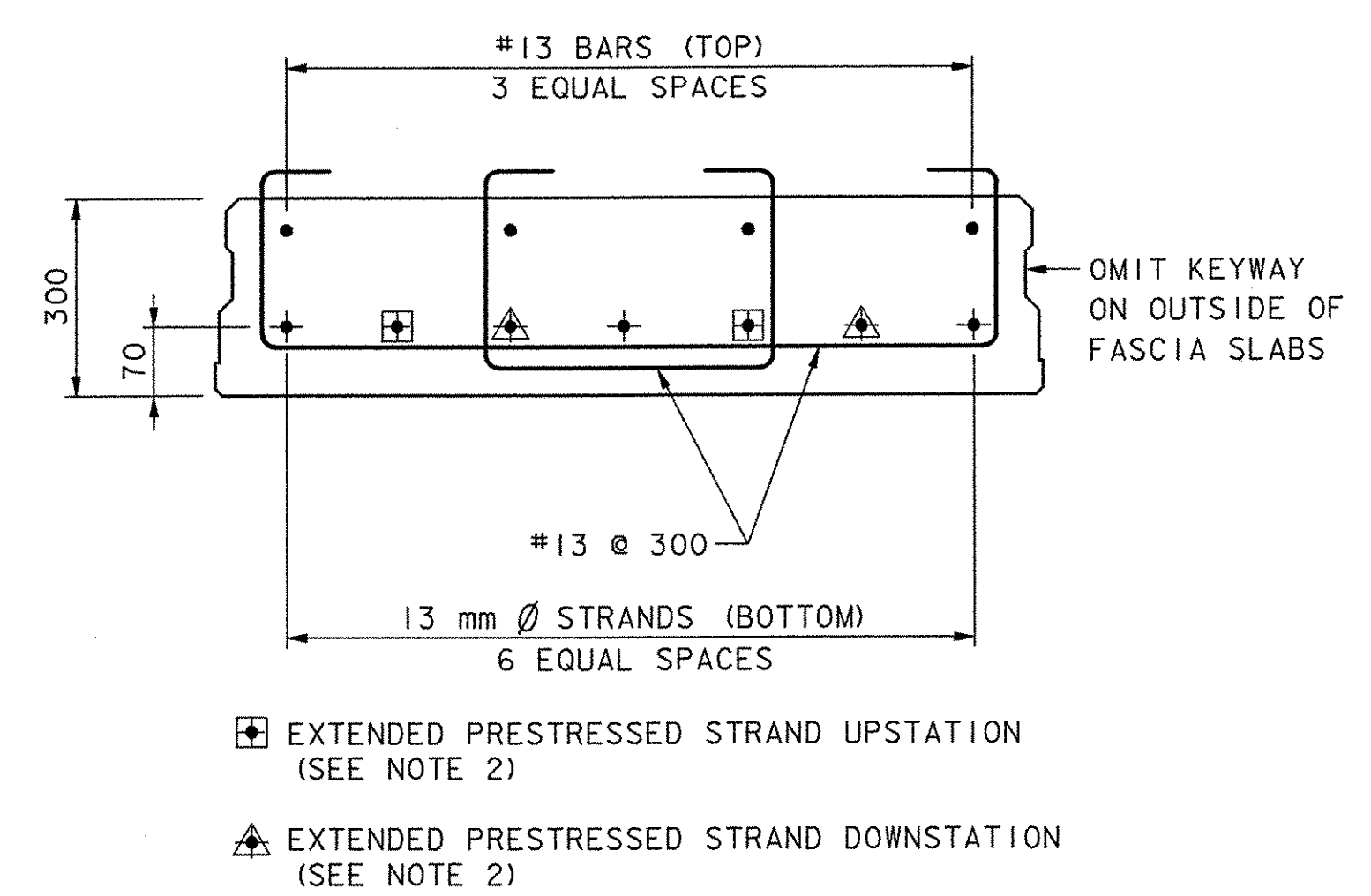
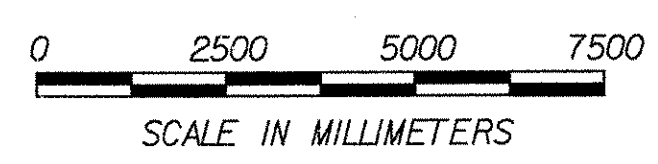
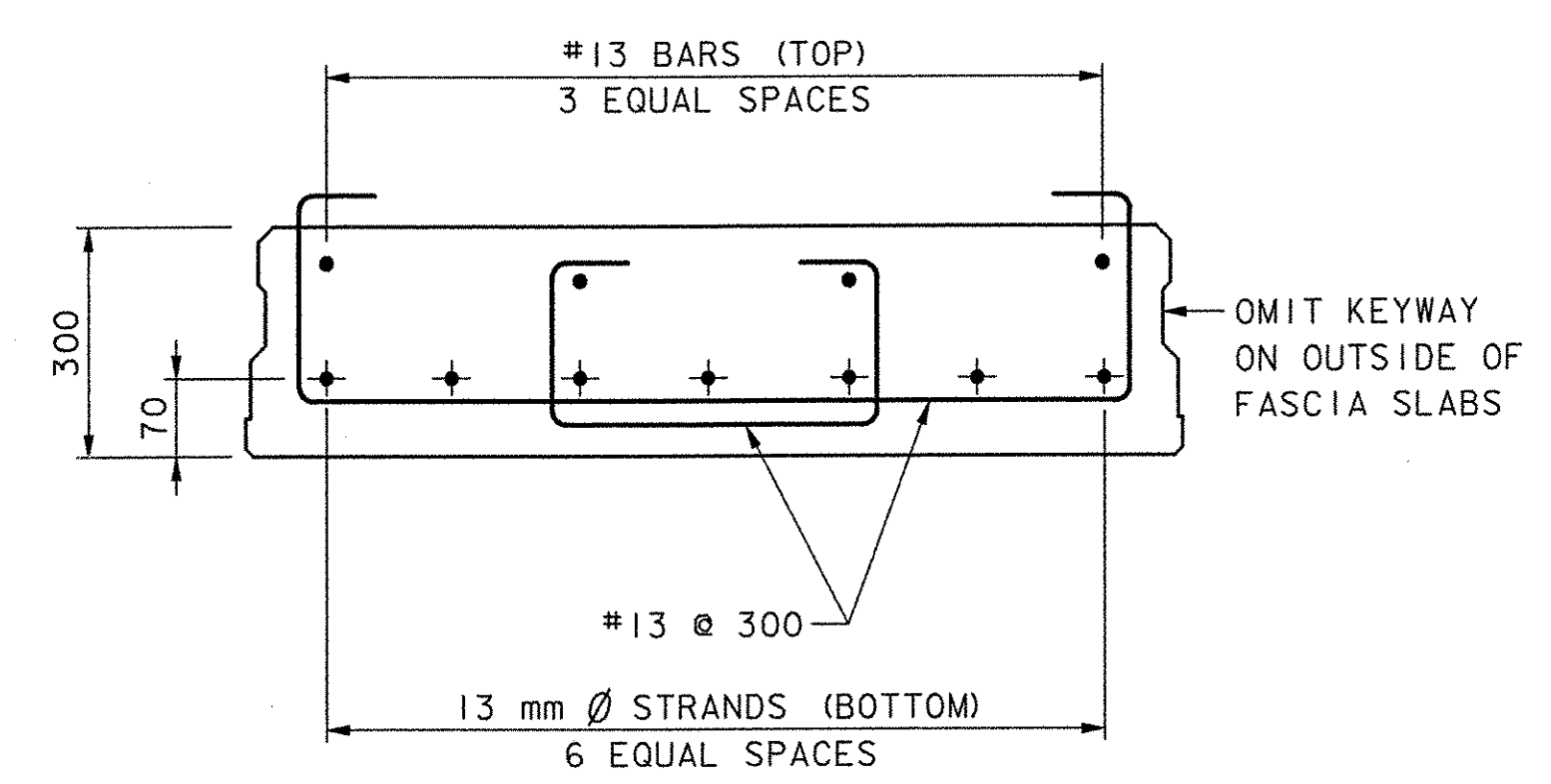


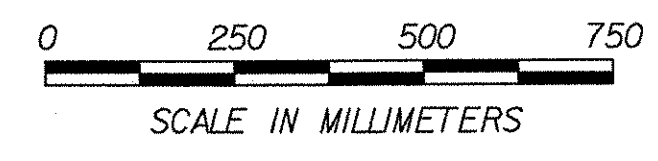
SOLID SLAB FRAMING PLAN - SPAN 2-7
SCALE: 1:100



SECTION A-A
SCALE: 1:10

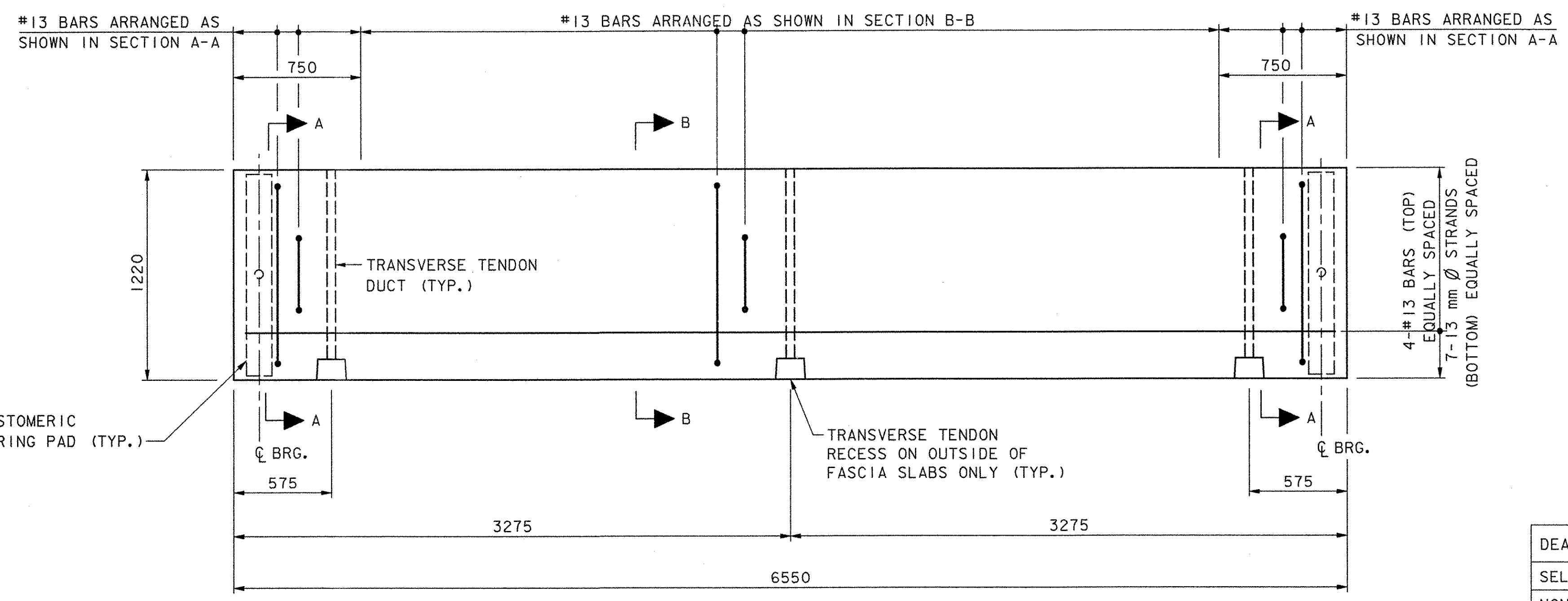


SECTION B-B
SCALE: 1:10

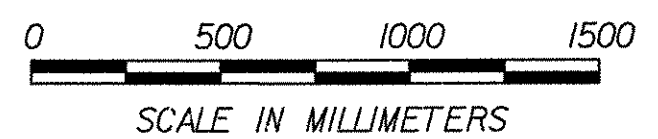


NOTES:

- SEE SHEET 62 FOR ADDITIONAL DETAILS.
- EXTEND TOP #13 REINFORCING AND PRESTRESSED STRANDS 150 mm INTO CAST-IN-PLACE DIAPHRAGM AT PIERS 2-6 AND TURN VERTICAL 200 mm AS SHOWN IN TYPICAL LONGITUDINAL SECTION ON SHEET 57.



SOLID SLAB PLAN
SCALE: 1:20



DEAD LOAD DEFLECTION AT MIDSPAN	
SELF WEIGHT	5
NON-COMPOSITE	-1
COMPOSITE	0
NET DEFLECTION	4

**STATE OF VERMONT
AGENCY OF TRANSPORTATION**

Town Of COLCHESTER-SOUTH BURLINGTON	Bridge No. 6
Highway No. TH 4/3	Log Sta. Surv. Sta.
TH 4/3 OVER WINOOSKI RIVER & N.E.C.R.	
SPANS 2-7 FRAMING PLAN	
Designed By K.G. KRETSCH	Drawn By B.J. MASSE
Checked By M.A. COLGAN	Date 4/05
Bridge Design Supervisor S.M. GUNN Date 4/05	
PROJECT COLCHESTER-SOUTH BURLINGTON	PROJECT NO. BRM 5600 (6) S C/2
I.G.C. Info.	
Bridge Sheet No. ZD139SS2	Sheet 59 of 124

DATUM
VERTICAL NAVD 88
HORIZONTAL NAD 83 (92)