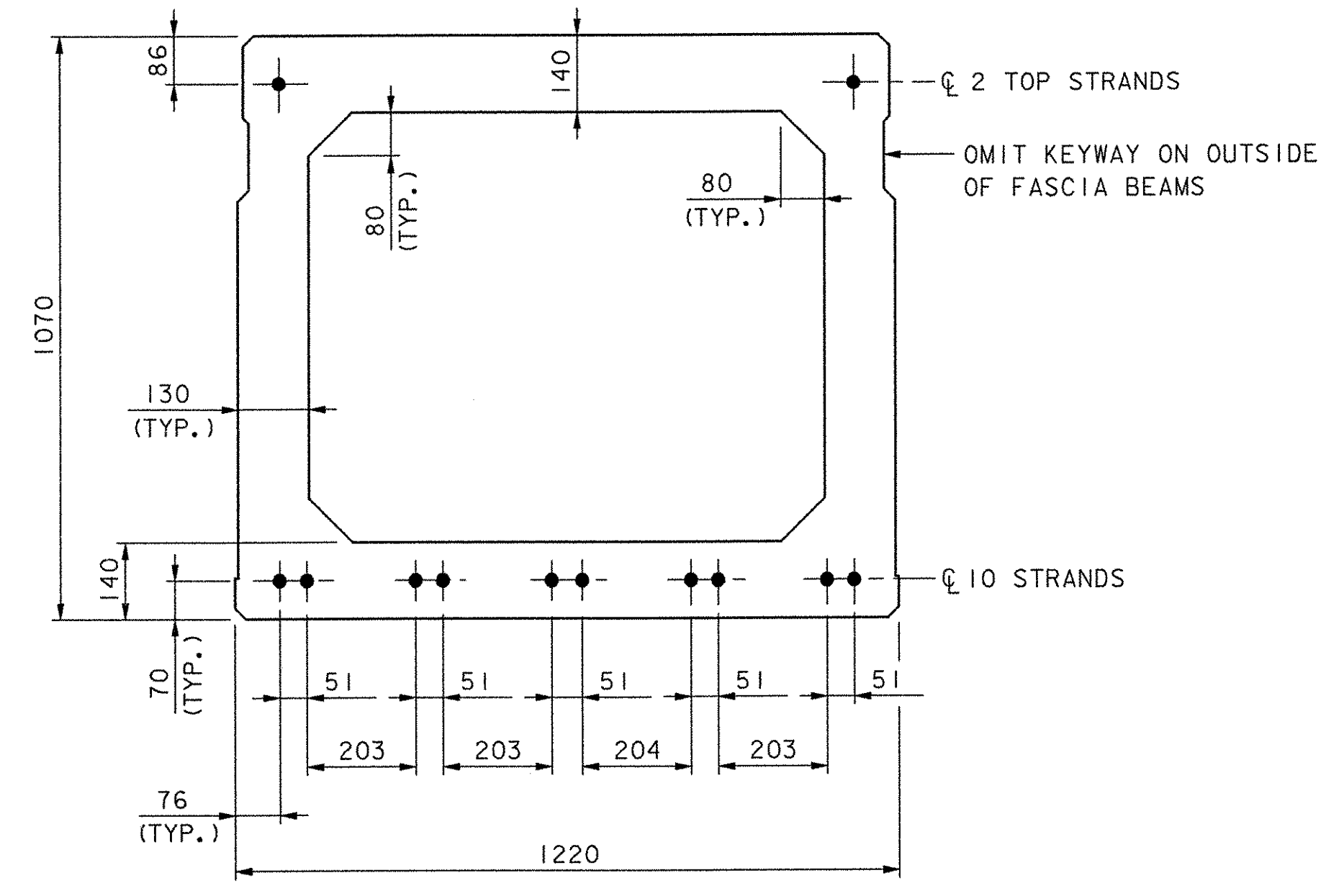
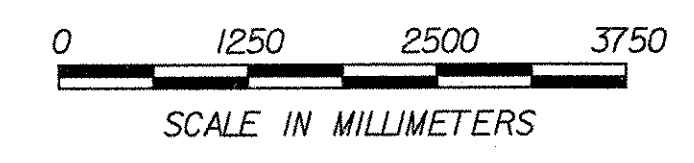
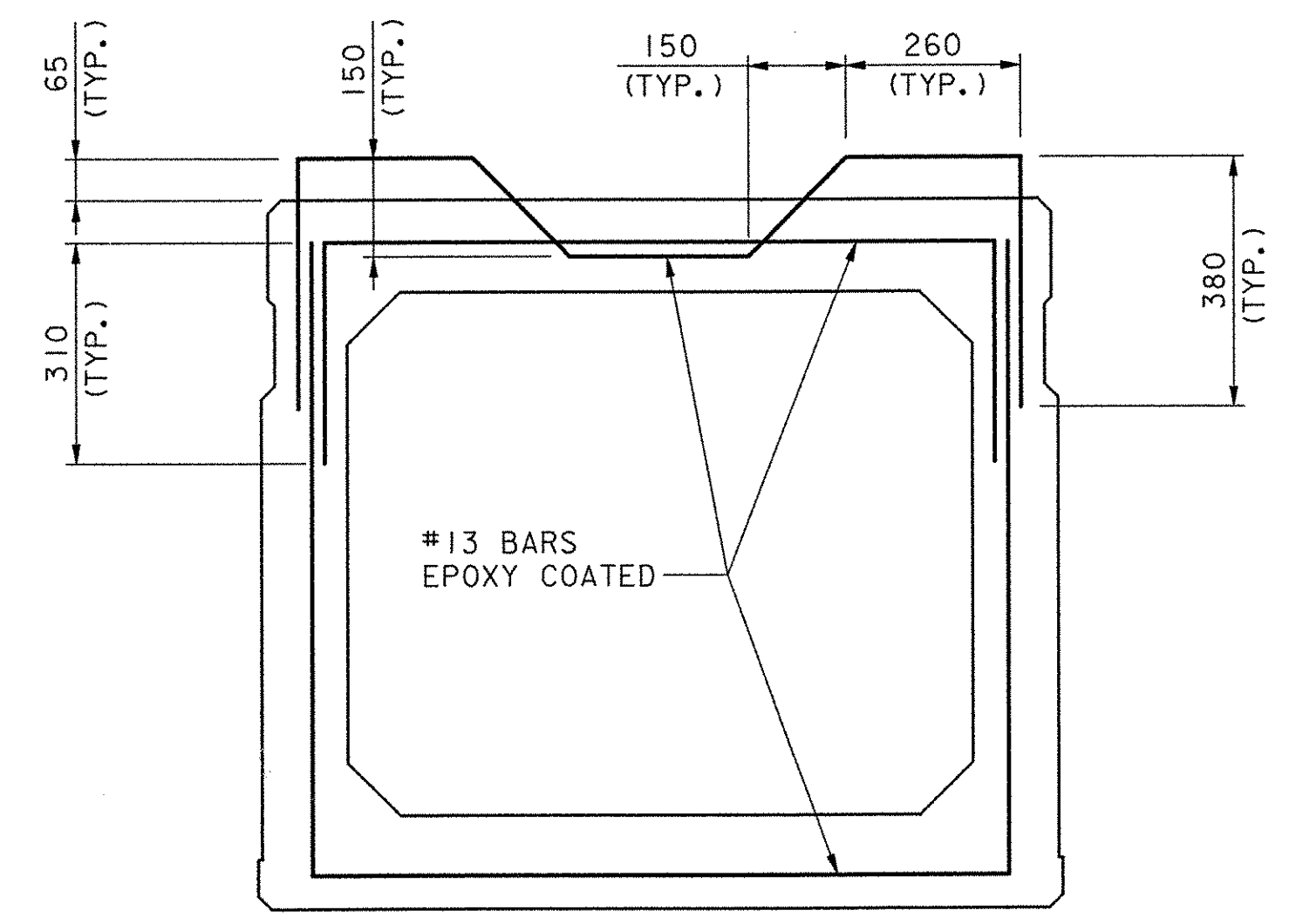


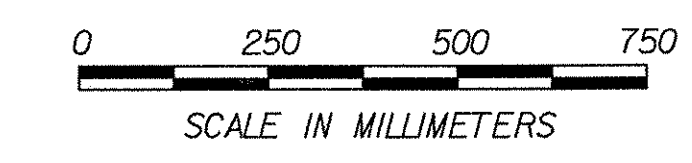
BOX BEAM FRAMING PLAN - SPAN 1
SCALE: 1:50



TYPICAL SECTION - STRAND LAYOUT
SCALE: 1:10



TYPICAL SECTION - REINFORCING
SCALE: 1:10



DEAD LOAD DEFLECTION AT MIDSPAN	
SELF WEIGHT	14
NON-COMPOSITE	-3
COMPOSITE	-2
NET DEFLECTION	9

- NOTE:**
1. SEE SHEET 62 FOR TRANSVERSE TENDON DETAIL.
 2. SEE SHEET 61 AND 62 FOR ADDITIONAL DETAILS.

DATUM
VERTICAL NAVD 88
HORIZONTAL NAD 83 (92)

VHB Vanasse Hangen Brustlin, Inc.

**STATE OF VERMONT
AGENCY OF TRANSPORTATION**

Town Of COLCHESTER-SOUTH BURLINGTON	Bridge No. 6
Highway No. TH 4/3	Log Sta. Surv. Sta.
TH 4/3 OVER WINOOSKI RIVER & N.E.C.R.	
SPAN 1 FRAMING PLAN	
Designed By J.T. KLEIN	Drawn By B.J. MASSE
Checked By M.A. COLGAN	Date 4/05
S.M. GUNN Date 4/05	
PROJECT COLCHESTER-SOUTH BURLINGTON	PROJECT NO. BRM 5600 (6) S C/2
I.G.C. Info.	
Bridge Sheet No. ZD139SS1	Sheet 58 of 124