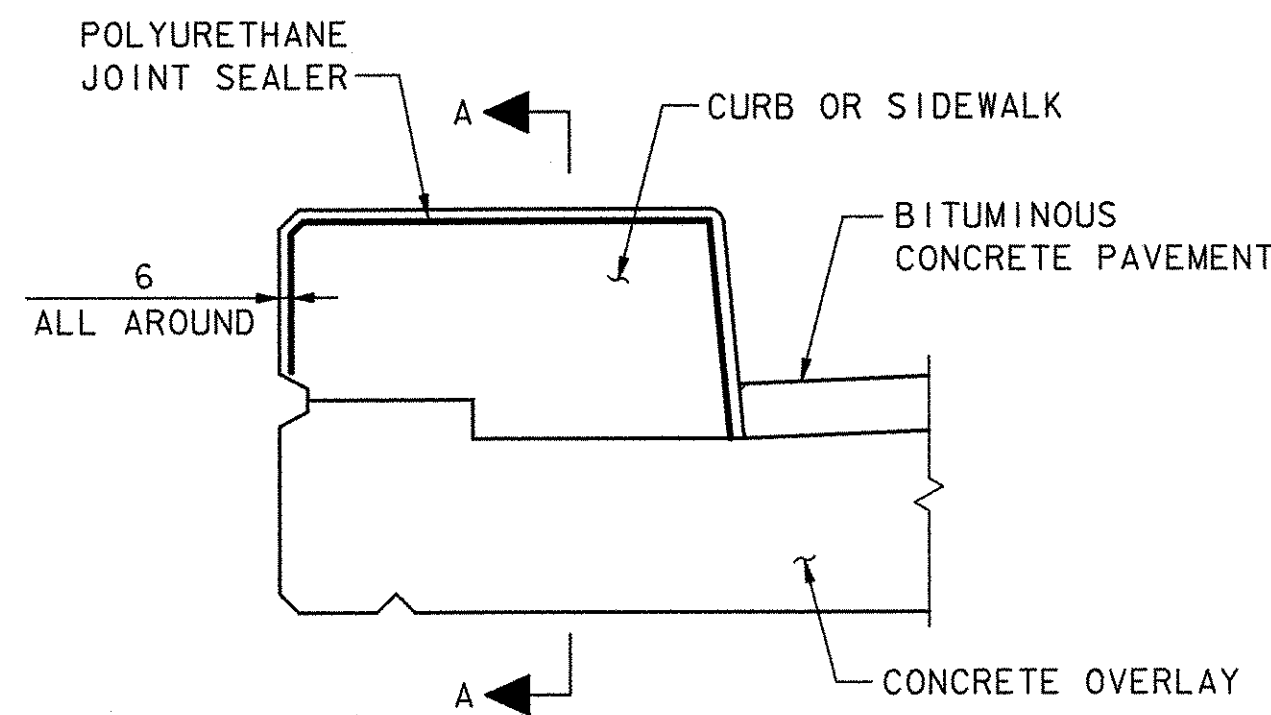


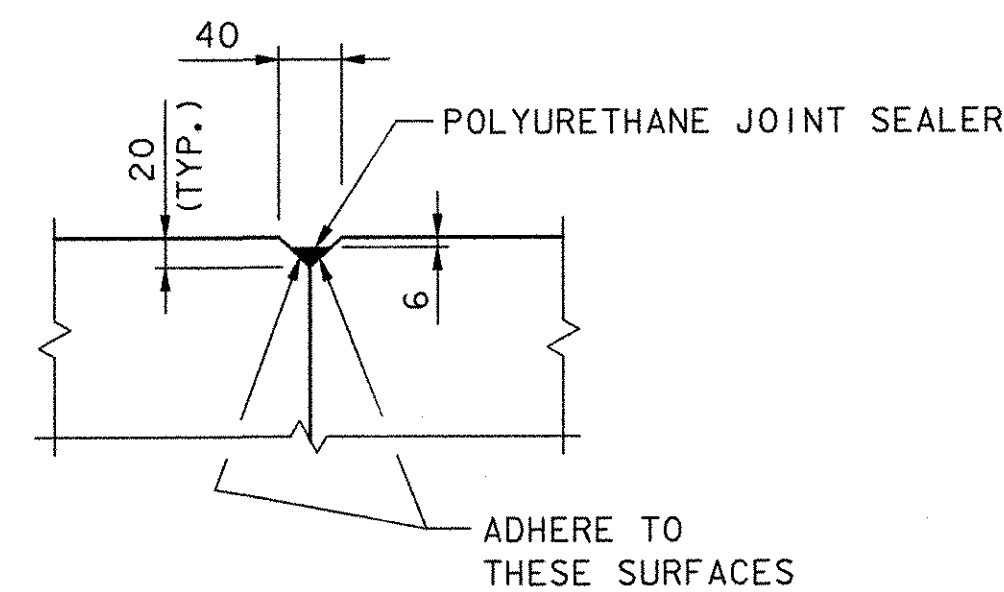
**SECTION A-A**

**CONSTRUCTION JOINT NOTES:**

1. CONCRETE CONSTRUCTION JOINTS SHALL BE SPACED TO COINCIDE WITH BRIDGE RAIL PILASTERS (SEE SHEET 81 FOR PILASTER SPACING). CONCRETE SHALL BE PLACED IN ALTERNATING SECTIONS WITH A MINIMUM OF 48 HOURS BETWEEN ADJACENT POURS.
2. LONGITUDINAL REINFORCING SHALL PASS THROUGH CONCRETE CURB CONSTRUCTION JOINTS UNLESS OTHERWISE SHOWN.
3. POLYURETHANE JOINT SEALER, PER SUBSECTION 524.06 (d), SHALL MATCH THE CONCRETE COLOR. COST TO BE INCLUDED IN THE UNIT PRICE BID FOR CONCRETE



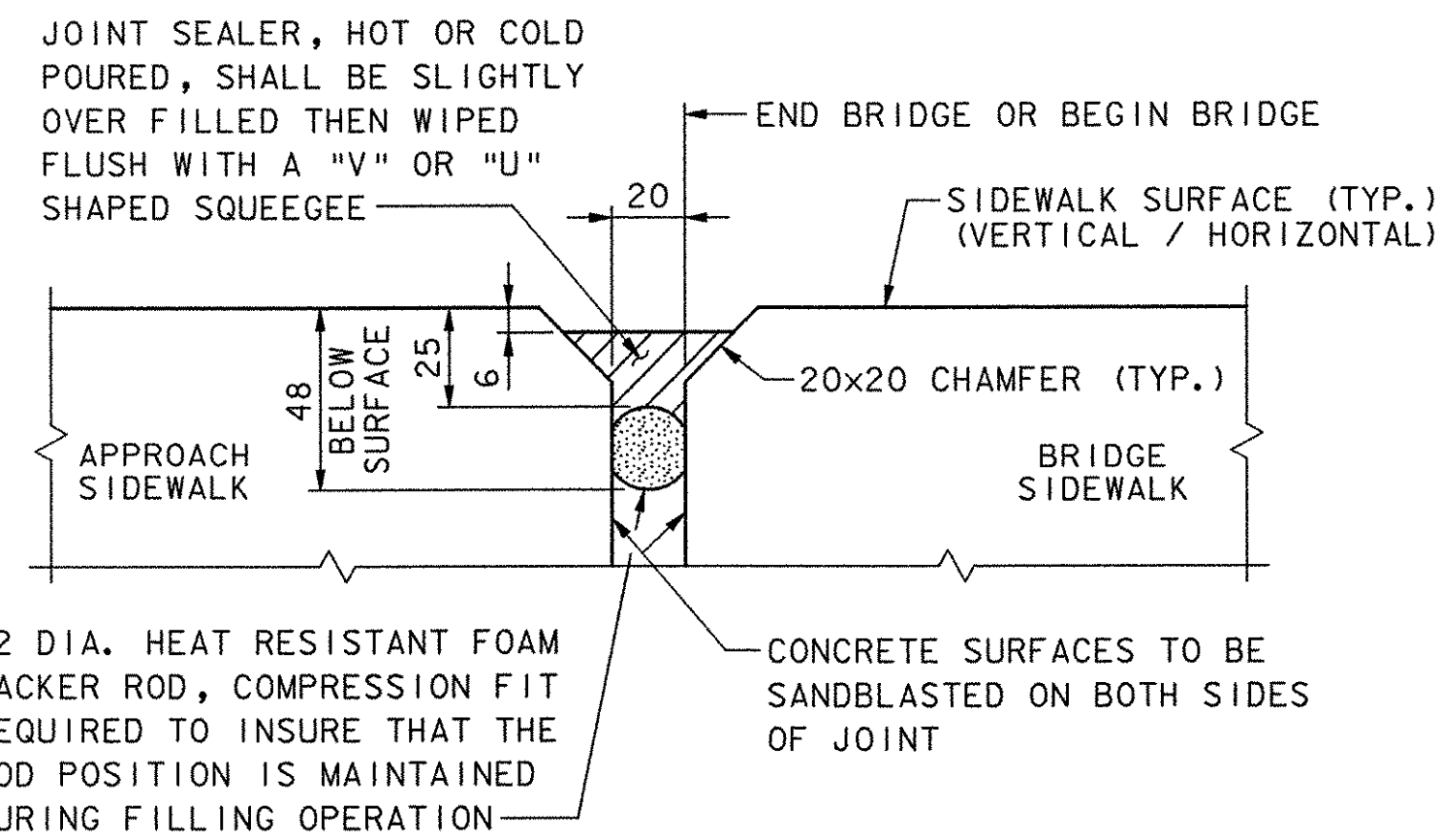
**TYPICAL SECTION**



**DETAIL A**

**CONCRETE CURB & SIDEWALK CONSTRUCTION JOINT**

NOT TO SCALE

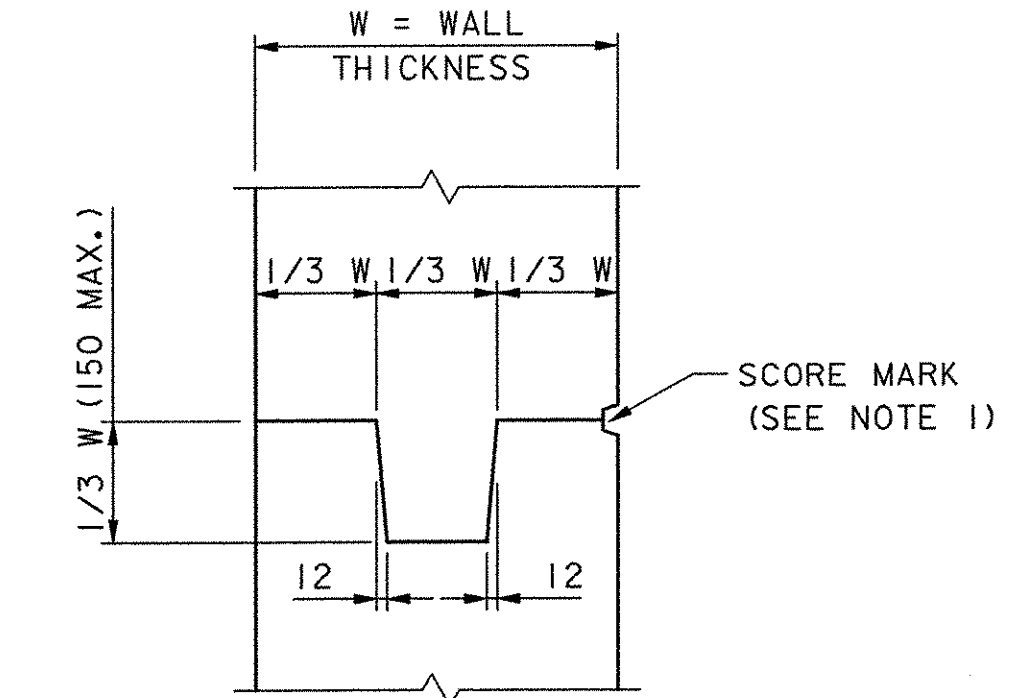


**NOTES:**

1. JOINT TO BE SEALED 24 HOURS PRIOR TO EXPOSURE TO GENERAL TRAFFIC, AND WITHIN 24 HOURS OF SAND BLASTING JOINT. SEE SPECIFICATION SECTION 524.
2. COST FOR SAND BLASTING AND FOR 22 DIA. BACKER ROD SHALL BE SUBSIDIARY TO UNIT PRICE FOR JOINT SEALER.
3. JOINT DETAIL SHALL APPLY FOR VERTICAL AND HORIZONTAL SURFACES OF JOINT.
4. ALL MATERIALS AND LABOR FOR SIDEWALK JOINT SHALL BE PAID FOR UNDER THE ITEM 524.11, "JOINT SEALER, HOT Poured", OR 524.13, "JOINT SEALER, COLD Poured".

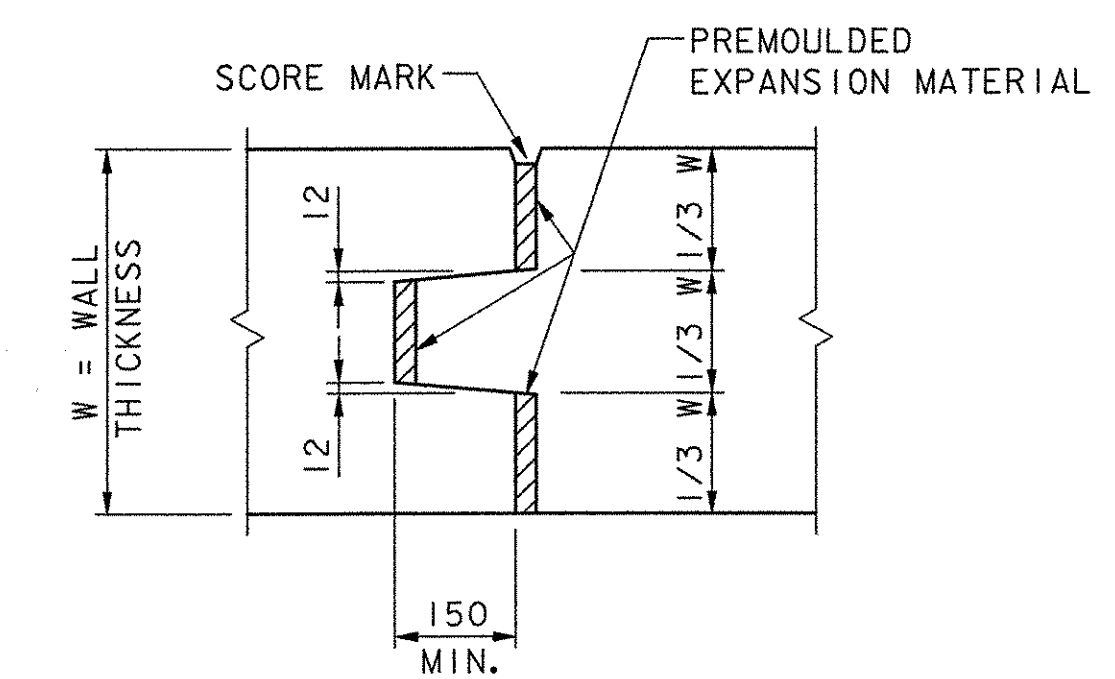
**SIDEWALK EXPANSION JOINT DETAIL**

NOT TO SCALE



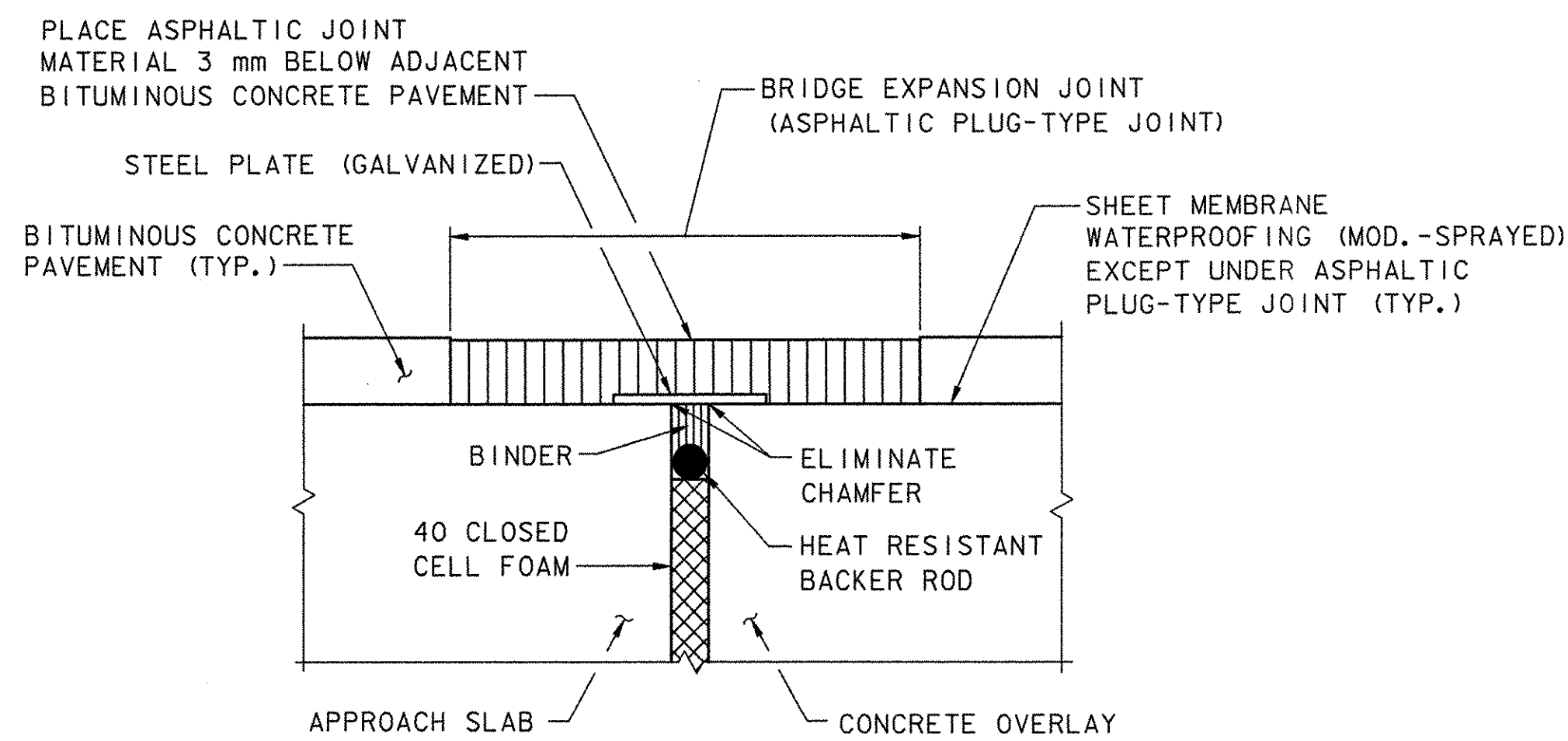
**TYPICAL CONCRETE CONSTRUCTION JOINT**

NOT TO SCALE



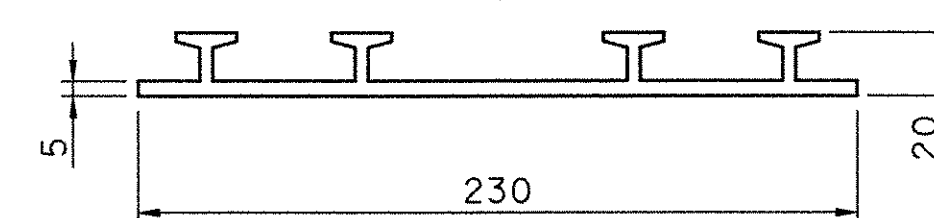
**TYPICAL CONCRETE EXPANSION JOINT**

NOT TO SCALE



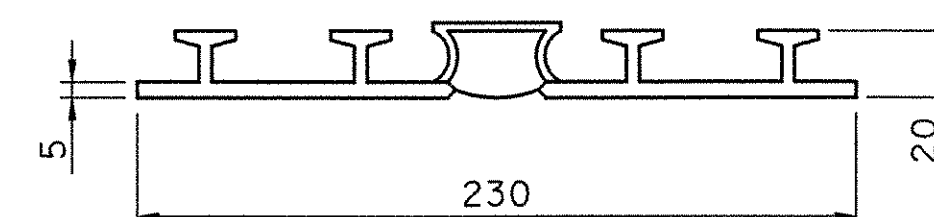
**ASPHALTIC PLUG TYPE JOINT DETAIL**

NOT TO SCALE



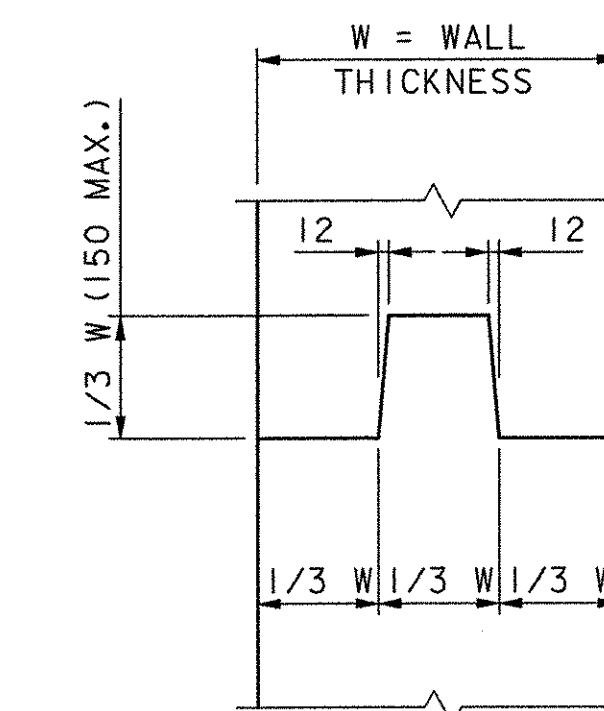
**P.V.C. WATERSTOP FOR CONSTRUCTION JOINTS**

NOT TO SCALE



**P.V.C. WATERSTOP FOR EXPANSION JOINTS**

NOT TO SCALE



**TYPICAL SHEAR KEY**

NOT TO SCALE

**NOTE:**

1. SEE SHEET 55 FOR SCORE MARK DETAIL.

**STATE OF VERMONT  
AGENCY OF TRANSPORTATION**

Town Of COLCHESTER-SOUTH BURLINGTON	Bridge No. 6
Highway No. TH 4/3	Log Sta. Surv. Sta.
TH 4/3 OVER WINOOSKI RIVER & N.E.C.R.	
<b>MISCELLANEOUS DETAILS (1 OF 2)</b>	
Designed By M. A. COLGAN	Drawn By B. J. MASSE
Checked By M. A. COLGAN	Bridge Design Supervisor
Date 4/05	S. M. GUNN Date 4/05
PROJECT COLCHESTER-SOUTH BURLINGTON	PROJECT NO. BRM 5600 (6) S C/2

I.G.C. Info.  
Bridge Sheet No. ZD139DT1 Sheet 53 of 124

DATUM  
VERTICAL NAVD 88  
HORIZONTAL NAD 83 (92)