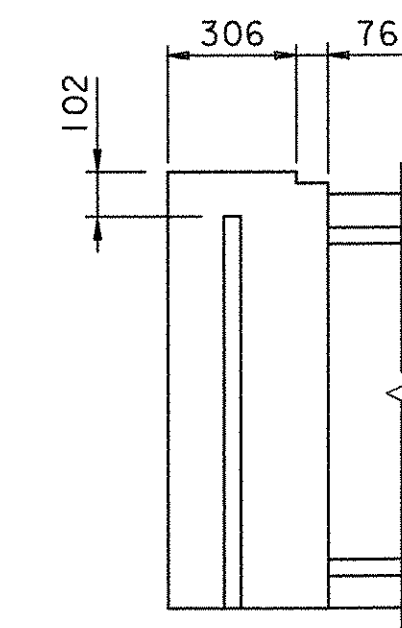
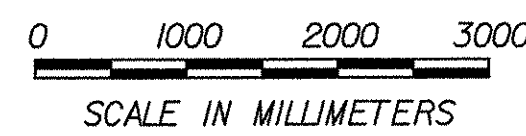


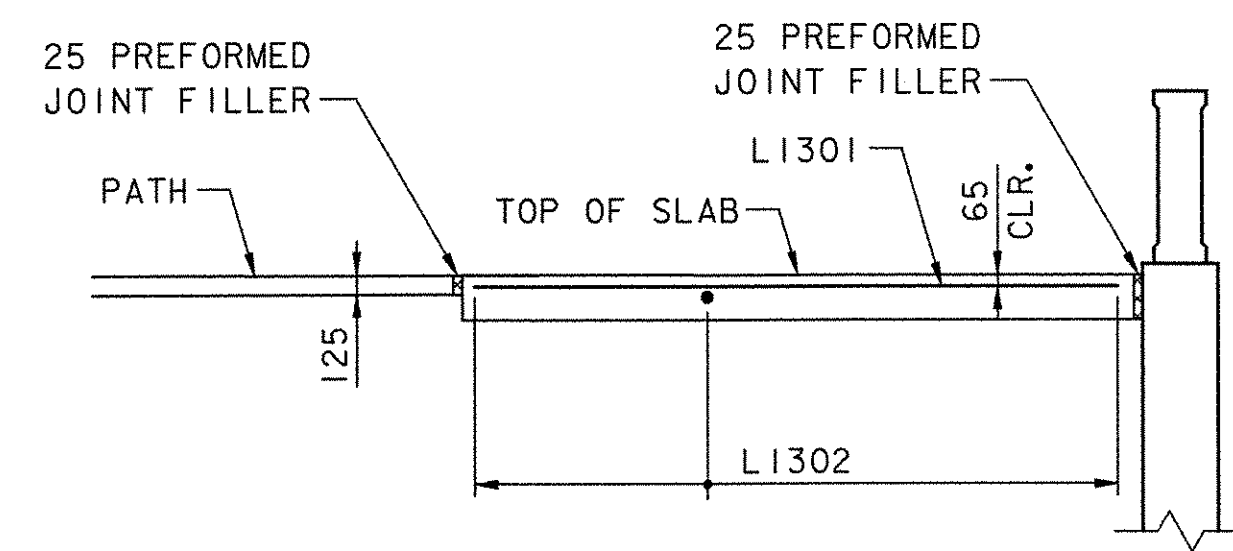
SLAB PLAN & REINFORCING

SCALE: 1:50



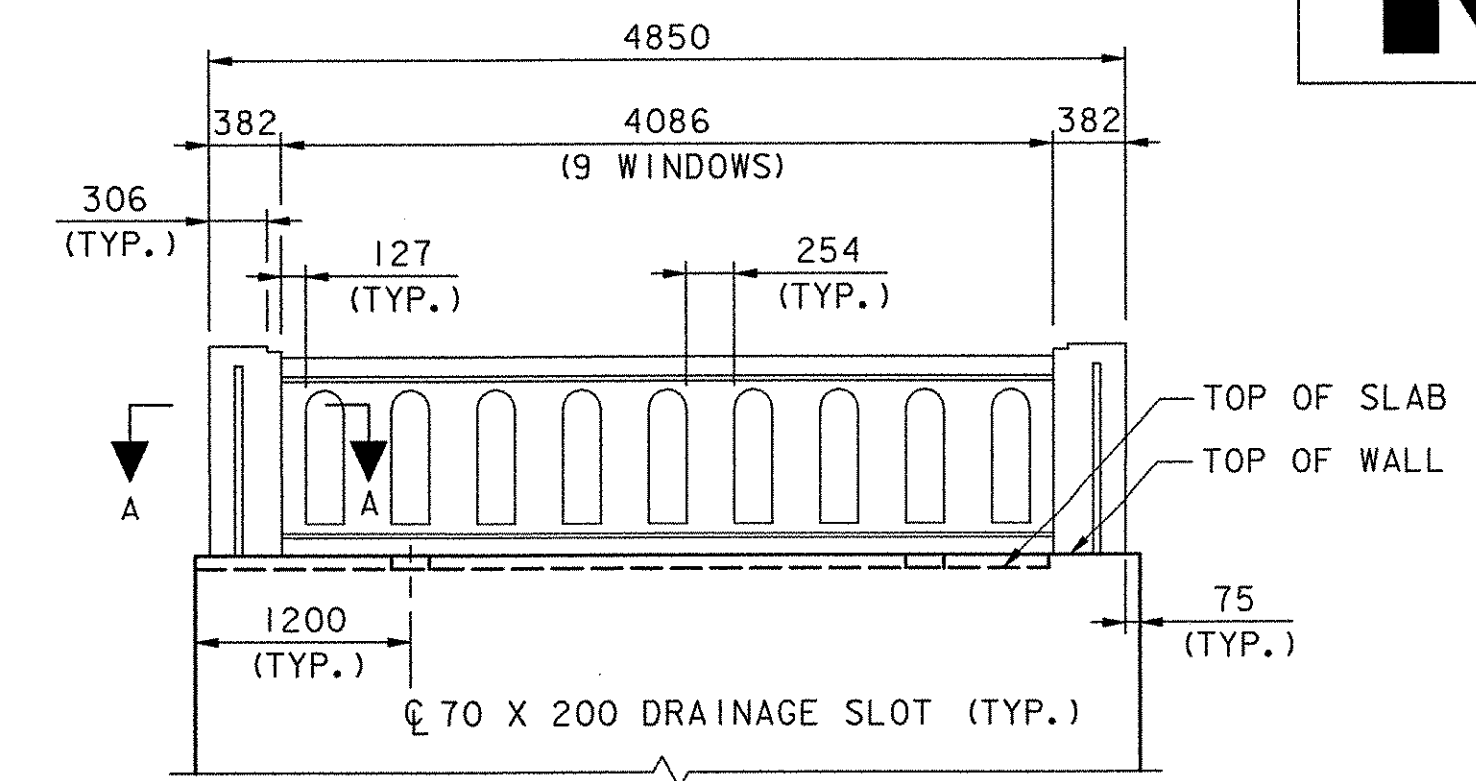
PILASTER ELEVATION

NOT TO SCALE



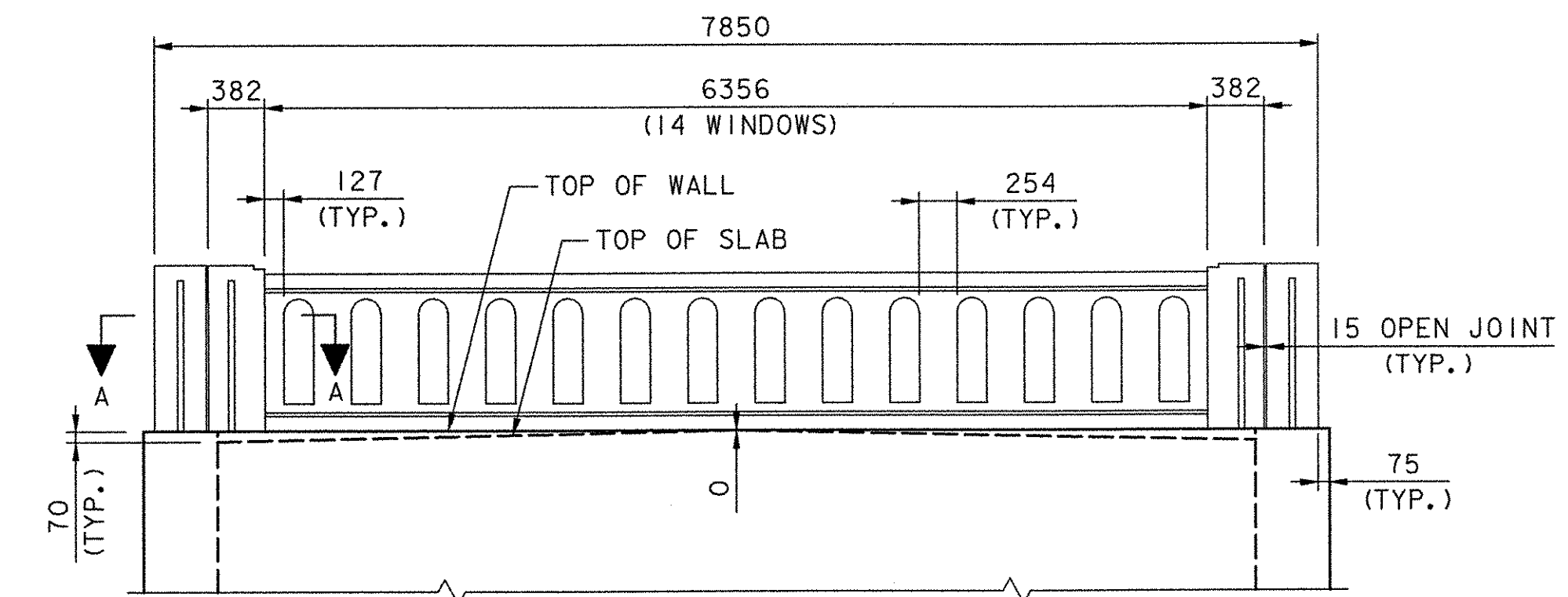
SECTION B-B

SCALE: 1:50



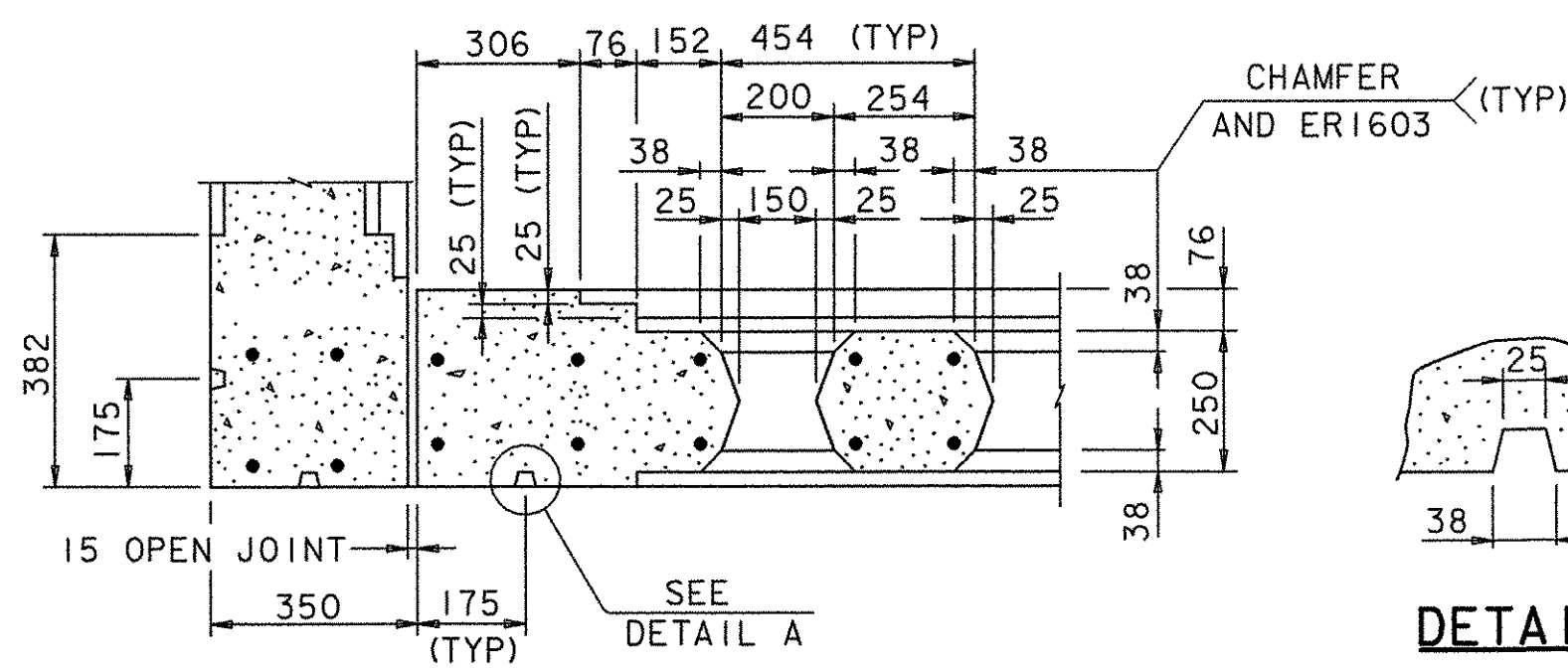
WP 1-2 WALL ELEVATION

(WP 3-4 WALL SIMILAR)
SCALE: 1:40



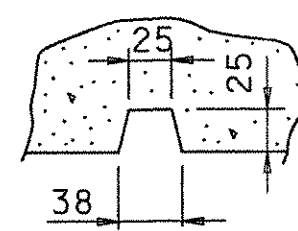
WP 2-3 WALL ELEVATION

SCALE: 1:40



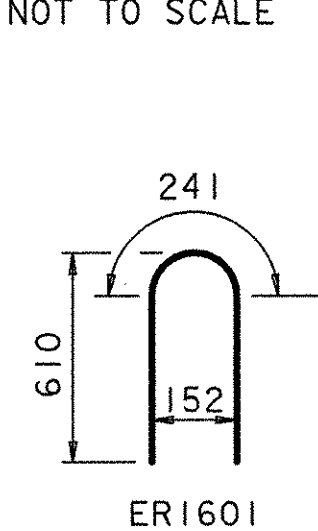
SECTION A-A

NOT TO SCALE

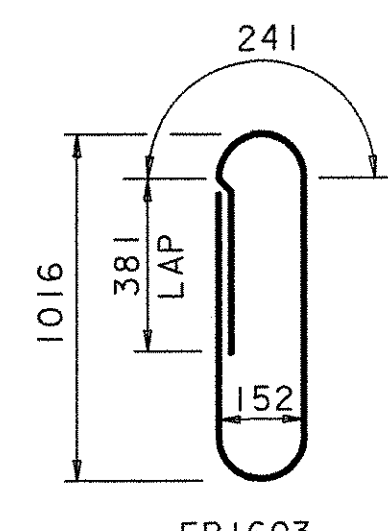


DETAIL A

NOT TO SCALE



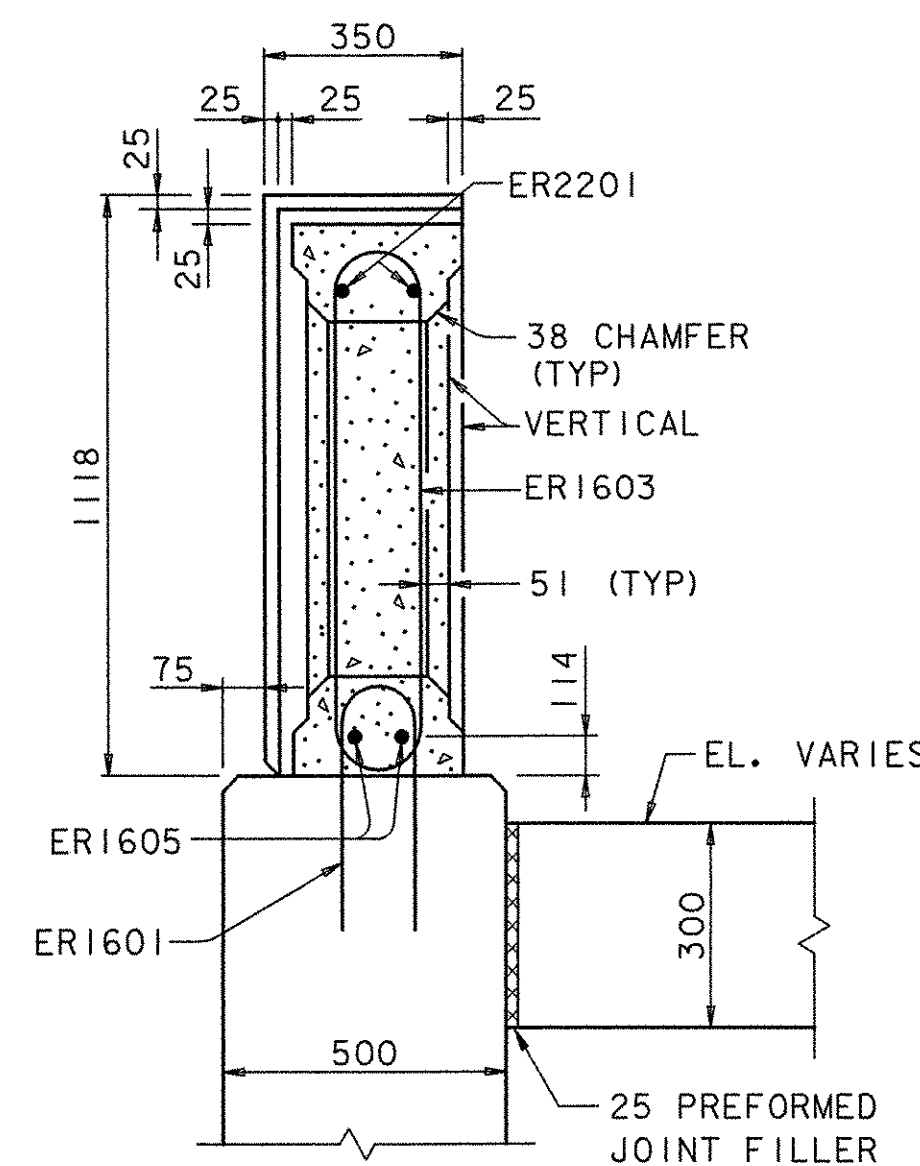
ER1601



ER1603

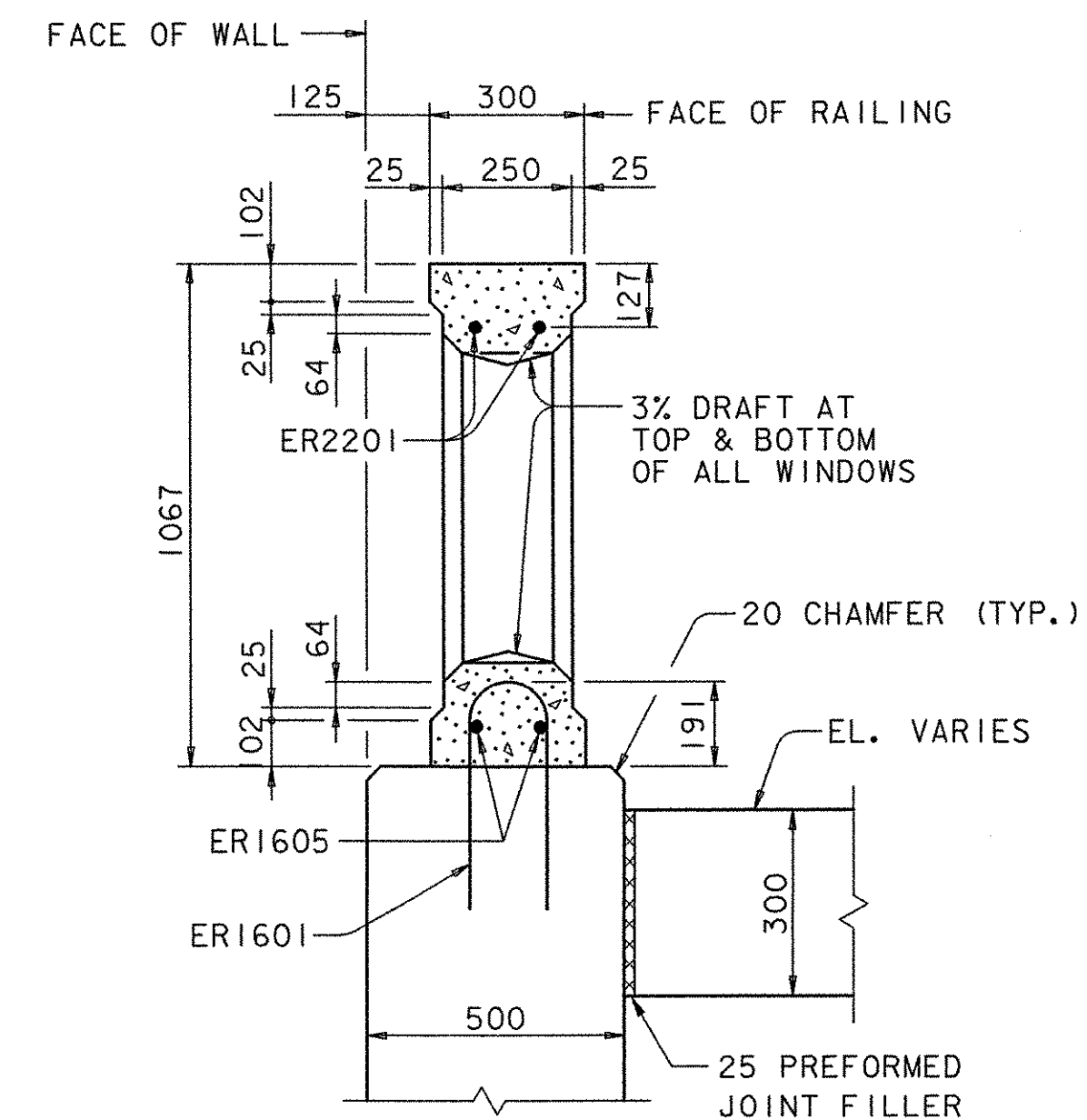
NOTE: THESE ARE IN ADDITION TO THOSE FOUND ON THE REINFORCING STEEL SCHEDULE (SEE NOTE 2). ALL COSTS FOR RAILING REINFORCING BARS SHALL BE INCLUDED IN ITEM 525.50, CAST-IN-PLACE CONCRETE BRIDGE RAIL.

BAR TYPES



SECTION THRU POST

(SHOWING PILASTER BEYOND)
NOT TO SCALE



SECTION THRU WINDOW

NOT TO SCALE

NOTES:

1. SEE SHEETS 79-80 FOR ADDITIONAL BRIDGE RAIL DETAILS AND NOTES.
2. SEE SHEETS 82-83 FOR REINFORCING STEEL SCHEDULE.

**STATE OF VERMONT
AGENCY OF TRANSPORTATION**

Town Of COLCHESTER-SOUTH BURLINGTON	Bridge No. 6
Highway No. TH 4/3	Log Sta.
	Surv. Sta.
TH 4/3 OVER WINOOSKI RIVER & N.E.C.R.	
LOOKOUT DETAILS (2 OF 2)	
Designed By K.G. KRETSCH	Drawn By B.J. MASSE
Checked By M.A. COLGAN	Date 4/05
	Bridge Design Supervisor S.M. GUNN
	Date 4/05
PROJECT COLCHESTER-SOUTH BURLINGTON	PROJECT NO. BRM 5600 (6) S C/2
I.G.C. Info.	
Bridge Sheet No. ZD139LD2	Sheet 26A of 124

DATUM
VERTICAL NAVD 88
HORIZONTAL NAD 83 (92)