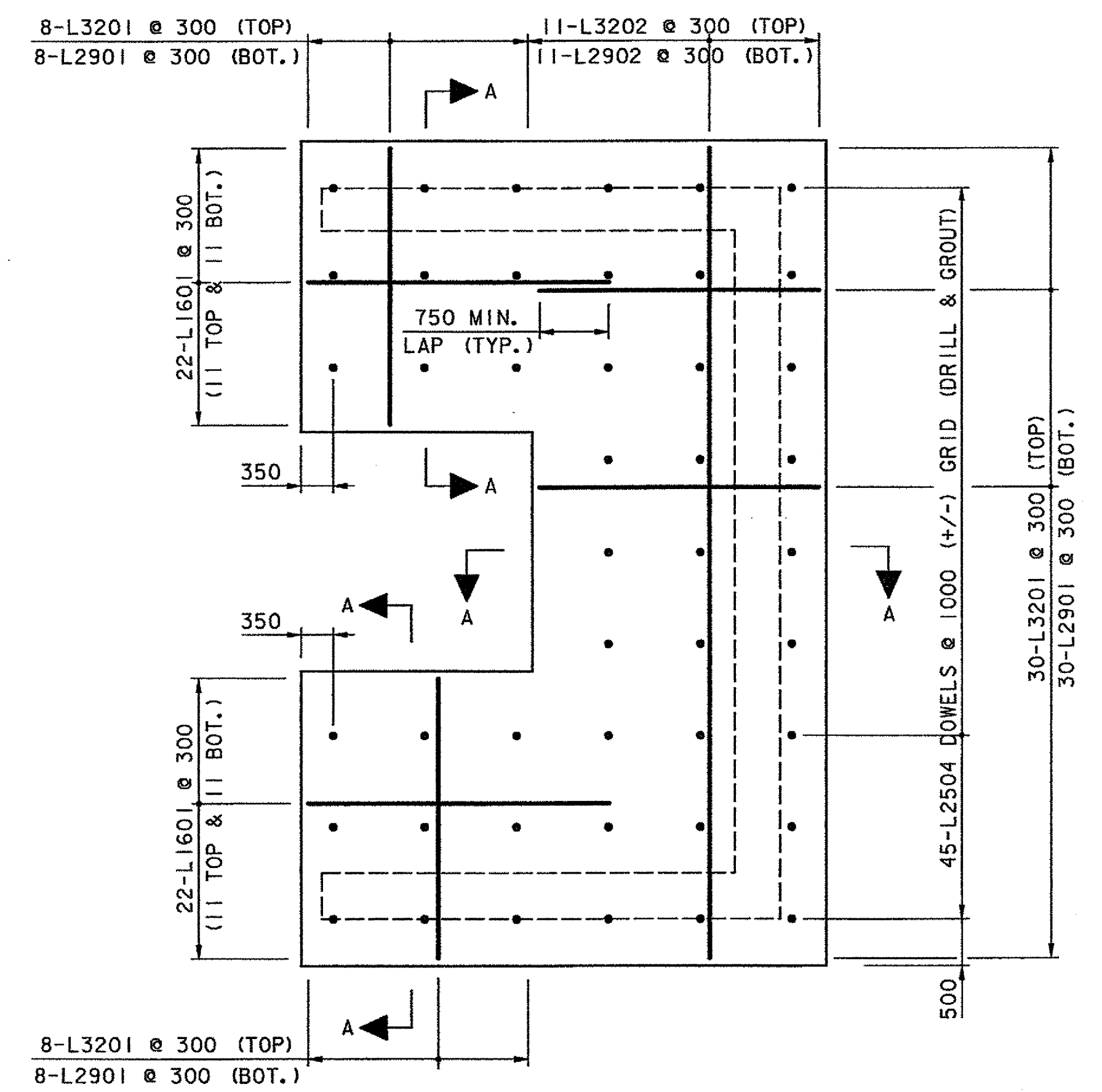


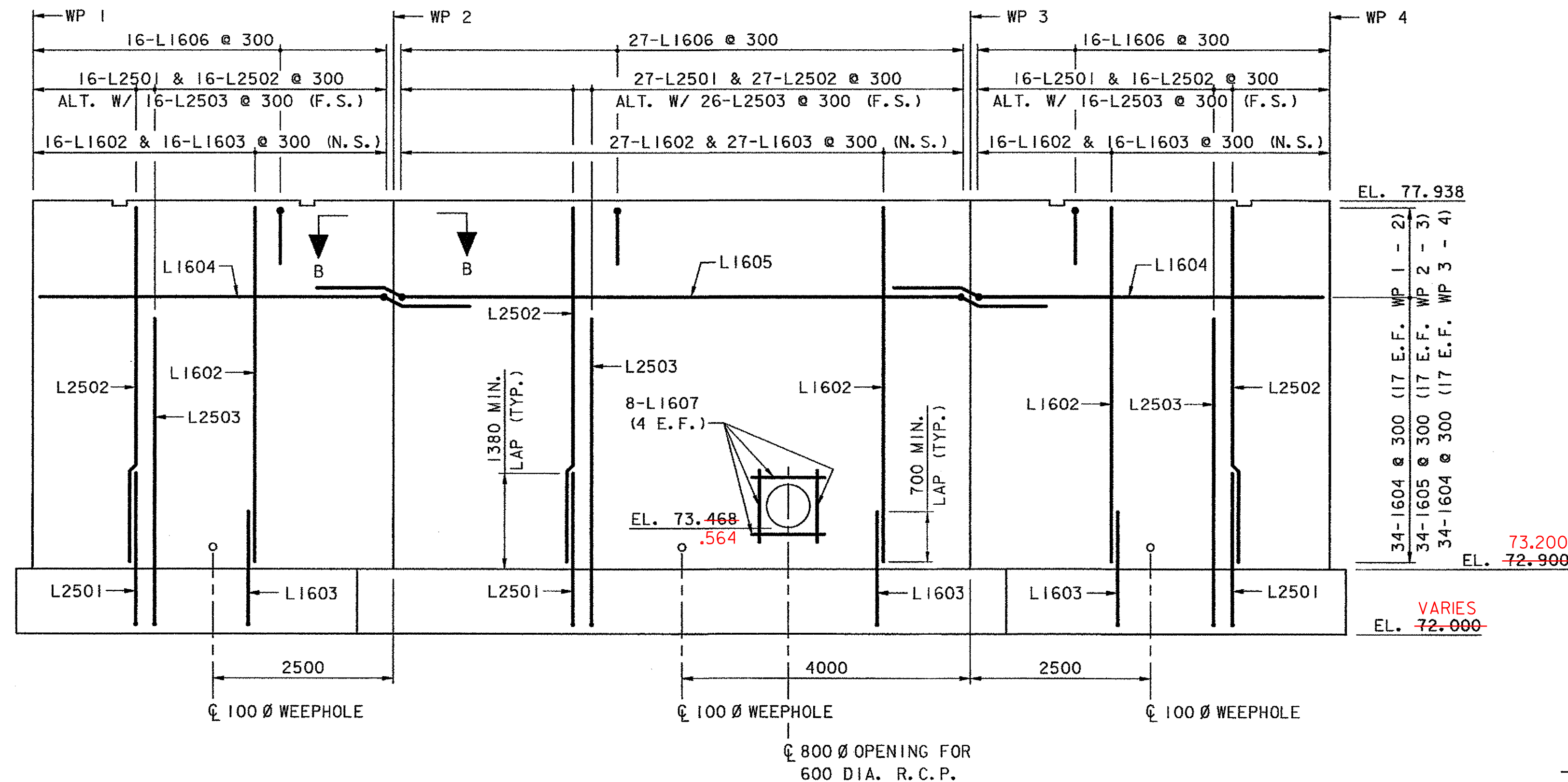
WP	STATION	OFFSET (m)
1	10+312.446	12.500 LT.
2	10+317.446	12.500 LT.
3	10+312.446	20.500 LT.
4	10+317.446	20.500 LT.

LOOKOUT PLAN
(ELEVATIONS SHOWN AT TOP OF SLAB)
SCALE: 1:50

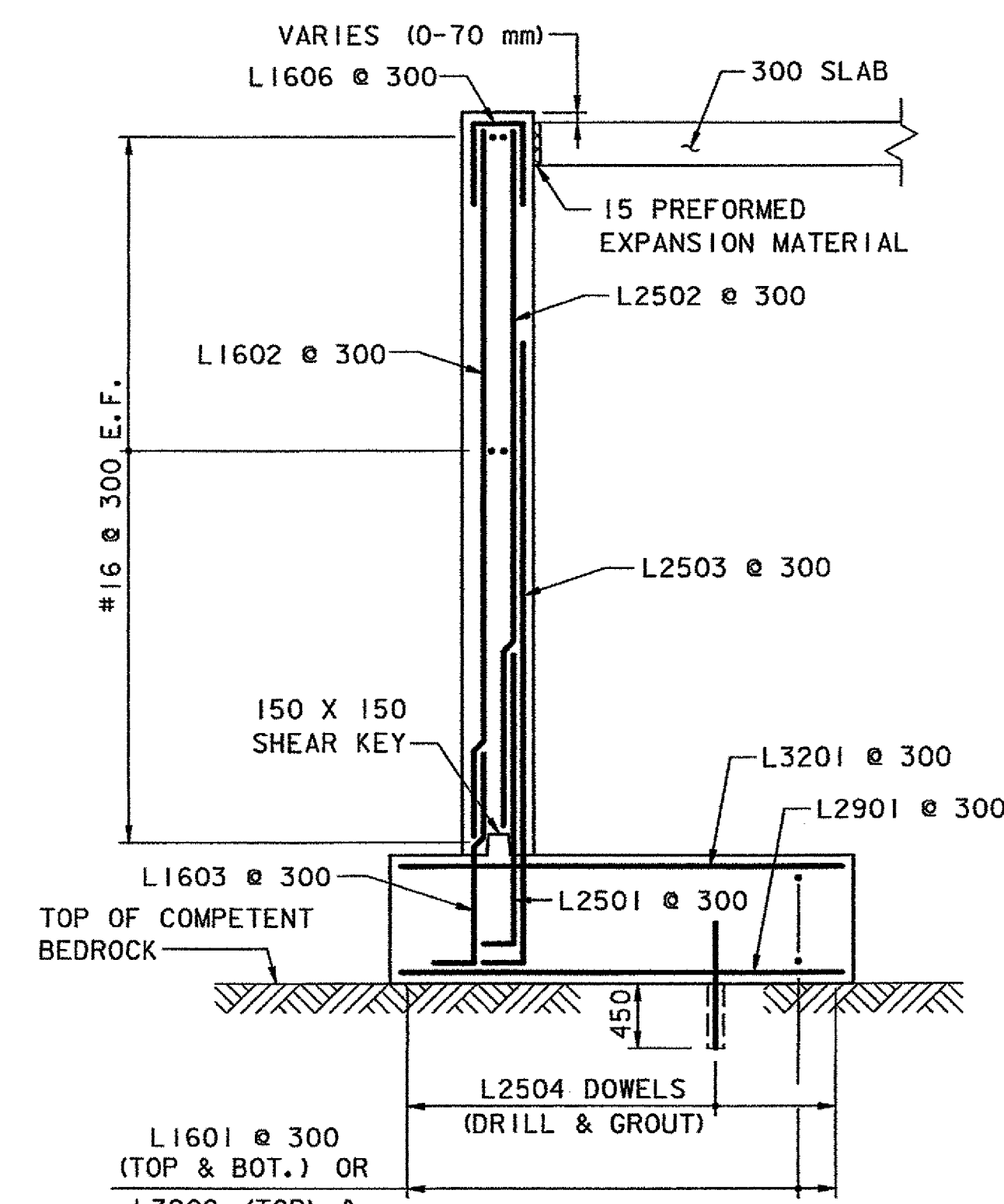
FOOTING MASONRY
SCALE: 1:50
0 1000 2000 3000
SCALE IN MILLIMETERS



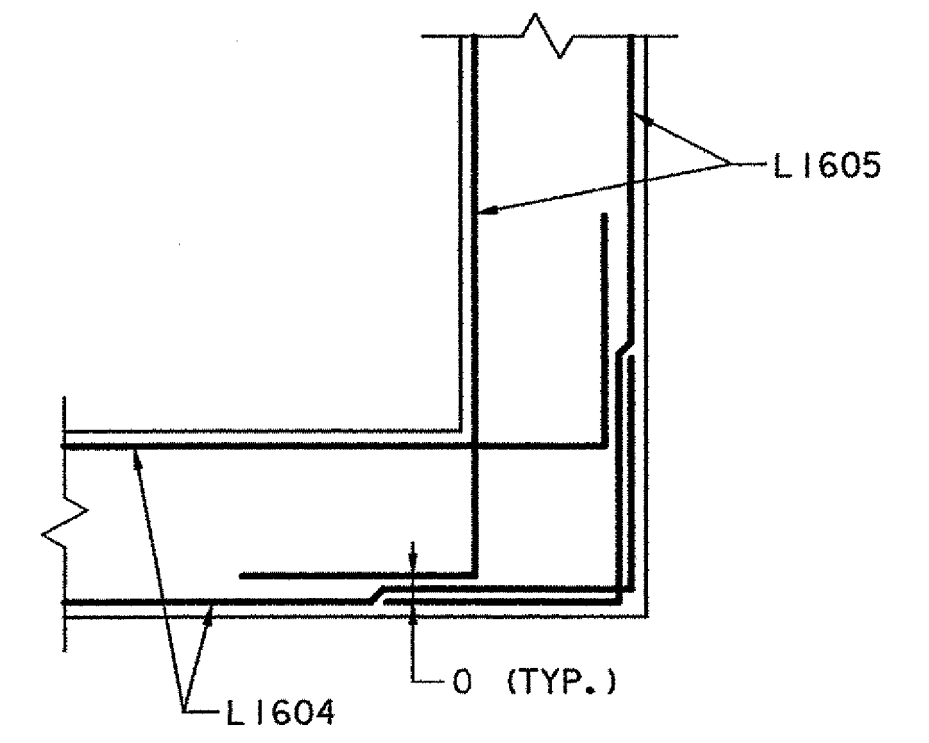
FOOTING REINFORCING
SCALE: 1:50



DEVELOPED VIEW
(ALL FOOTING REINFORCING NOT SHOWN FOR CLARITY)
SCALE: 1:50



SECTION A-A
SCALE: 1:40
0 800 1600 2400
SCALE IN MILLIMETERS



SECTION B-B
SCALE: 1:20
0 400 800 1200
SCALE IN MILLIMETERS

- NOTES:**
- SEE SHEET 66 FOR WEEPHOLE DETAIL.
 - DOWELS SHALL EXTEND INTO FOOTING A MINIMUM OF 450 mm.

DATUM
VERTICAL_NAD_88
HORIZONTAL_NAD_83 (92)

REINFORCING KEY
E.F. = EACH FACE
N.S. = NEAR SIDE
F.S. = FAR SIDE

VHB Vanasse Hangen Brustlin, Inc.

**STATE OF VERMONT
AGENCY OF TRANSPORTATION**

Town Of COLCHESTER-SOUTH BURLINGTON	Bridge No. 6
Highway No. TH 4/3	Log Sta. Surv. Sta.
TH 4/3 OVER WINOOSKI RIVER & N.E.C.R.	
LOOKOUT DETAILS (1 OF 2)	
Designed By K.G. KRETSCH	Drawn By B.J. MASSE
Checked By M.A. COLGAN	Bridge Design Supervisor S.M. GUNN
Date 4/05	Date 4/05
PROJECT COLCHESTER-SOUTH BURLINGTON	PROJECT NO. BRM 5600 (6) S C/2
I.G.C. Info.	
Bridge Sheet No. ZD139LDI	Sheet 26 of 124