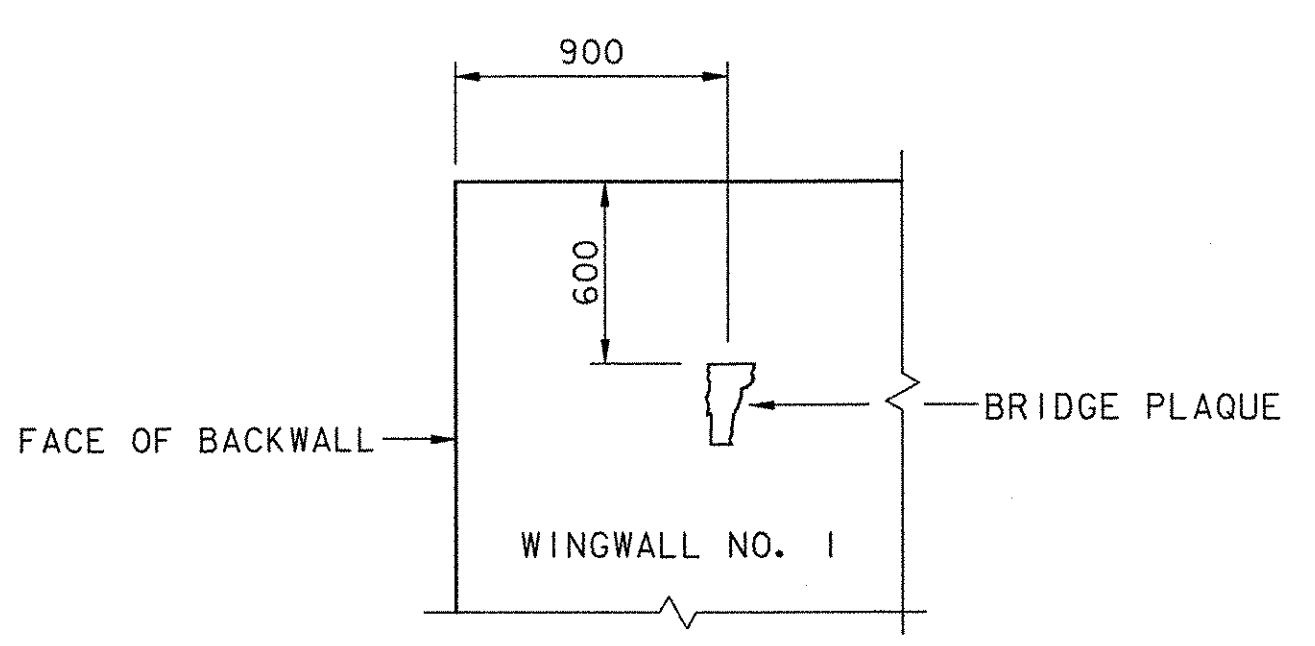
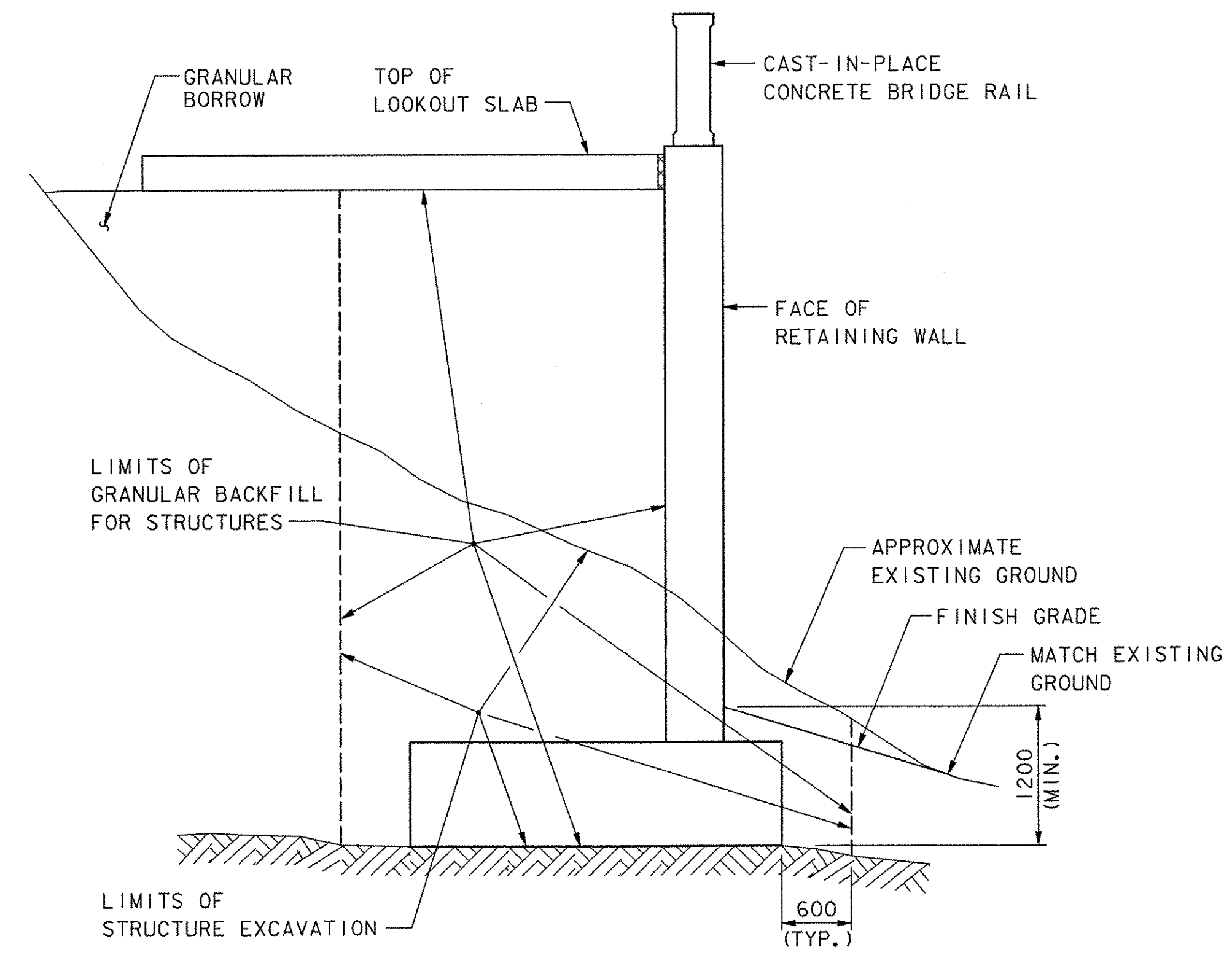


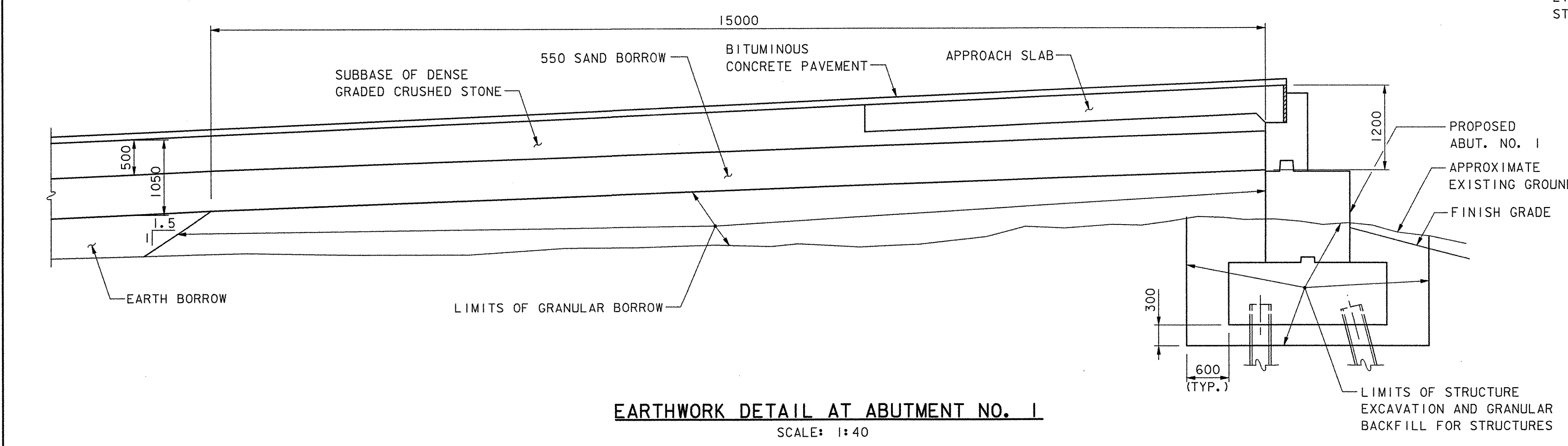
EARTHWORK DETAIL AT ABUTMENT NO. 2
(SEE MSE WALL DETAILS FOR ADDITIONAL INFORMATION)
SCALE: 1:40



BRIDGE PLAQUE LOCATION
NOT TO SCALE



EARTHWORK DETAIL AT LOOKOUT
(SEE SHEETS 25-26A FOR ADDITIONAL INFORMATION)
SCALE: 1:40



EARTHWORK DETAIL AT ABUTMENT NO. 1
SCALE: 1:40



DATUM
VERTICAL NAVD 88
HORIZONTAL NAD 83 (92)

VHB Vanasse Hangen Brustlin, Inc.

STATE OF VERMONT AGENCY OF TRANSPORTATION	
Town Of COLCHESTER-SOUTH BURLINGTON	Bridge No. 6
Highway No. TH 4/3	Log Sta. Surv. Sta.
TH 4/3 OVER WINDOSKI RIVER & N.E.C.R.	
TYPICAL EARTHWORK DETAILS	
Designed By M. A. COLGAN	Drawn By B. J. MASSE
Checked By M. A. COLGAN	Date 4/05
S. M. GUNN Date 4/05	
PROJECT COLCHESTER-SOUTH BURLINGTON	PROJECT NO. BRM 5600 (6) S C/2
I.G.C. Info.	
Bridge Sheet No. ZD139ADT	Sheet 17 of 124