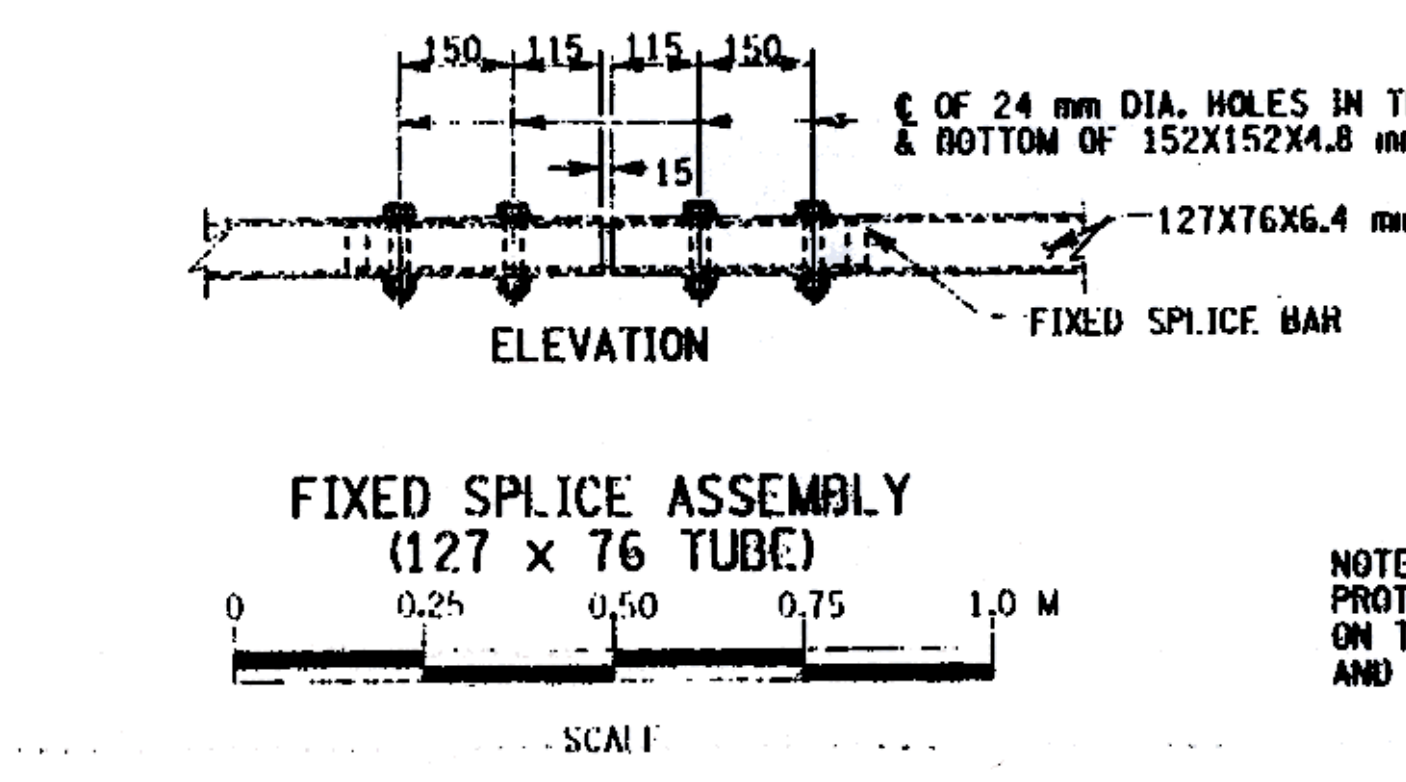
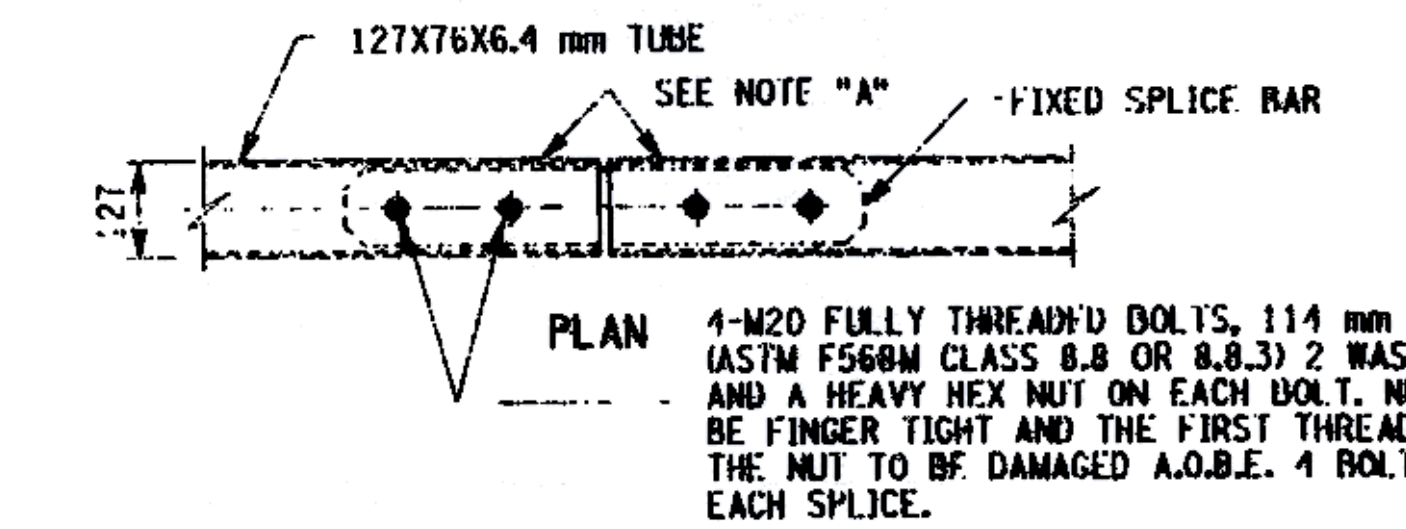
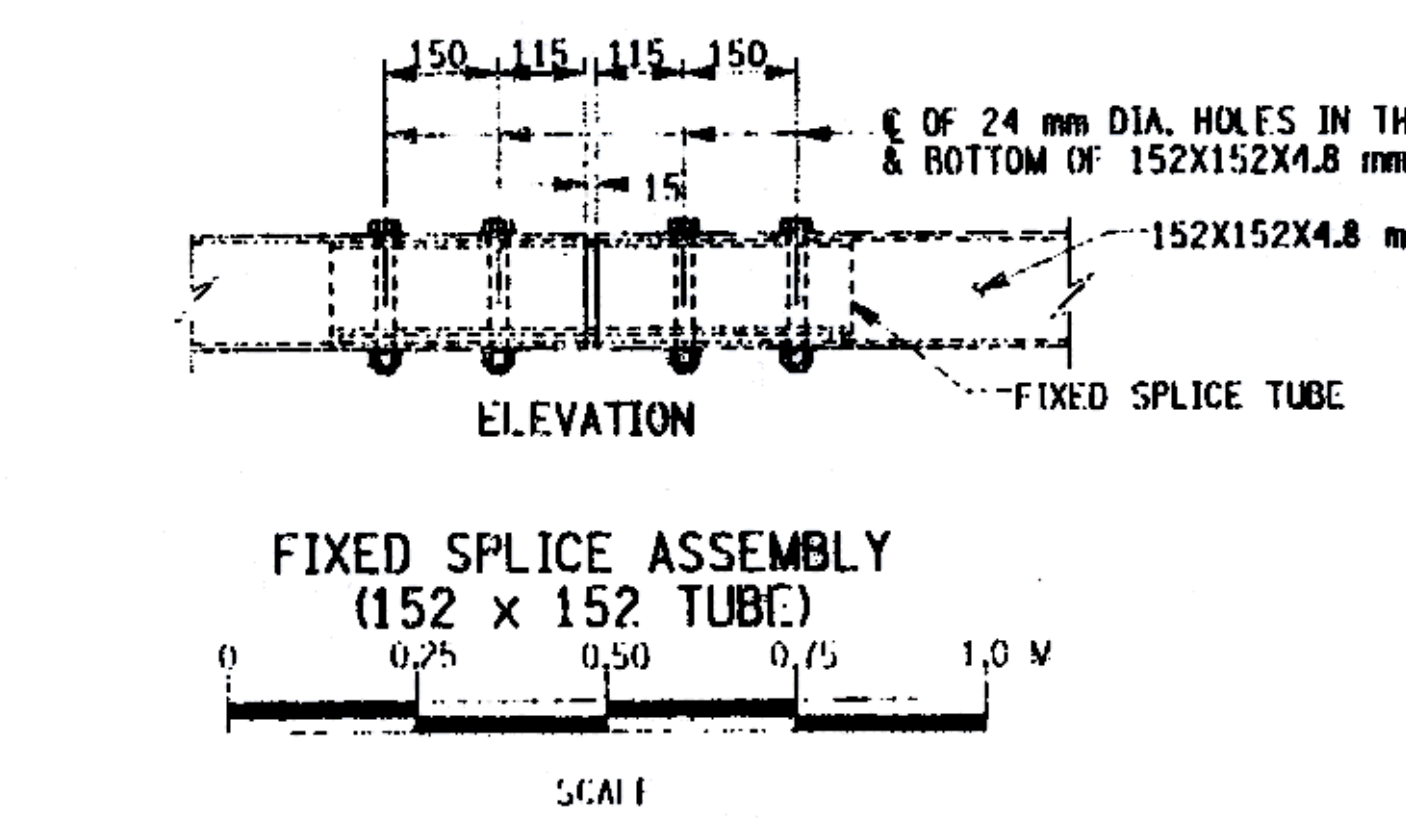
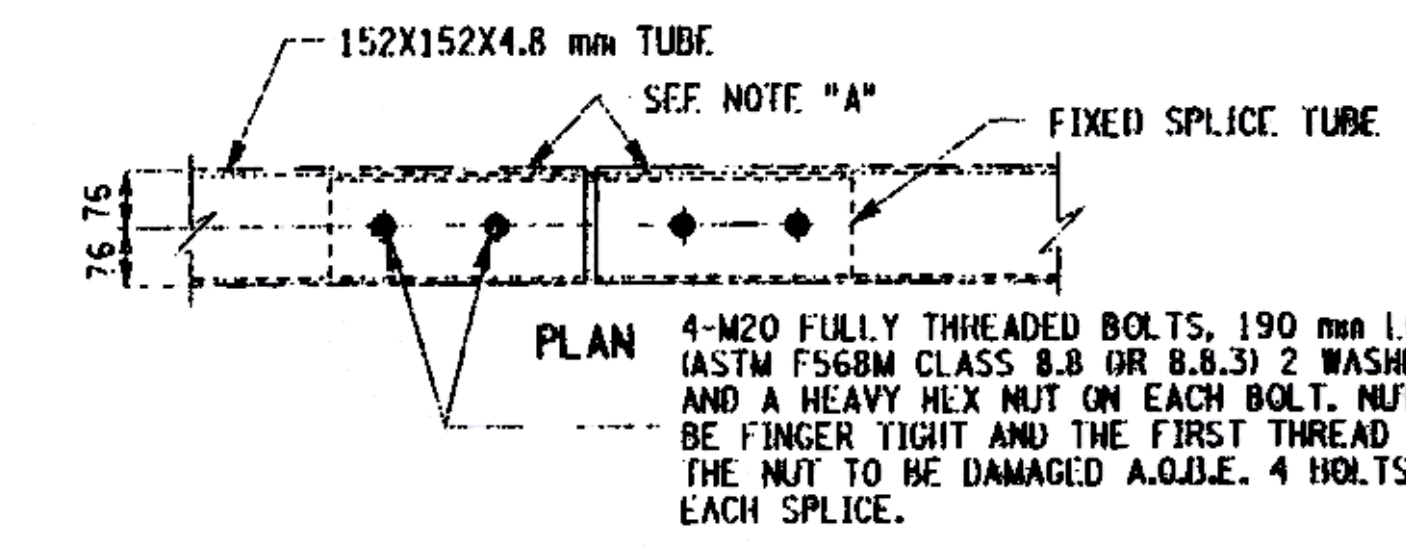
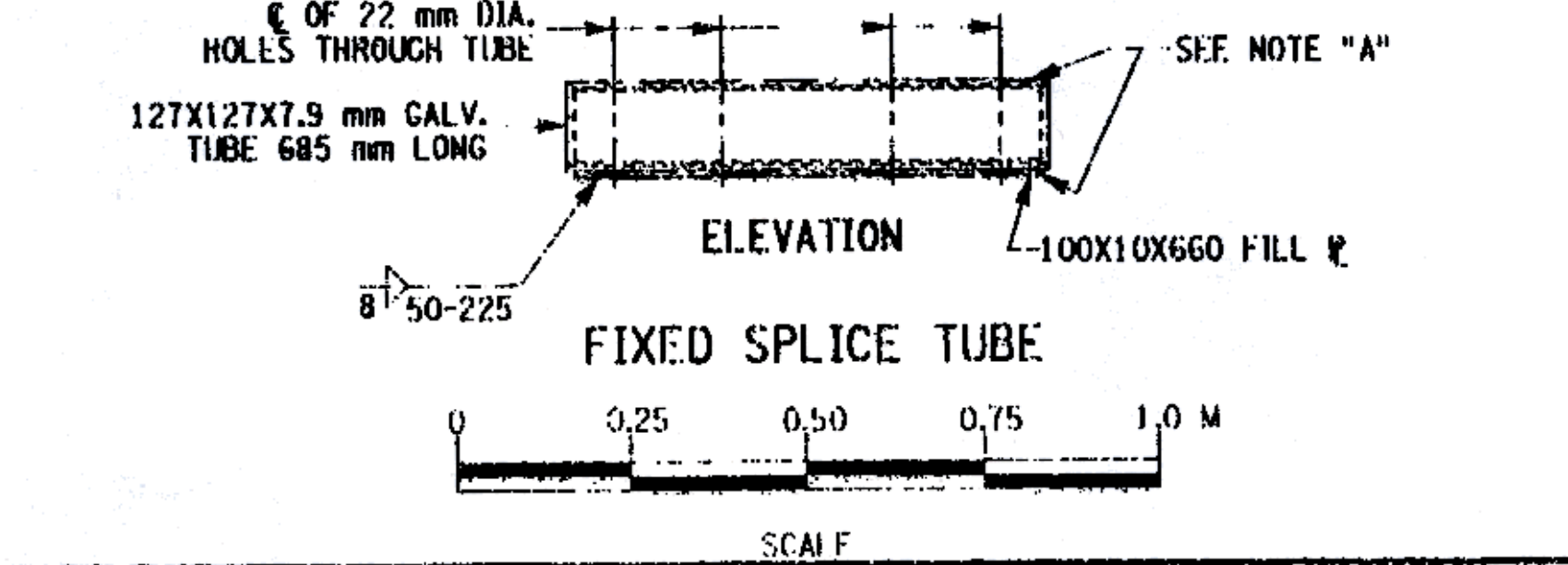
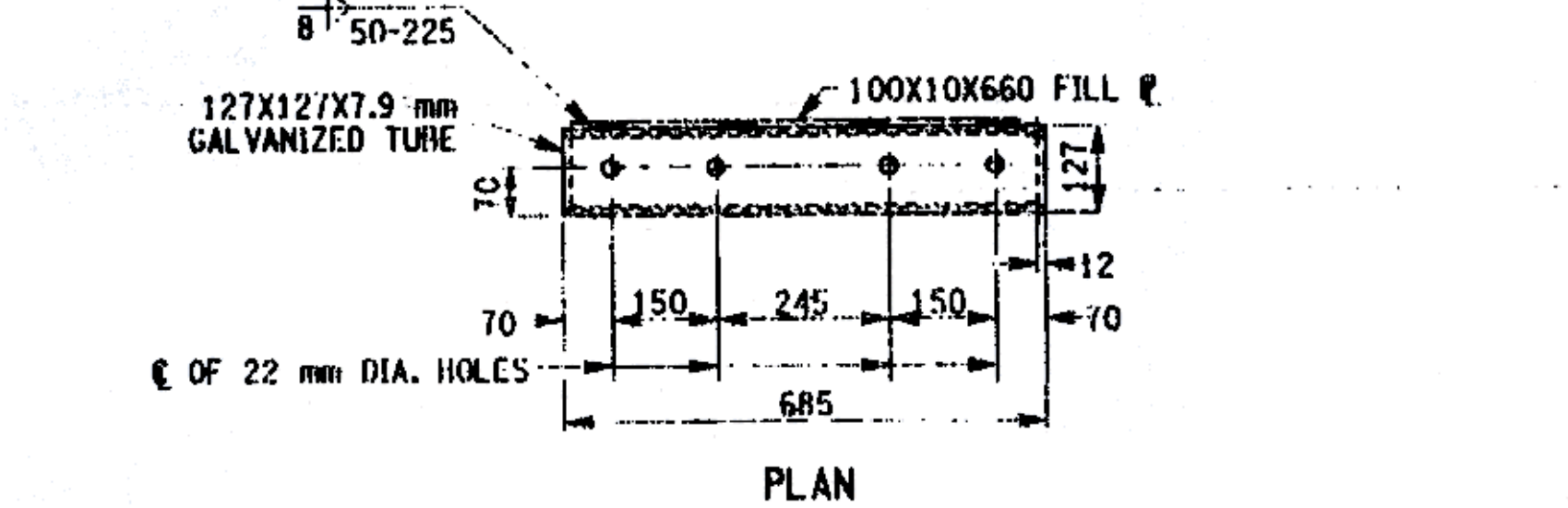
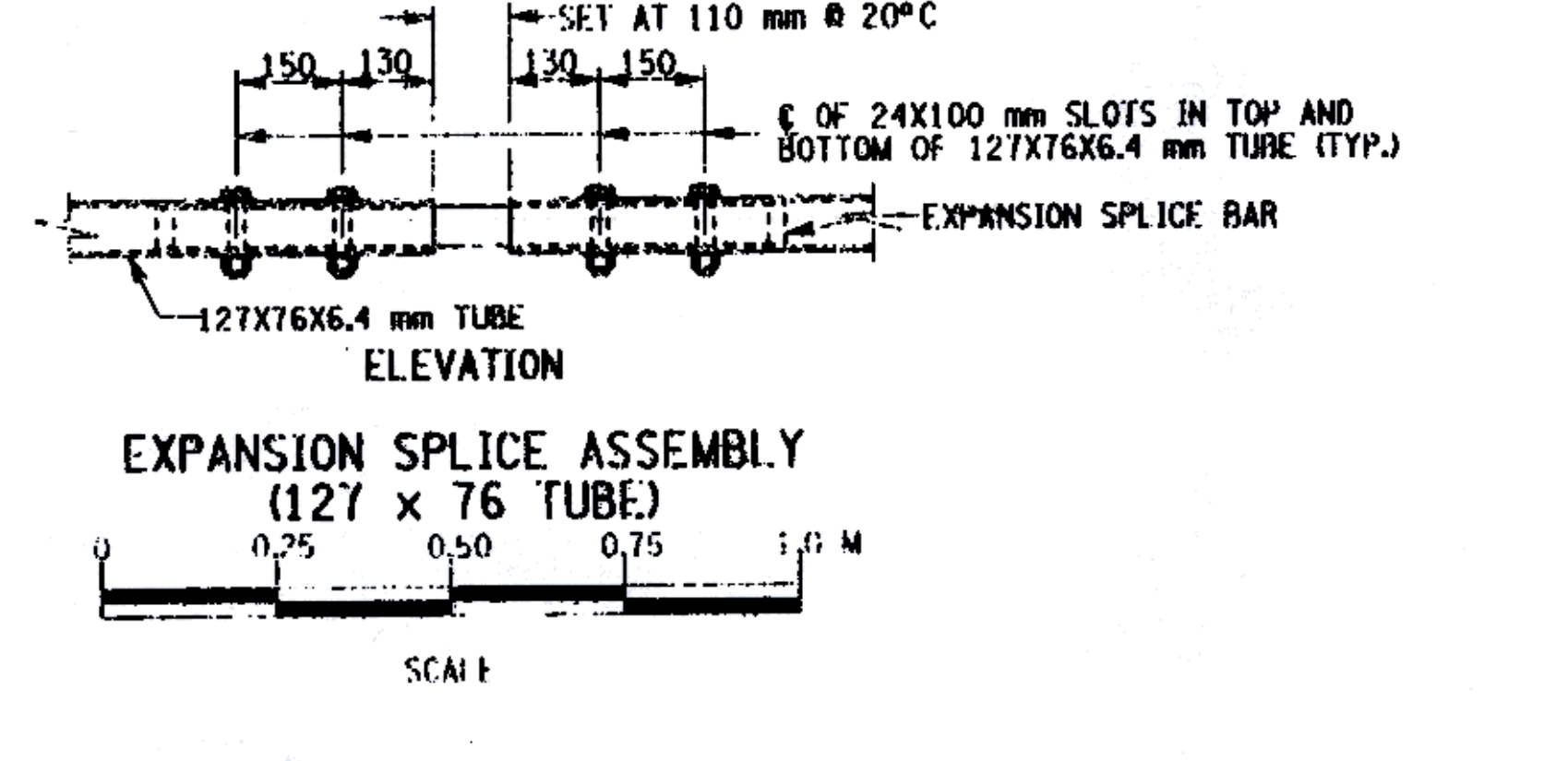
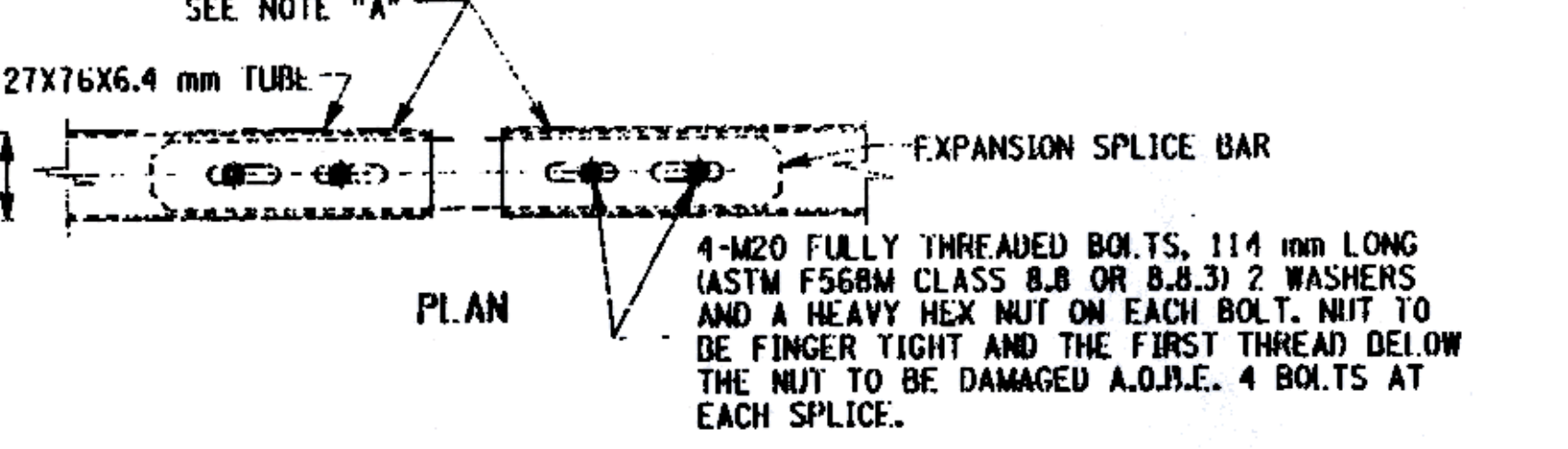
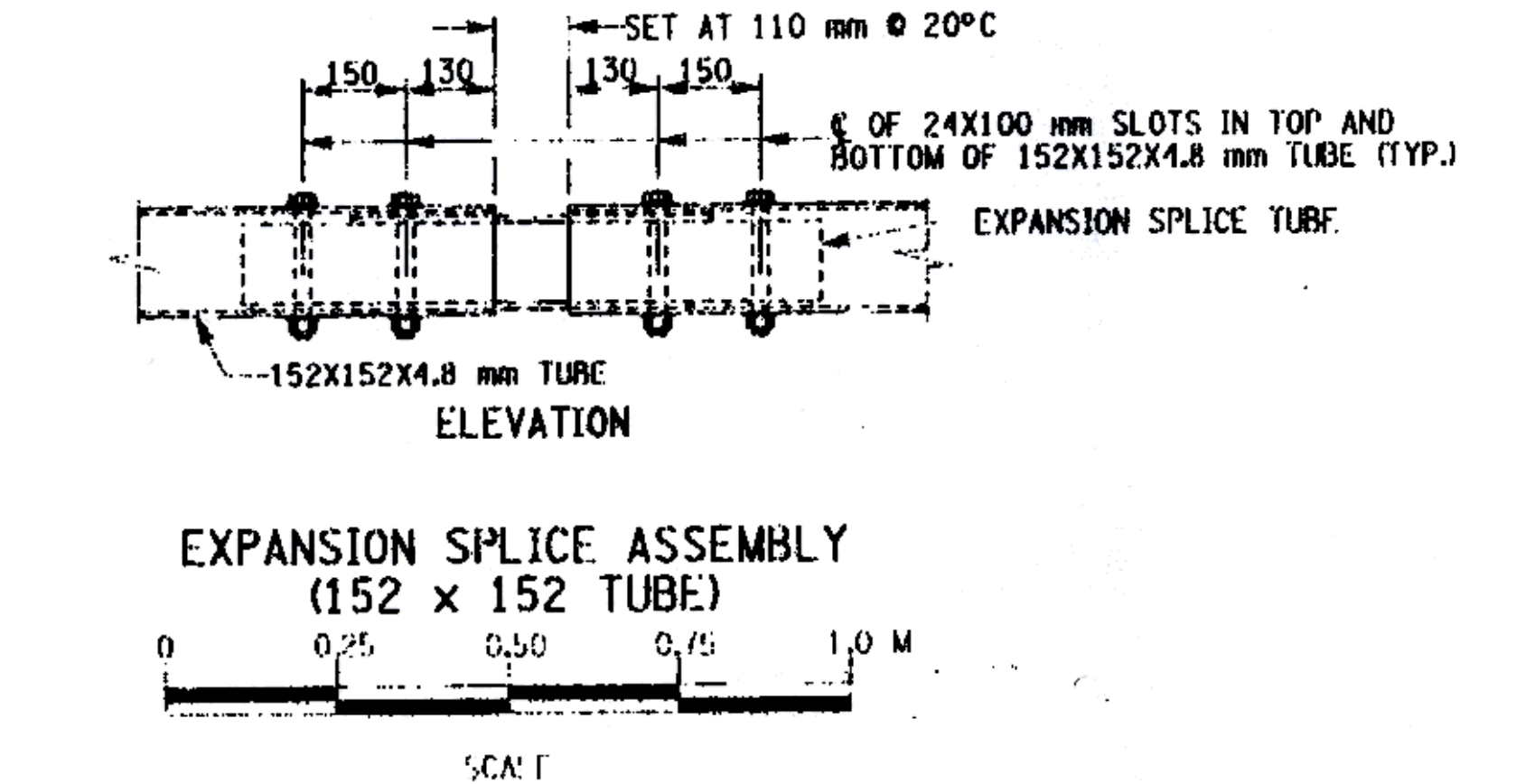
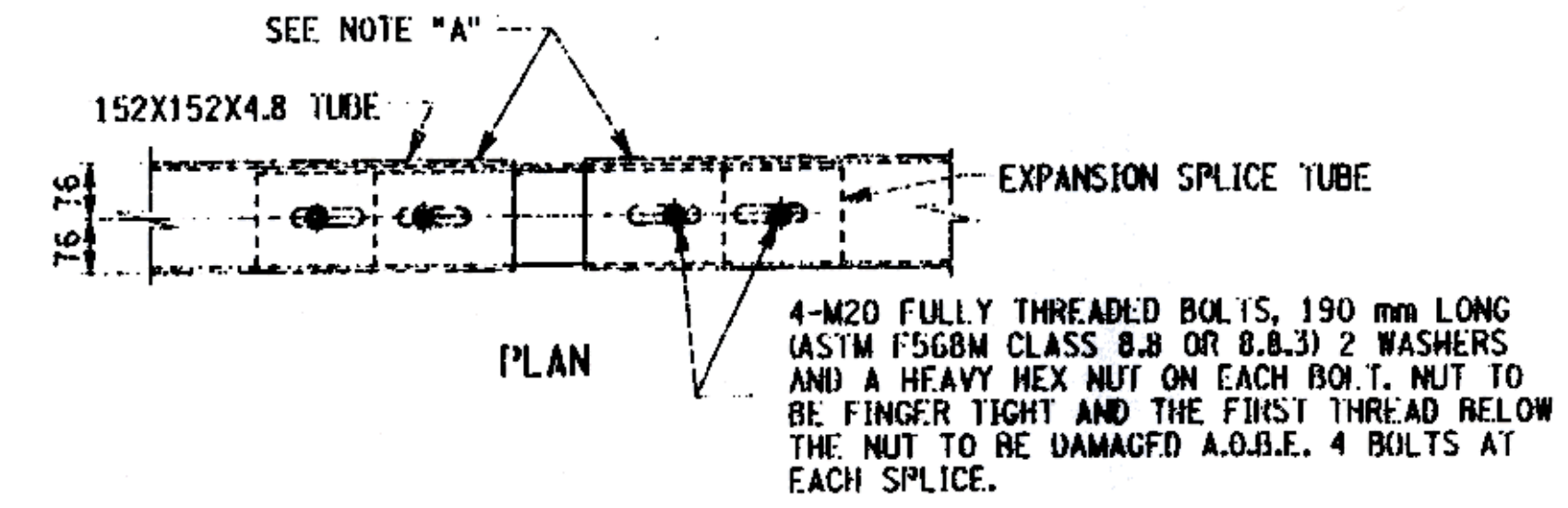
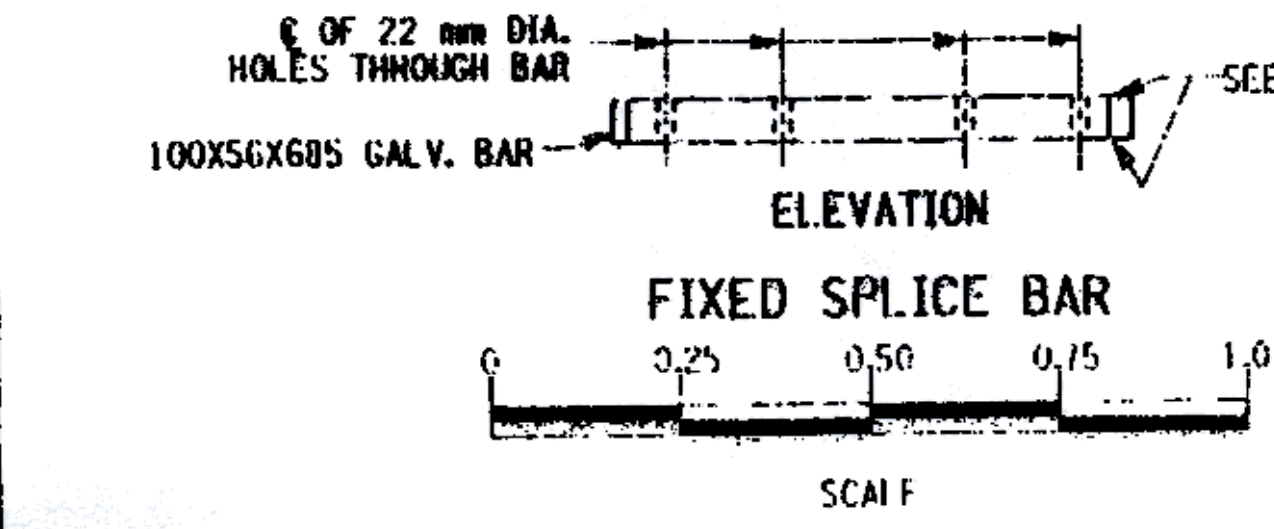
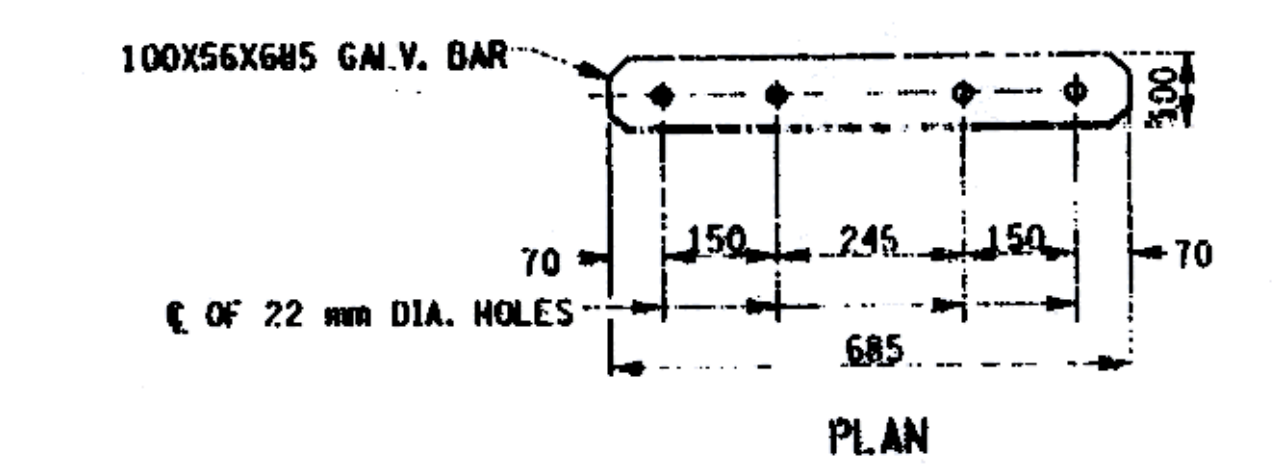
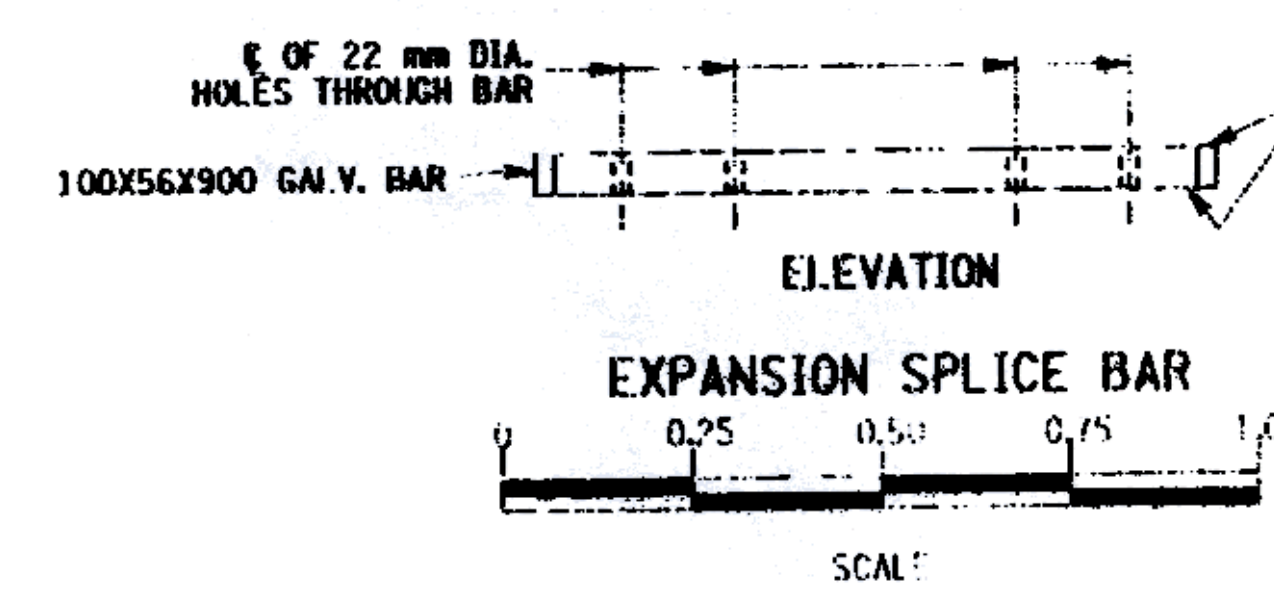
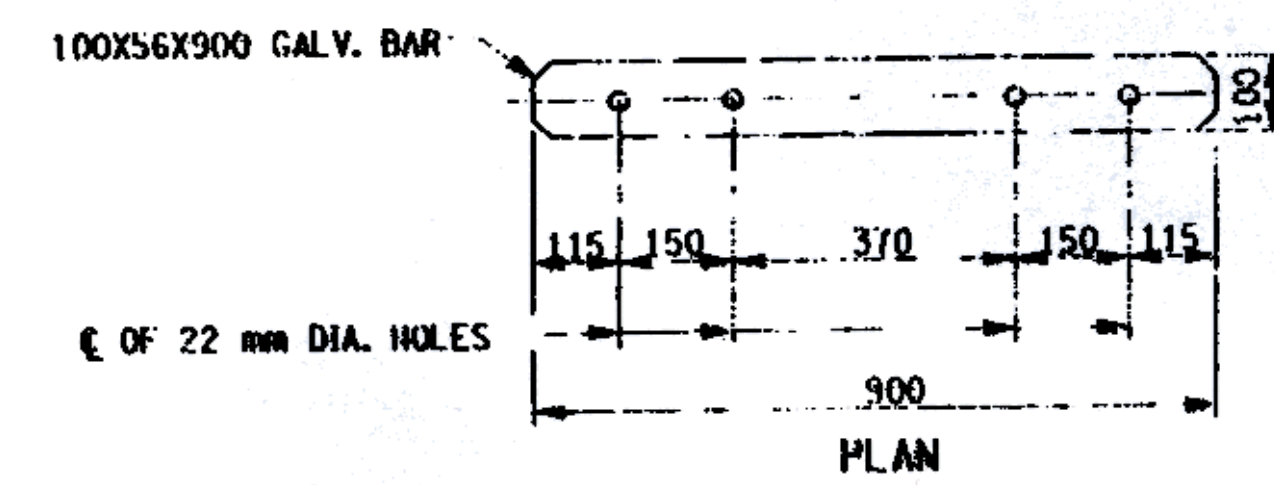
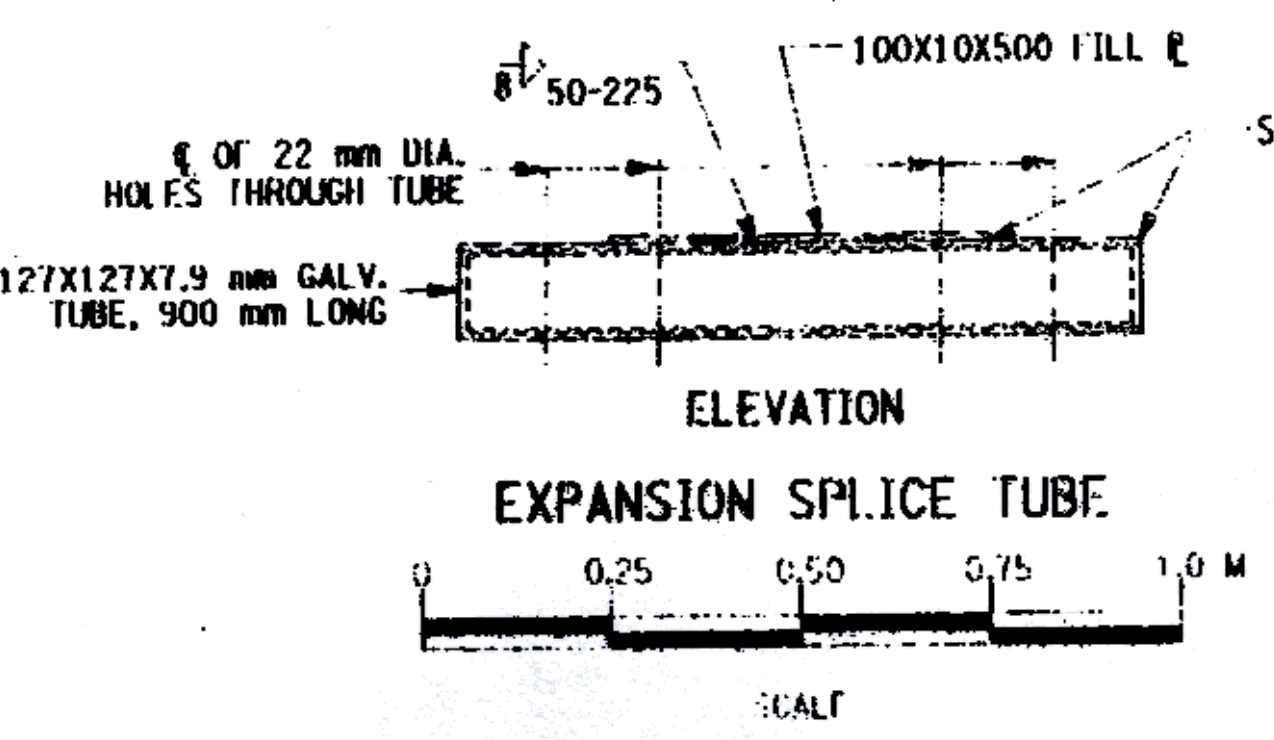
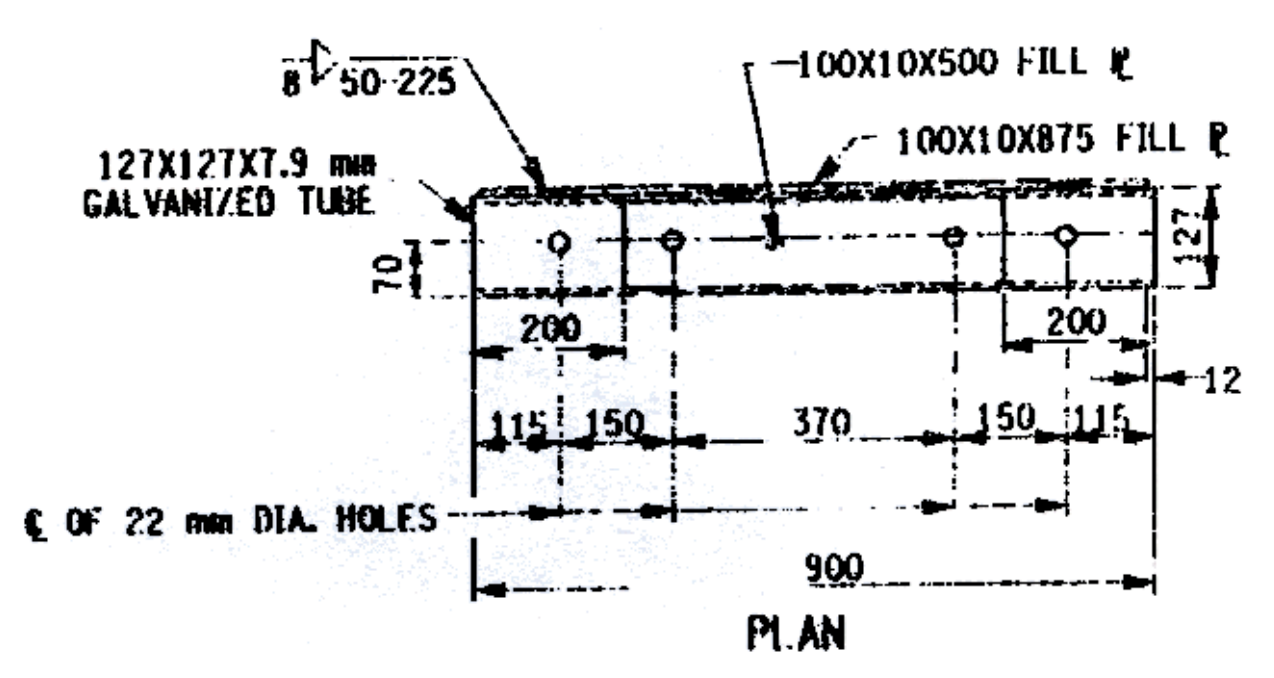


F.L.D. ROAD REG. NO.	STATE	CONTRACT NO.	SHEET NO.	TOTAL SHEETS
1	N.Y.		40	43
COUNTY ROAD 18 OVER POULTNEY RIVER				
WASHINGTON COUNTY, NY / RUTLAND COUNTY, VT				
TOWN OF HAMPTON, NY / POULTNEY, VT				
CAPITAL PROJECT IDENTIFICATION NO. 1753.76				

DESIGNED BY EKT
 CHECKED BY LAK
 ESTIMATED BY EKT
 DRAFTER BY RUN
 JOB MANAGER TJC
 SUPERVISOR TJC



NOTE "A": PROTRUSIONS CAUSED BY WELDING OR GALVANIZING ARE NOT PERMITTED ON THE ADJOINING SURFACES OF THE BOX BEAM RAILS, SPLICE TUBES AND FILL PLATES.

ALL DIMENSIONS ARE IN mm UNLESS OTHERWISE NOTED

AS BUILT REVISIONS			
<i>Signature</i>		9/2003	
SIGNATURE		DATE	
COUNTY ROAD 18 OVER POULTNEY RIVER			
BRIDGE RAIL (SHEET 4 OF 4)			
WASHINGTON COUNTY			
DEPARTMENT OF PUBLIC WORKS			
FILE NAME	REGION	DATE	DRAWING NO.
175376AA.R1D	ONE	3/2002	ST-24

AS BUILT: NO REVISIONS 9/2003