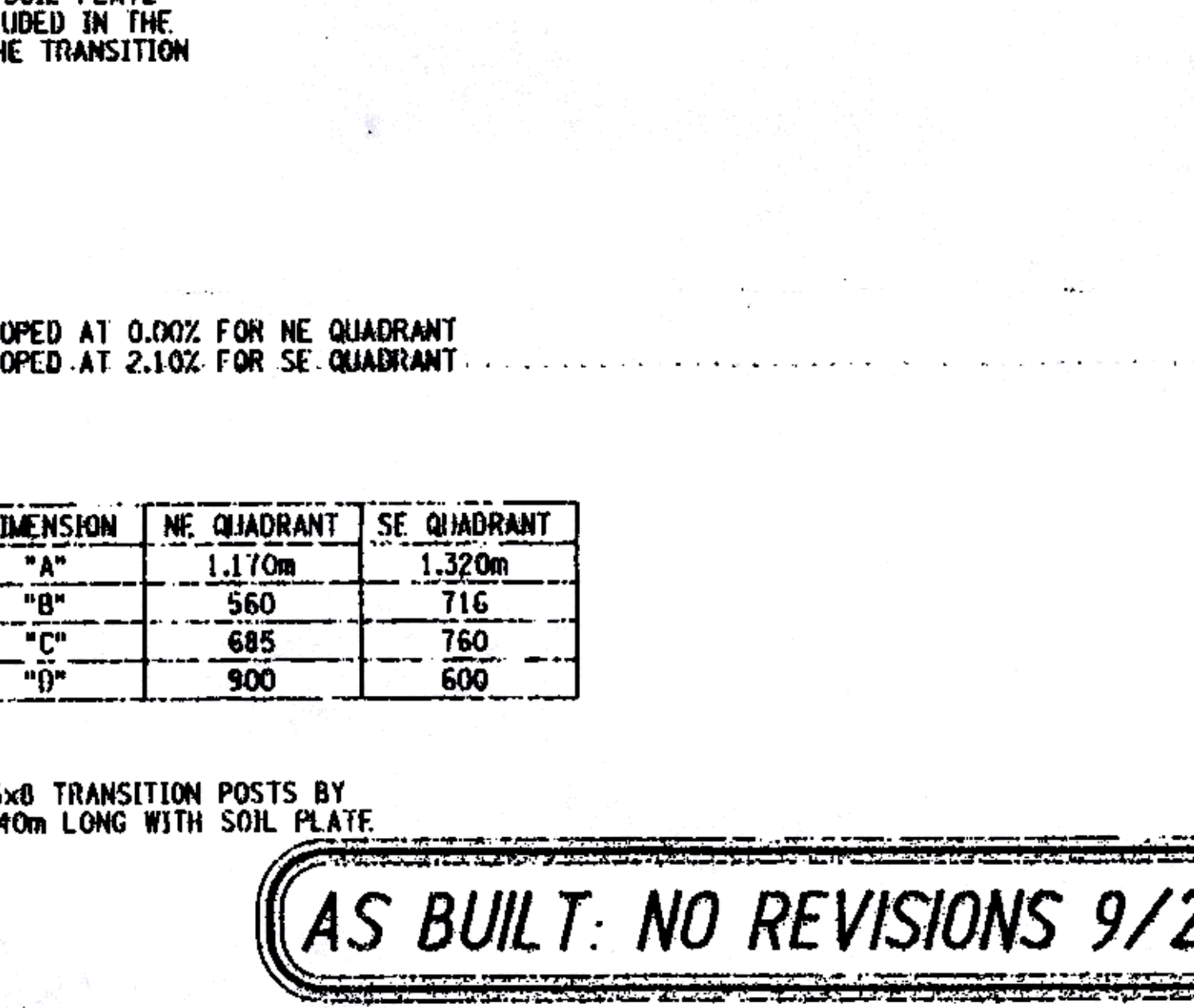
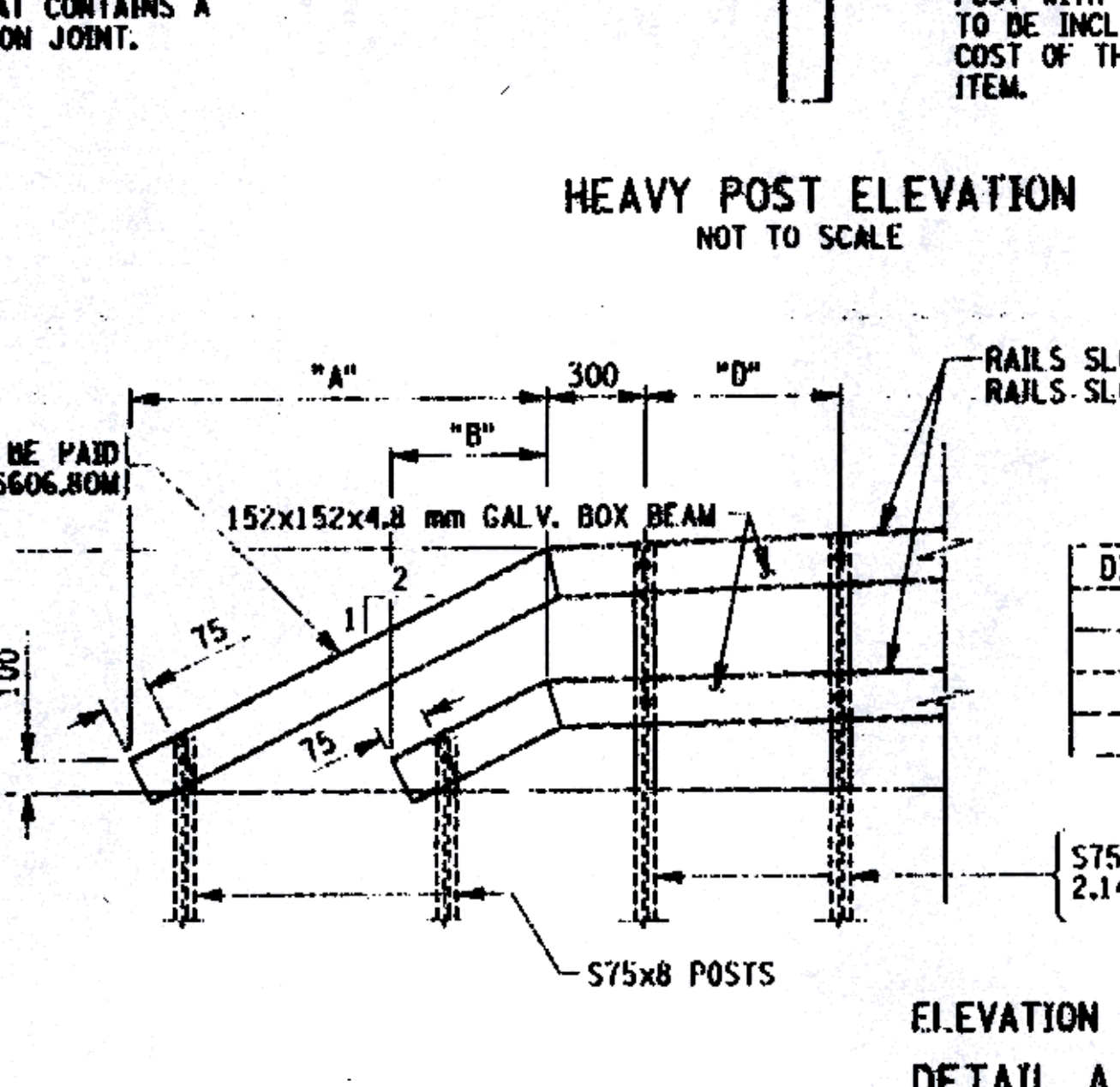
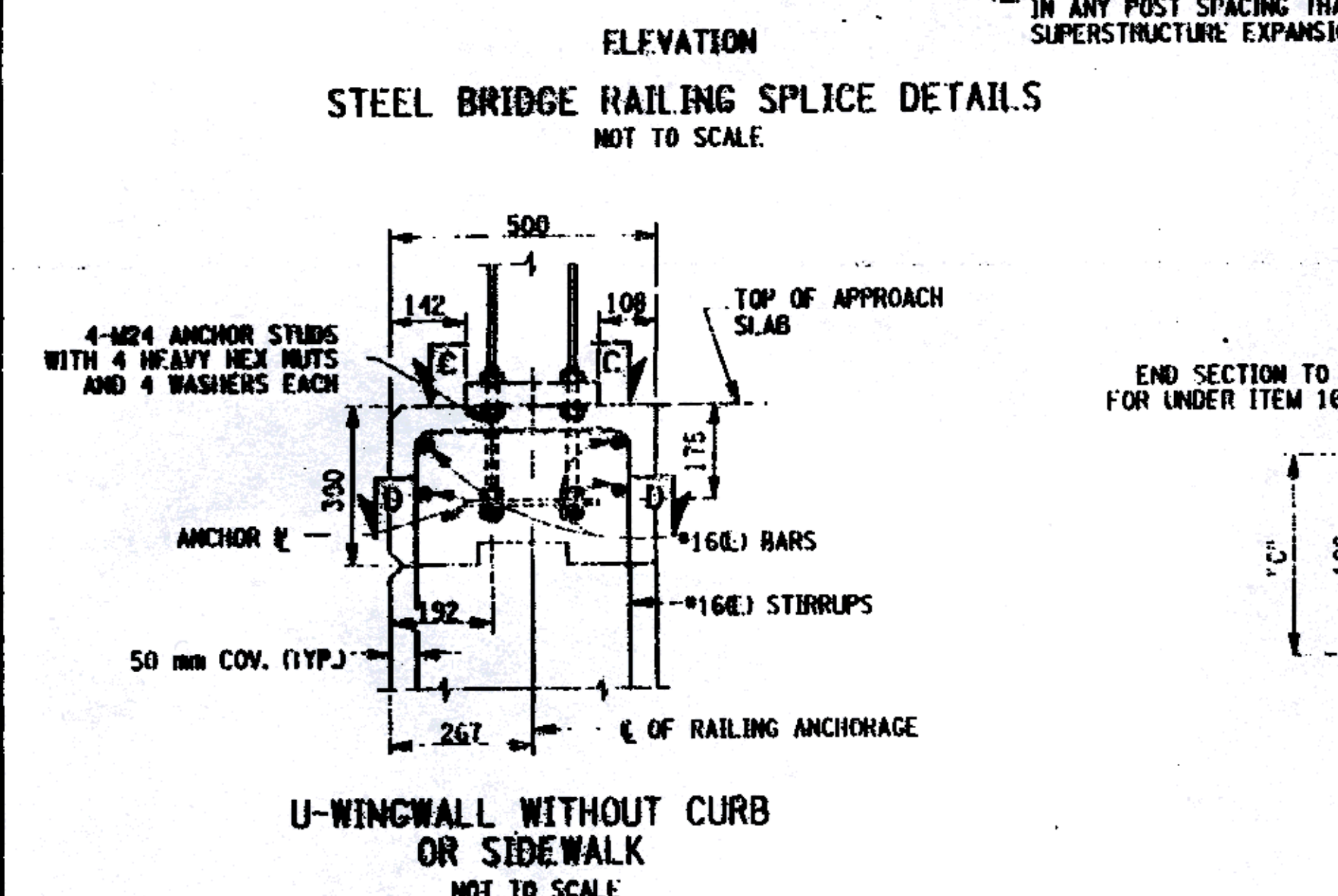
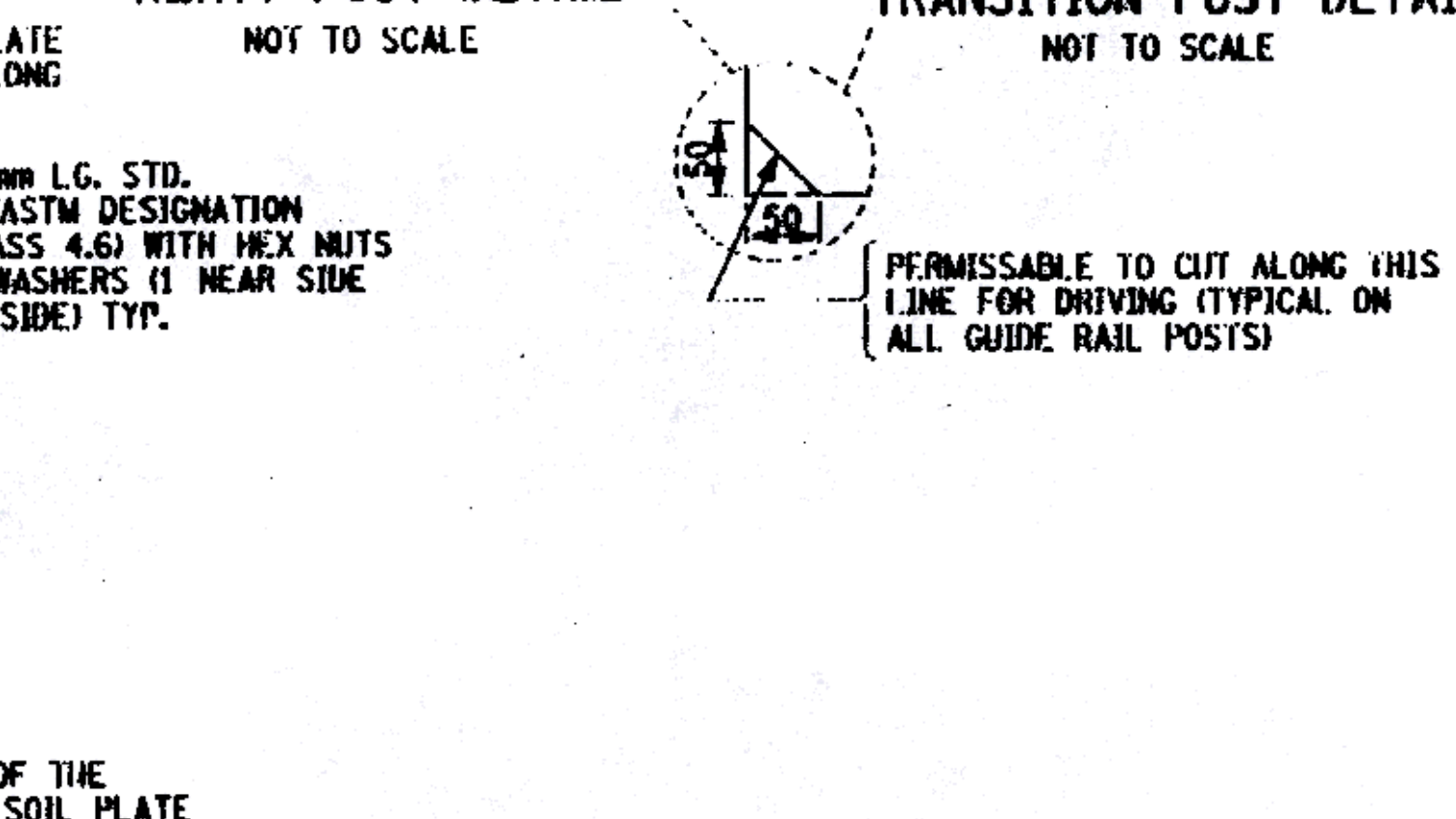
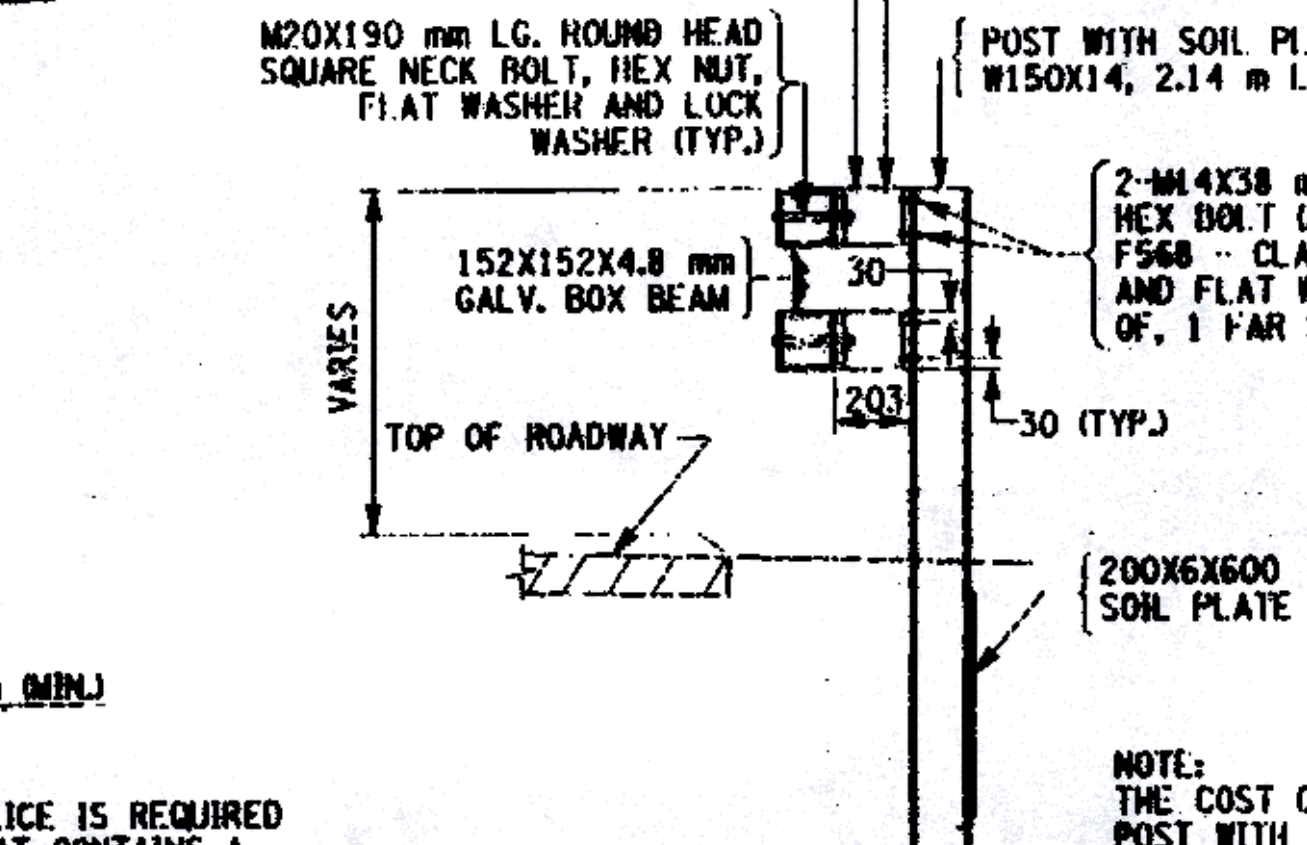
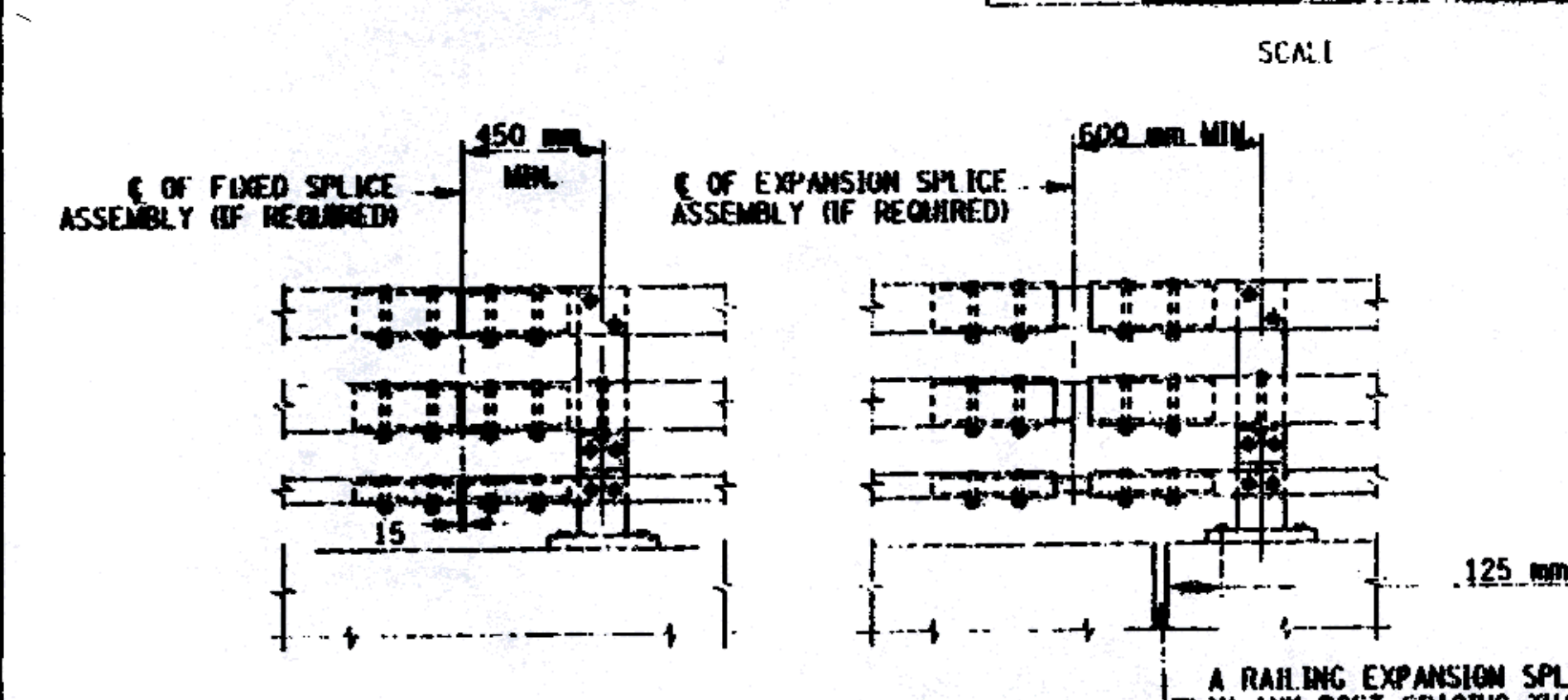
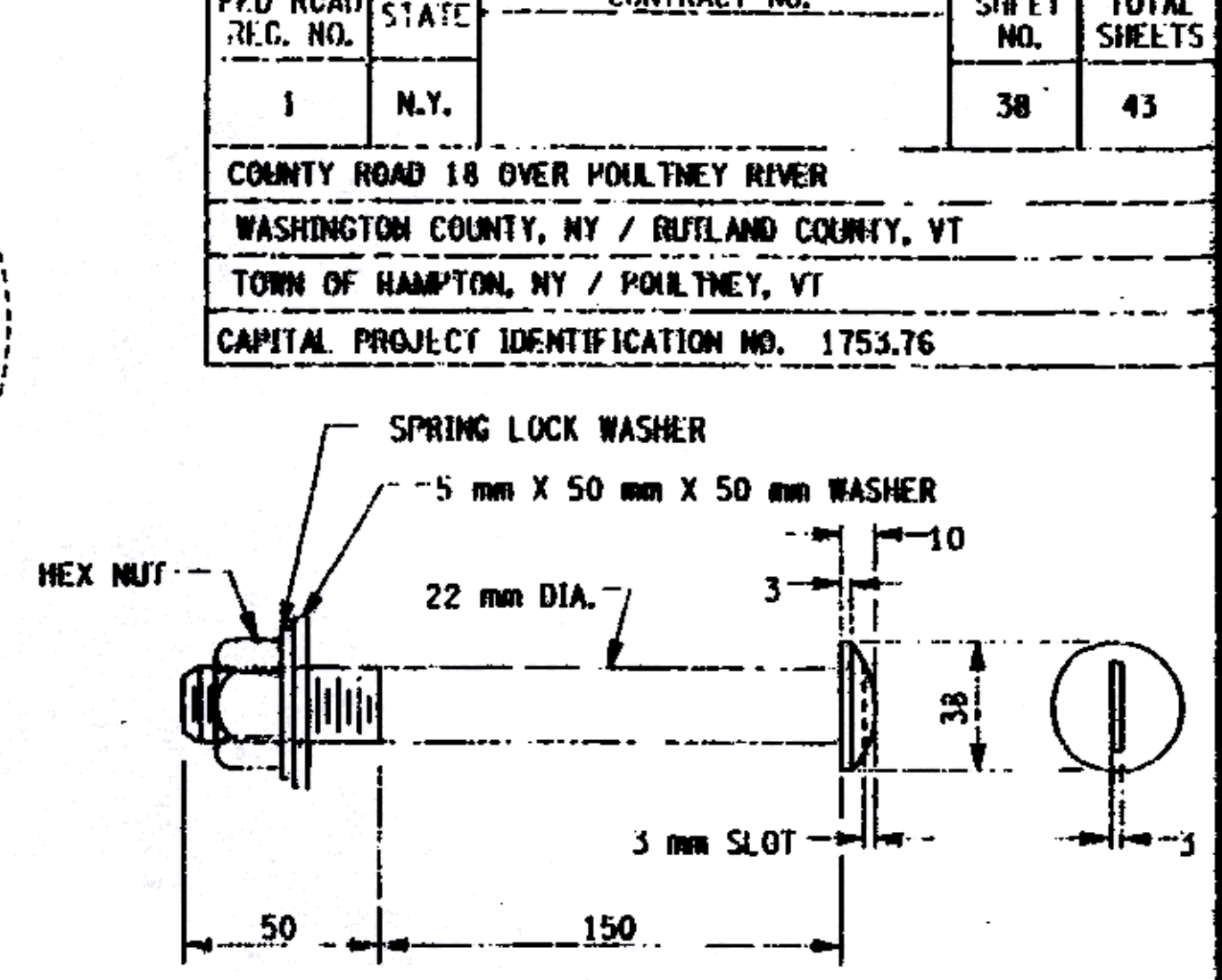
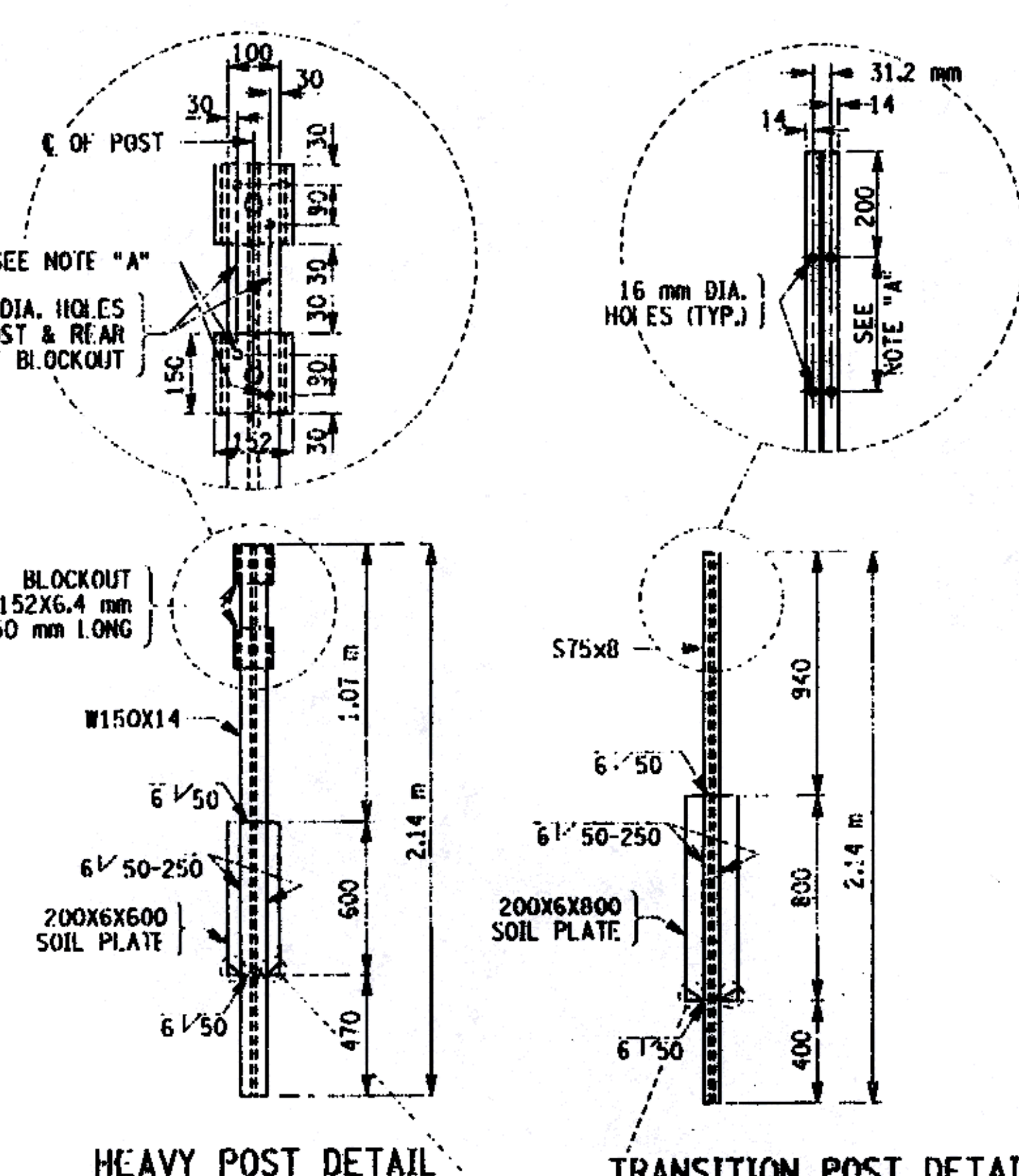
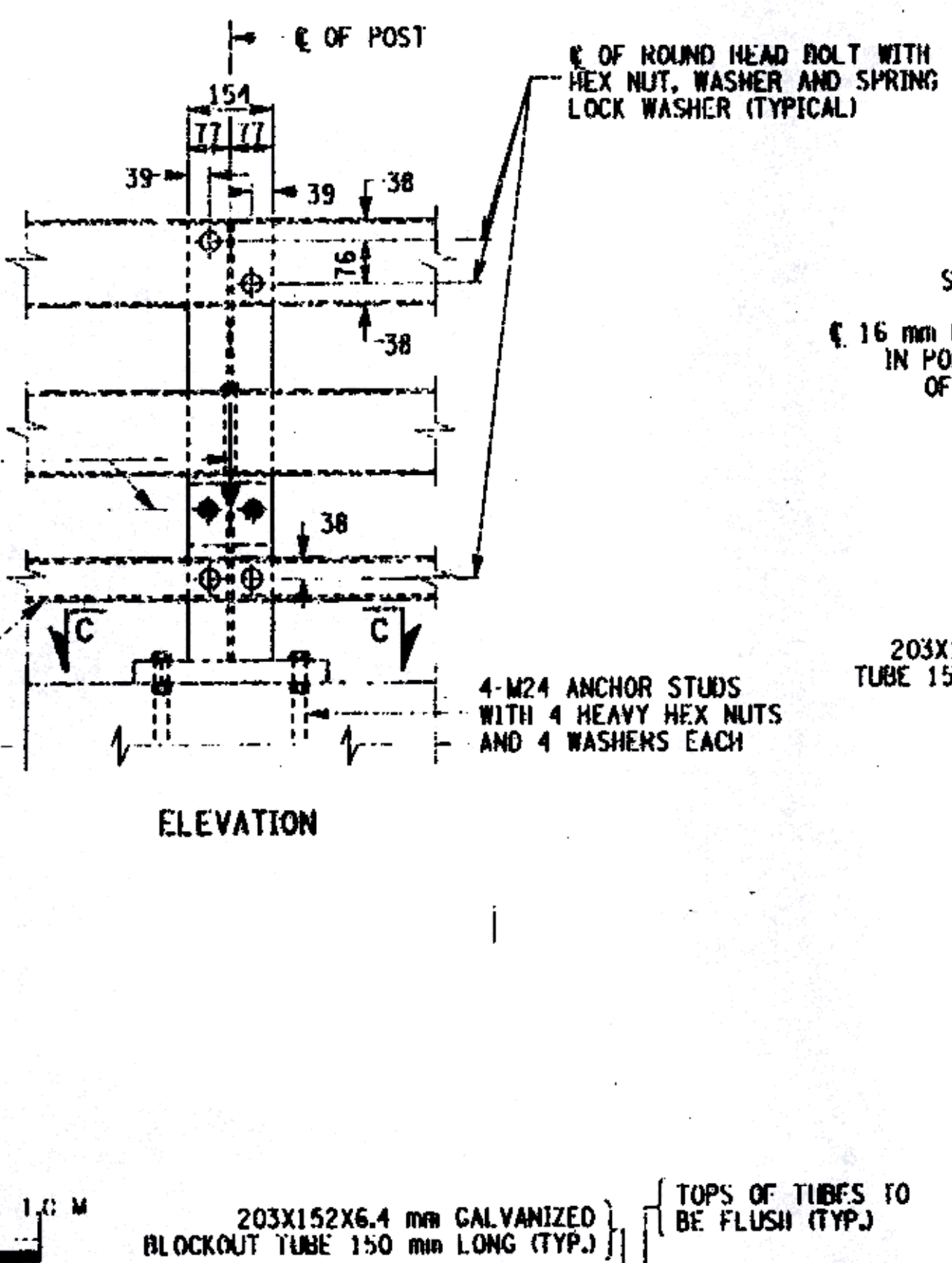
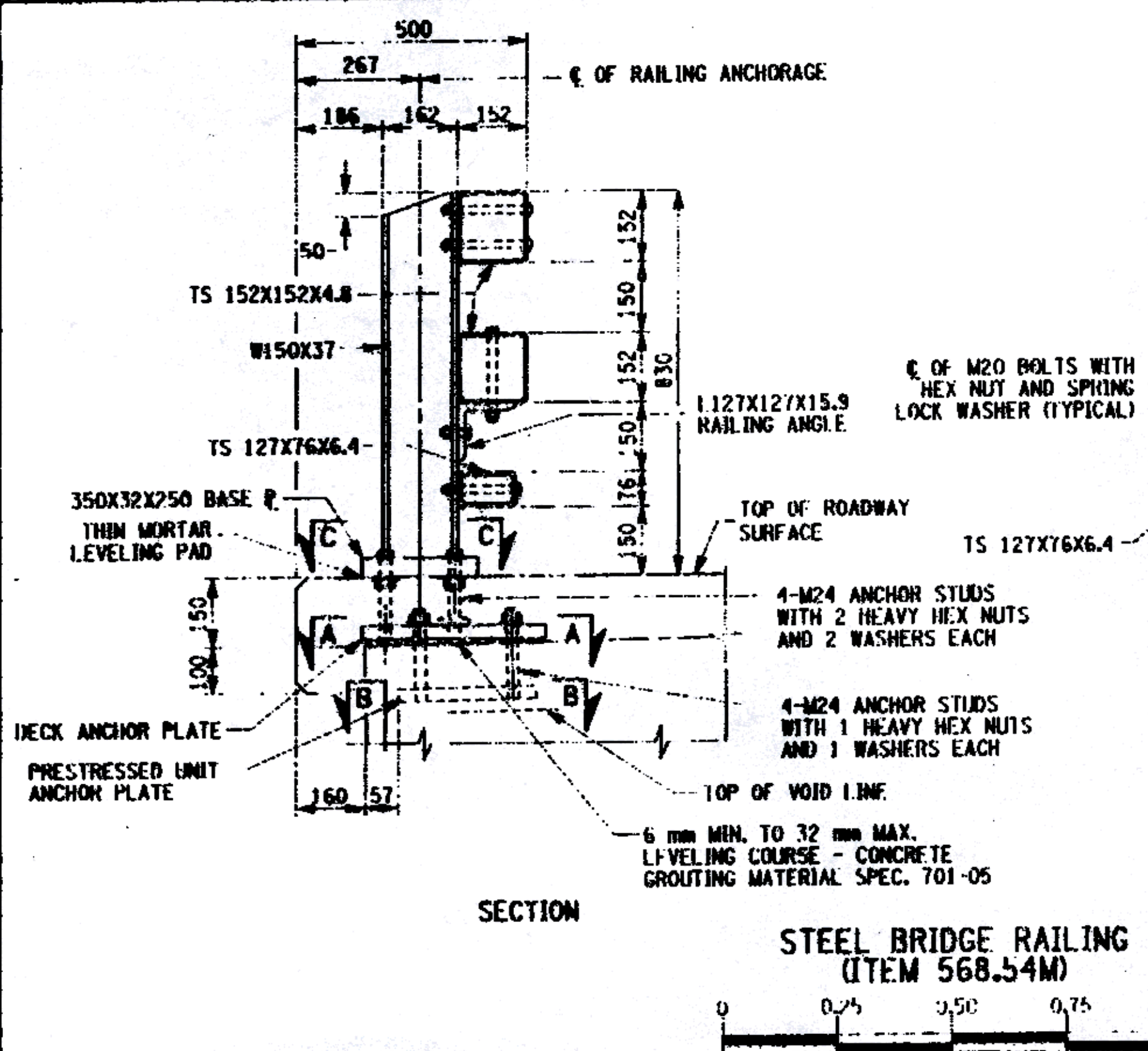


FED ROAD DIST. NO.	STATE	CONTRACT NO.	SHEET NO.	TOTAL SHEETS
1	N.Y.		38	43
COUNTY ROAD 18 OVER POULTNEY RIVER				
WASHINGTON COUNTY, NY / RUTLAND COUNTY, VT				
TOWN OF HAMPTON, NY / POULTNEY, VT				
CAPITAL PROJECT IDENTIFICATION NO. 1753.76				



DIMENSION	NE QUADRANT	SE QUADRANT
"A"	1.170m	1.320m
"B"	560	716
"C"	685	760
"D"	900	600

AS BUILT: NO REVISIONS 9/2003

NOTE "A"
HOLES IN THE POST FOR THE LOWER RAIL MAY BE LOCATED AND DRILLED IN THE FIELD. IF SO, THE GALVANIZING SHALL BE REPAIRED IN ACCORDANCE WITH SUBSECTION 719-01.

NOTES:
ALL RAILING IS TO BE FABRICATED AND ERECTED ACCORDING TO SECTION 568 OF THE STANDARD SPECIFICATIONS.
PRIOR TO GALVANIZING THE ASSEMBLED POST, GRIND ALL EDGES TO A MINIMUM RADIUS OF 2 mm.
BOLTS SHALL BE TORQUED SNUG TIGHT (APPROXIMATELY 135 N-m).

ALL DIMENSIONS ARE IN mm UNLESS OTHERWISE NOTED
AS BUILT REVISIONS

Signature 9/2003
SIGNATURE DATE

COUNTY ROAD 18 OVER POULTNEY RIVER
BRIDGE RAIL
(SHEET 2 OF 4)
WASHINGTON COUNTY
DEPARTMENT OF PUBLIC WORKS

FILENAME	REGION	DATE	DRAWING NO.
175376AAR1.D	ONE	3/2002	ST-22

FILE NAME: I:\work\142887\CADD\AsBuilt\175376AAR1.D
DATE/TIME: 11/06/2003 10:12:00 AM
USER: RUN

DESIGNED BY: EKT
CHECKED BY: EKT
ESTIMATED BY: EKT
JOB MANAGER: EKT
DESIGN SUPERVISOR: EKT