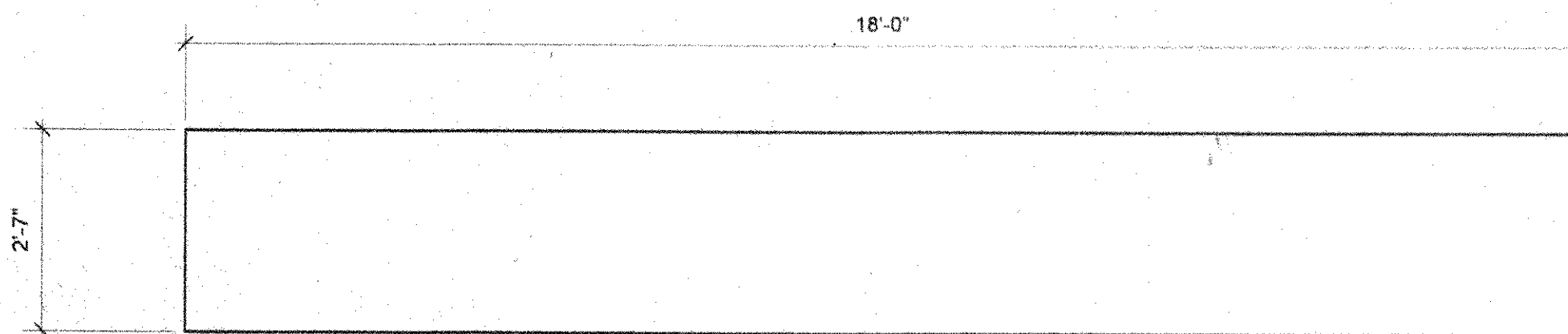


MK-F1 6 3/4" X 48" X 18'-0 28 REQ'D COMB. 48 APPROX. WT. = 1800#



MK-F2 6 3/4" X 31" X 18'-0 1 REQ'D COMB. 48 APPROX. WT. = 1200#

LAMINATED CONCEPTS INC. LIST OF LAMINATED TIMBER MATERIALS

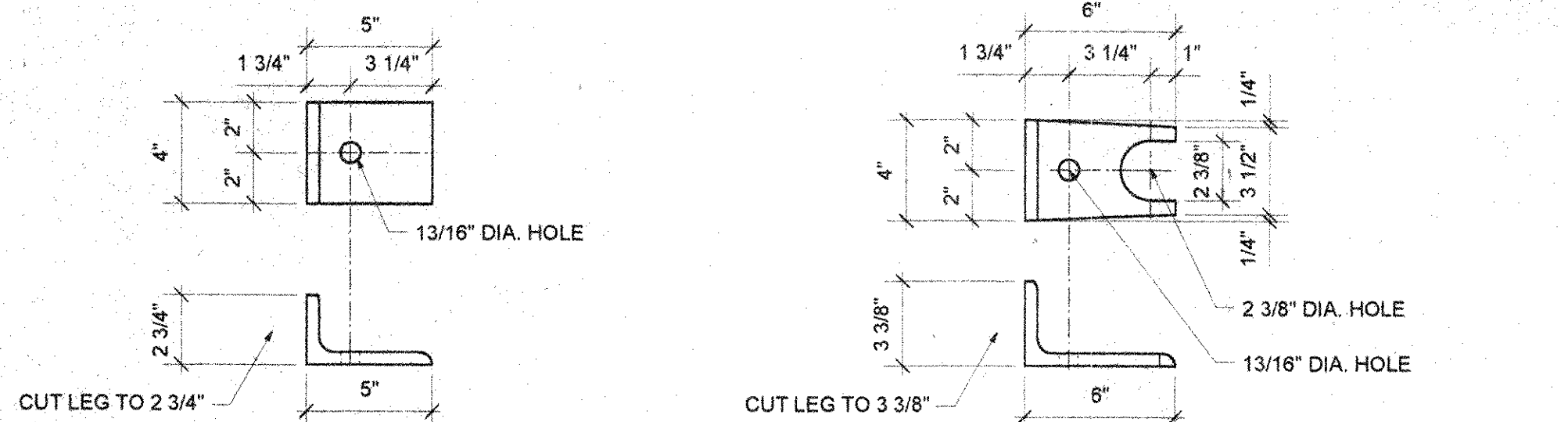
02 07 115 TD		Thetford, VT Covered Bridge							
qty	mk#	width	depth	length		grade	species	remarks	bl lot
				ft	in				
28	F1	6.75	48	18	0	COMB. 48	SYP		13608.00
1	F2	6.75	31	18	0	COMB. 48	SYP		313.87

LAMINATED CONCEPTS INC. LIST OF HARDWARE MATERIALS

02 07 115 TD		Thetford, VT Covered Bridge							
bolts		description	qty	dia.	gr.	wh.	wt.	n.	type
		Deck to steel	448	3/4"	11"	P	F	1	Hex Head Bolts
			16	3/4"	12"	P	F	1	Hex Head Bolts
			470	3/4"					2" Dia. Flat Washers
			950	3/4"					Hex Nuts

NOTE: wh = washer type at bolt head, wn = washer type at nut, n = nuts, washer type (T = Timber / F = Flat / P = Plate / D = Dock)

steel		description	qty	thk.	width	length	type
		Deck Clips C1 5" x 5"	448	1/2"	4"		Angle
		Deck Clips C2 6" x 3 1/2"	16	1/2"	4"		Angle
		Plate Washers	470	1/4"	1 1/2" dia.		Plate



DECK CLIP C1 5" X 5" X 1/2" ANGLE 4" LG. 448 REQ'D DECK CLIP C2 6" X 3 1/2" X 1/2" ANGLE 4" LG. 16 REQ'D

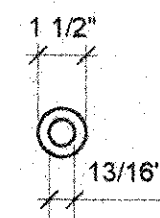
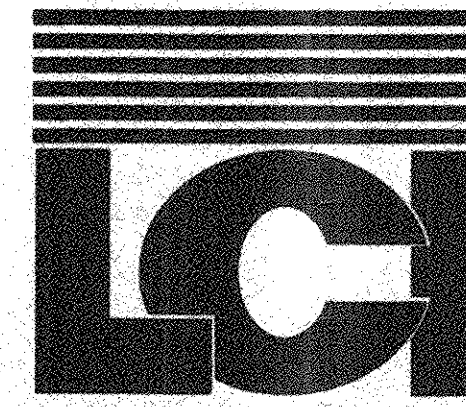


PLATE WASH 1/4" X 1 1/2" DIA. 470 REQ'D

RECEIVED
 CK'D BY SSS CK'D BY MEM
 MAR 08 2007
 RESUBMIT APPROVED
 BY DATE 3/9/07



P.O. BOX 369
 3310 STATE RTE 352
 BIG FLATS, NEW YORK 14814
 PHONE: 607.562.8110
 FAX: 607.562.8105

DRAWN	MSS	DATE	REVISIONS			
			NO.	DATE	BY	REVISIONS
		1/31/07	1	2/26/07	SS	ADD WASHERS
CHK'D						
APP'D						
SCALE						

PROJECT NAME	THETFORD BHO 1444 (43) THETFORD BRIDGE NO. 27 TOWN HIGHWAY 6 TOWN OF THETFORD CENTER COUNTY OF ORANGE, VERMONT	PROJECT JOB NO.	0207-115-LT
PREPARED FOR	ALPINE CONSTRUCTION, LLC SCHUYLERVILLE, NY	SHEET NO.	2 OF 2

LAMINATED CONCEPTS INC.