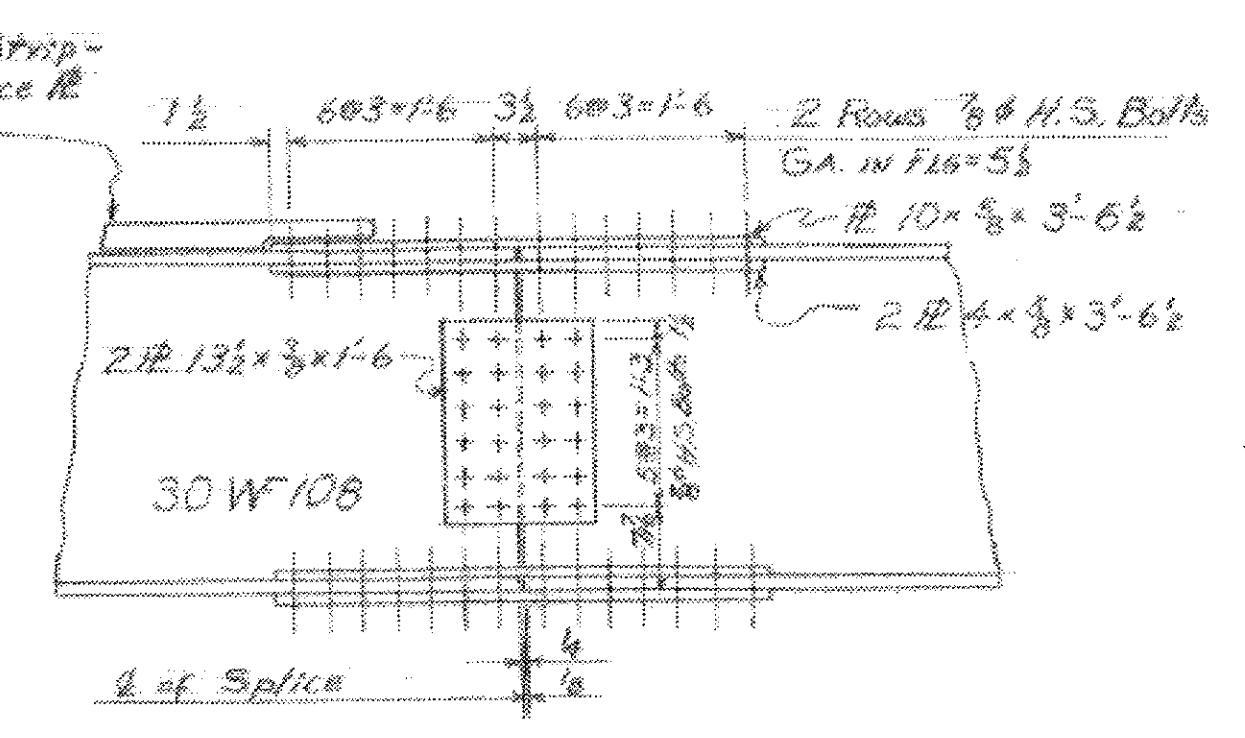
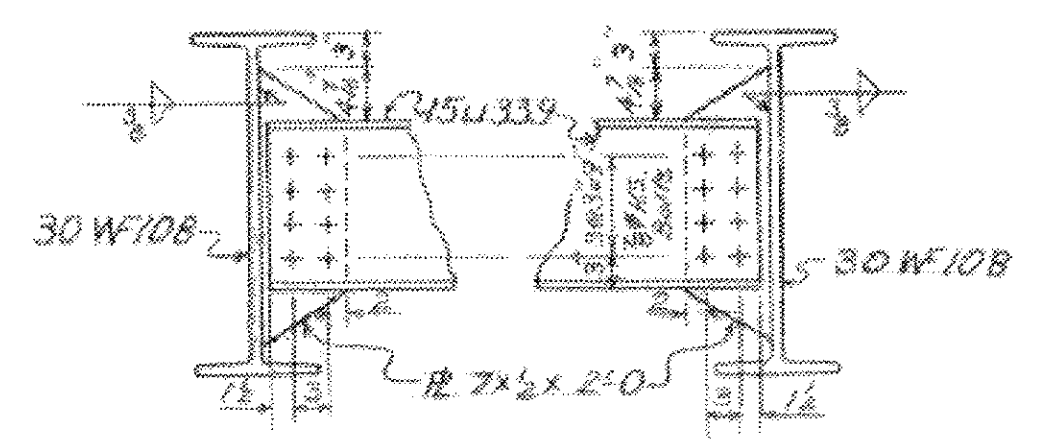


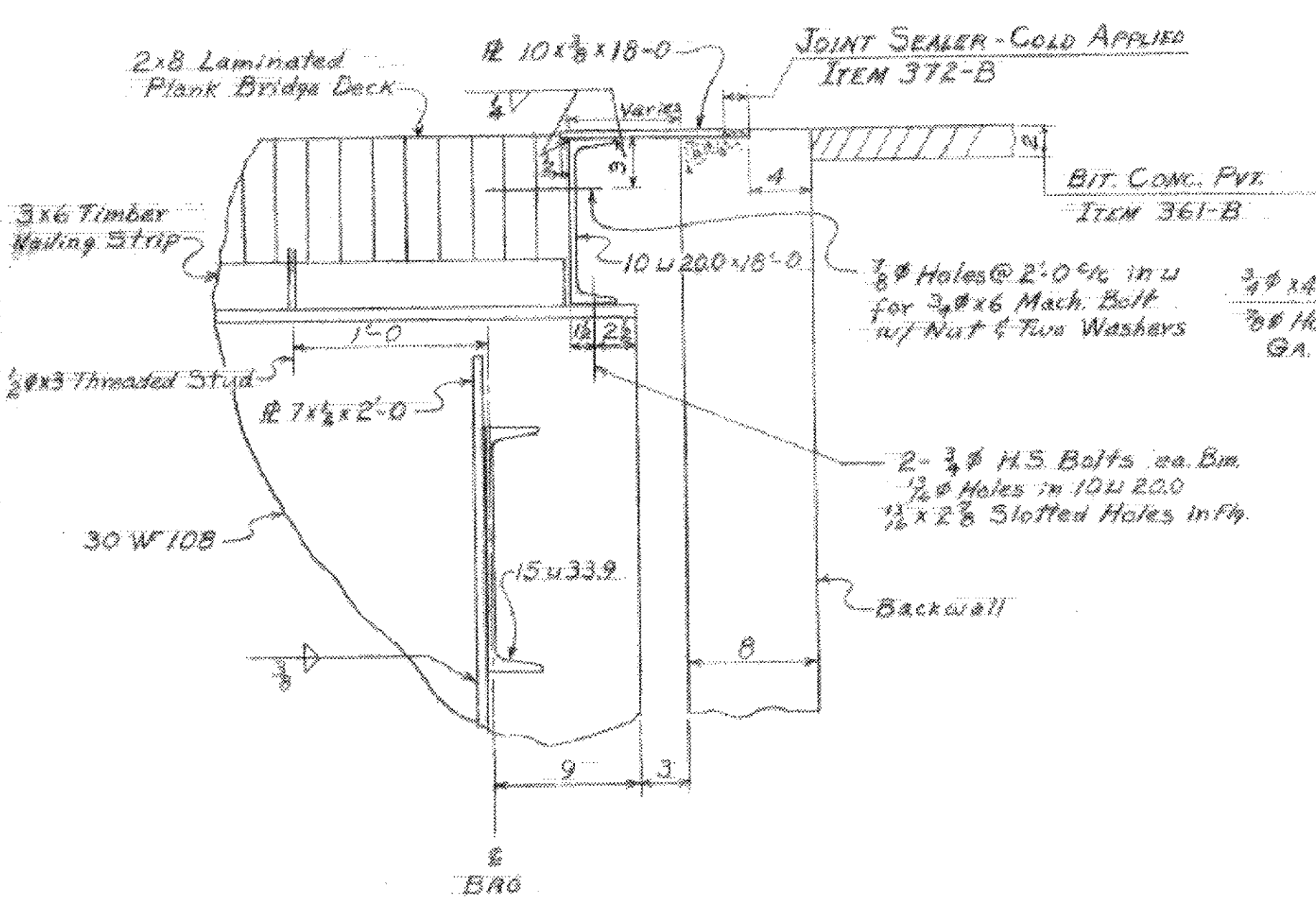
FRAMING PLAN
Scale 1/8" = 1'-0"



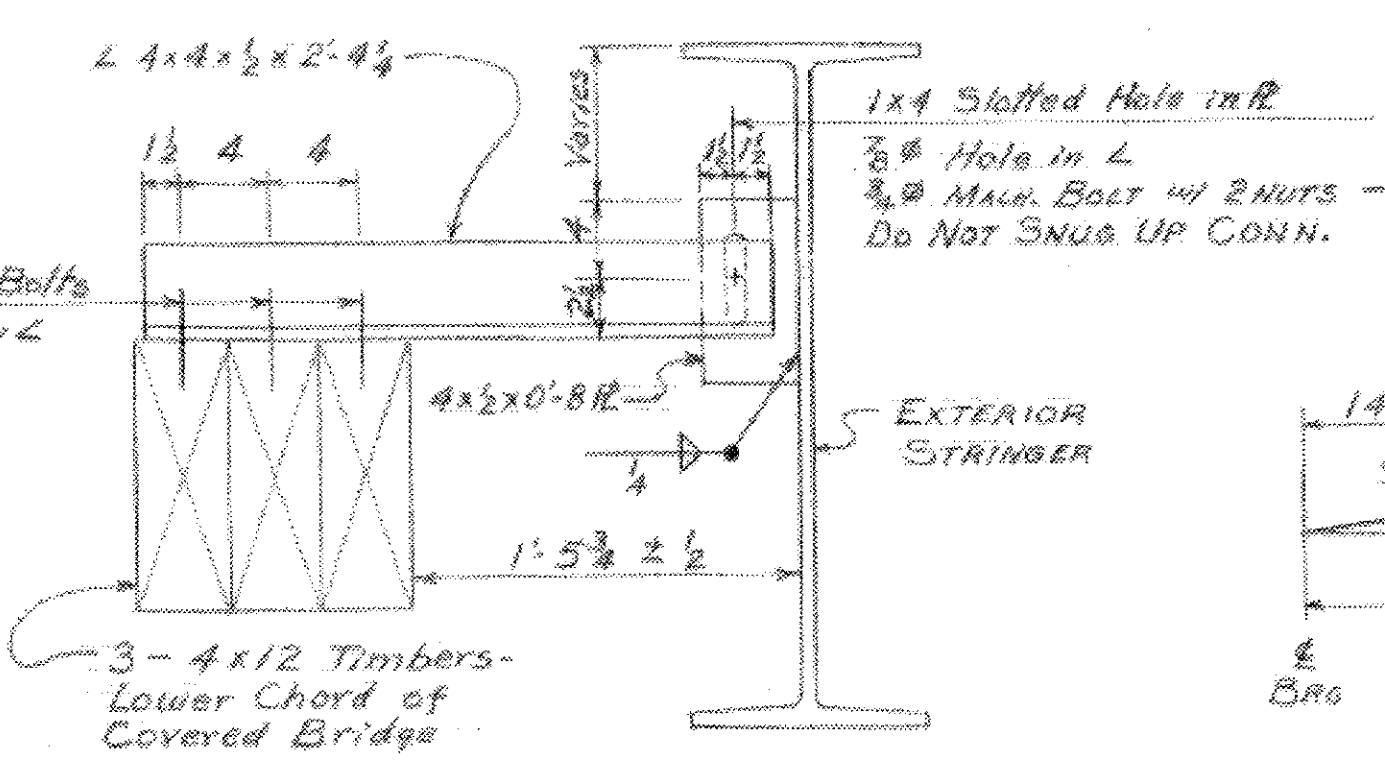
FIELD SPLICE
Scale 3/4" = 1'-0"



TYPICAL
DIAPHRAGM DETAILS
Scale 3/4" = 1'-0"

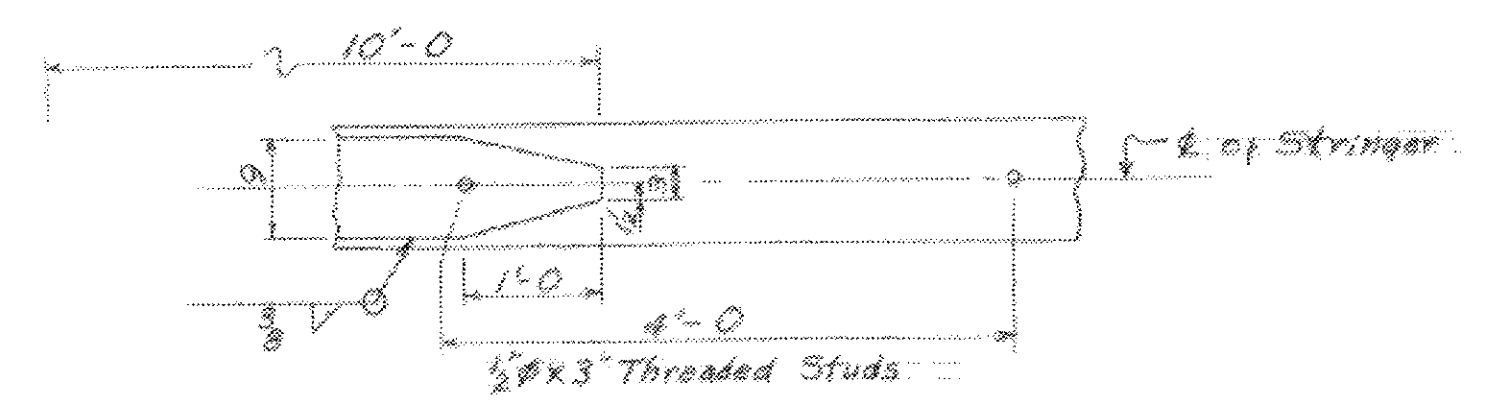


SECTION A-A
Scale 1/2" = 1'-0"

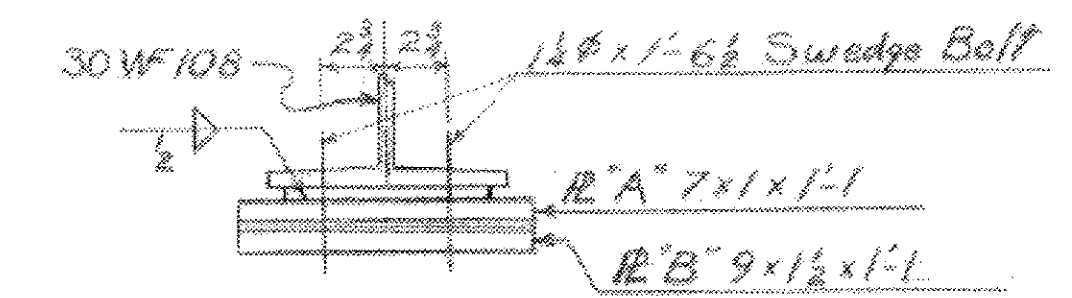


LATERAL BRACE
Scale 1 1/2" = 1'-0"

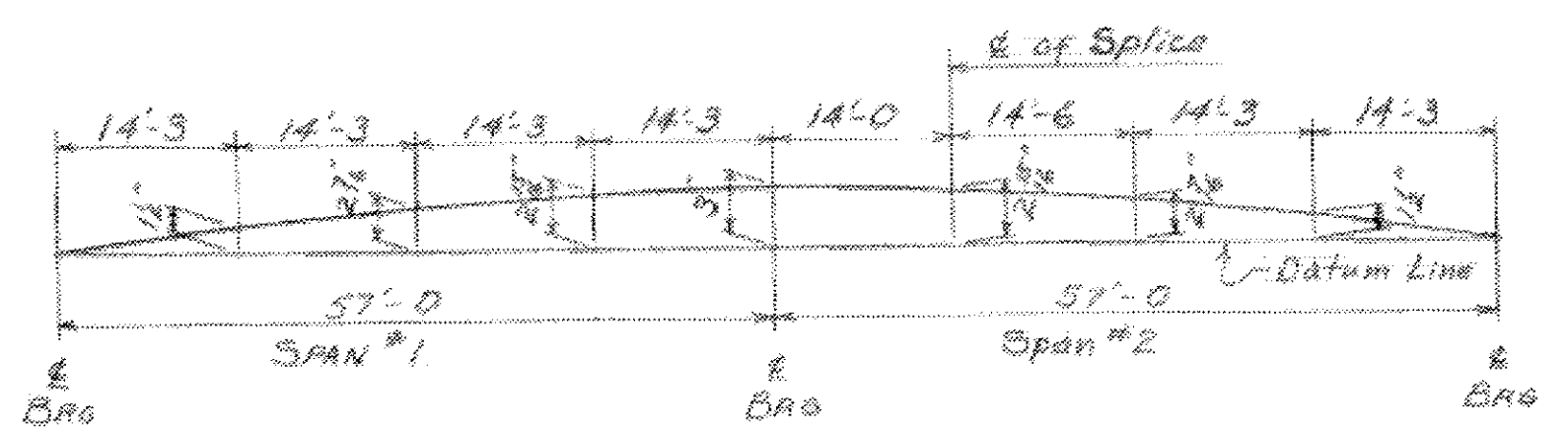
BRACE MID-WAY BETWEEN AND AT EACH DIAPHRAGM LOCATION (26 Req'd)



COVER PLATE DETAIL
Scale 3/4" = 1'-0"



BEARINGS @ PIER
Scale 1 1/2" = 1'-0"
For Details Not Shown See SCB-D8-62 (A)



CAMBER DIAGRAM
NO SCALE

NOTES

- All structural steel shall conform to ASTM Designation A36-62T. Shop drawings of the steel details shall be submitted to the State of Vermont, Department of Highways for approval.
- Unless otherwise noted all bolts shall be High-Strength conforming to ASTM Designation A325.
- Final Field Coat of paint shall be Dark Gray. Spraying of Shop Coat will be permitted.
- Distances are measured horizontally or vertically.
- Stringers are designed for H20-44 loading with 7 1/2" concrete deck. Laminated wood floor is designed for H15-44 loading.

ITEM NO.	ITEM	UNIT	NET	OVERRUN	TOTAL	FINAL
106-A	CHAN EXCAV. OF EARTH	C Y				
106-B	CHAN EXCAV. OF ROCK	C Y				
106-C	UNCLASS. CHAN. EXCAV.	C Y				
107	STRUCT. EXCAV.	C Y				
401-B	CONC. CLASS B (MOD.1)	C Y				
402	REINF. STEEL	LBS.				
407	ASPHALTIC ASB. COATING	S F				
502-B	TREATED TIMBER PILING	L F				
503	SPLICERS FOR STEEL PILING	EA.				
504	STEEL PILING	L F				
502-A	UNTREATED TIMBER PILING	L F				
404-A	STRUCTURAL STEEL	LBS.			62,700	61,576

STATE OF VERMONT
DEPARTMENT OF HIGHWAYS

TOWN OF THETFORD
ROAD NO. 27 BRIDGE NO. 29
FRAMING PLAN & STEEL DETAILS

SCALE AS NOTED
SURVEYED BY FALL
DRAWN BY RIM-25-4 CHECKED BY RND
PROJECT NO. TF 26-1961
SHEET 3 OF 10