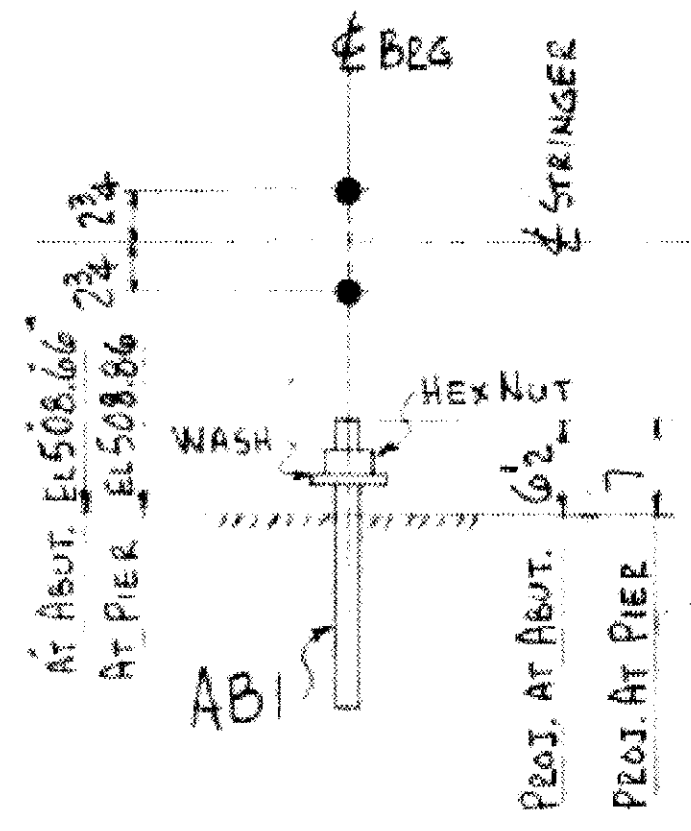


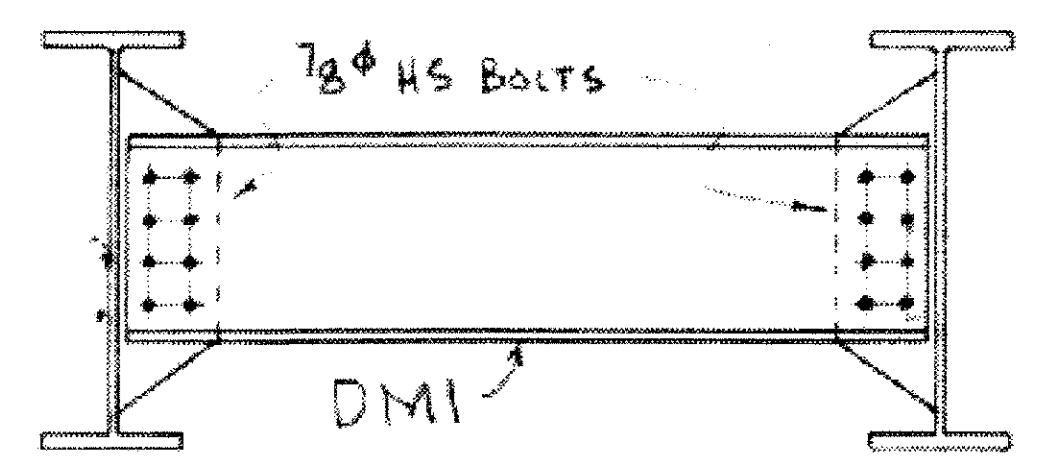
FRAMING PLAN

ALL DIAPHRAGMS ARE 15E33.9 - MARK-DMI

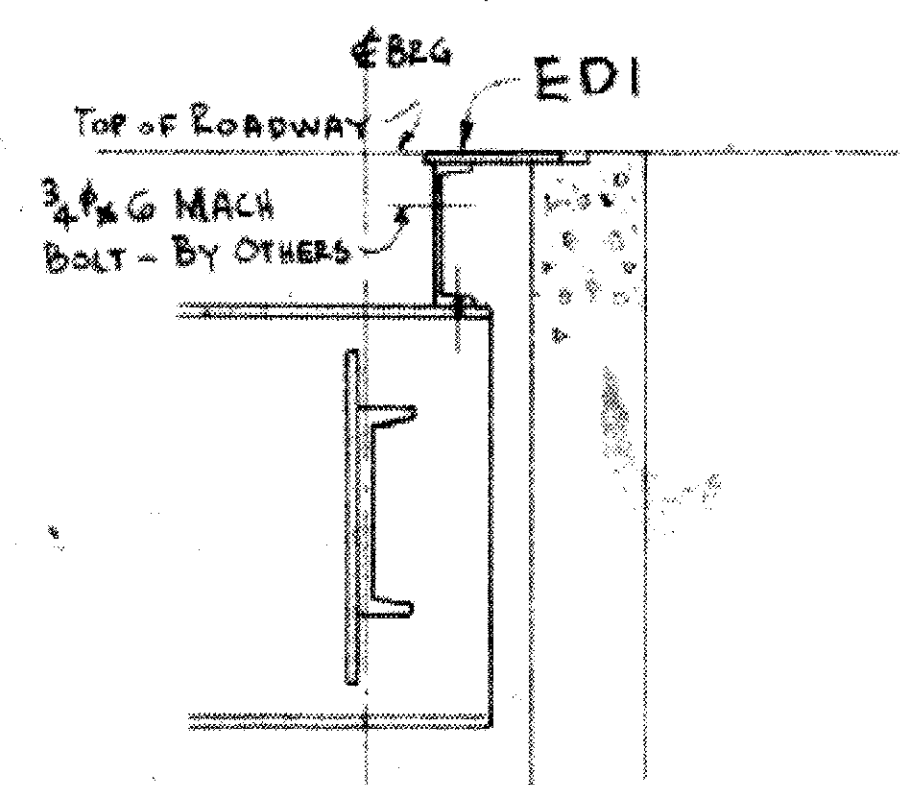
- FIELD CONN - 8 #8 BOLTS FOR STRINGER SPlice & DIAPHRAGM CONN.
 3 # HS BOLTS FOR END DAM CONN.
 • FIELD WELD LATERAL BRACE AS SHOWN.



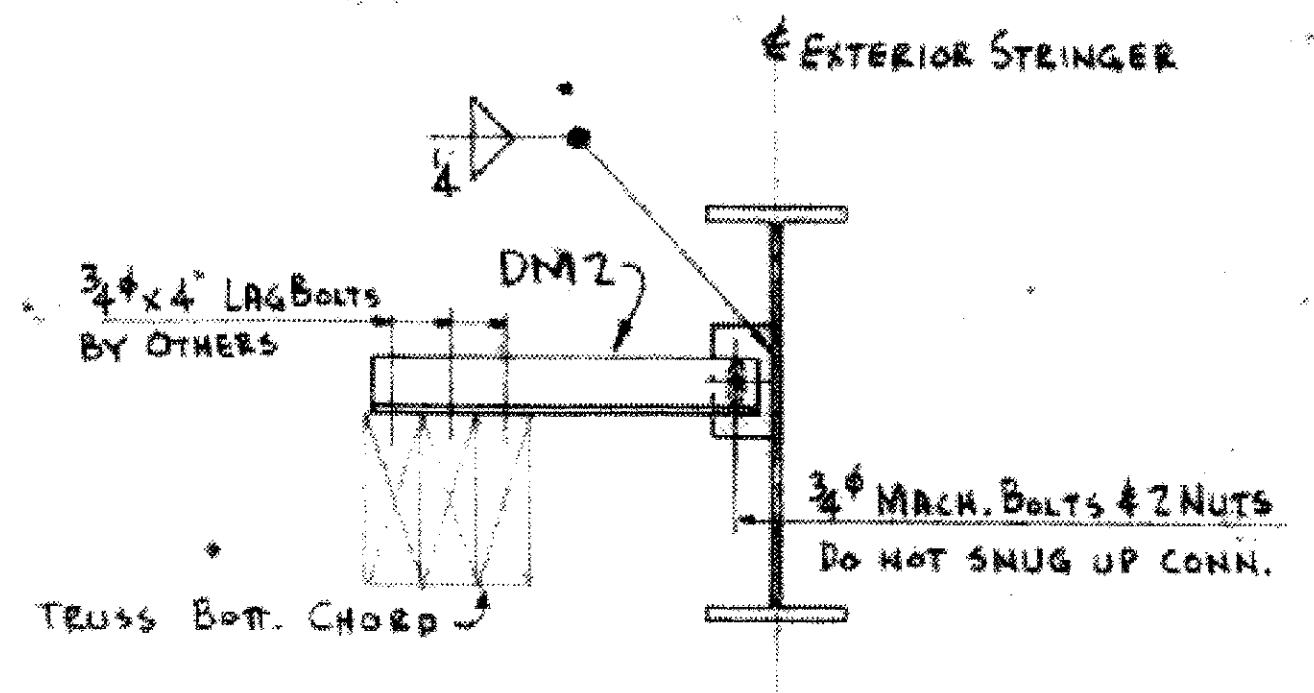
TYPICAL BEARING
SEE PLAN FOR SHOE MARKS



TYPICAL DIAPHRAGM DETAIL



END DAM DETAIL



LATERAL BRACE DETAIL

UNLESS OTHERWISE NOTED
 RIVETS.....
 BOLTS.....
 MOLES.....
 WELDS.....
 PAINT.....

A. LEO NASH STEEL CORP.		ALNASCO	
Fabricating - Warehousing		PHONE: 543-5257 CENTRAL BERKSHIRE BLVD PITTSFIELD, MASS	
OWNER STATE OF VERMONT			
STRUCTURE COVERED BRIDGE OVER OMPOMPANOOSUC RIVER			
LOCATION TOWN OF THETFORD, VERMONT			
ARCHITECT VT. DEPT. OF HIGHWAYS		CONTRACTOR OLSON CONST.	
OWN BY LB	CHK'D BY	DATE 8/2	DWG NO 371-E1